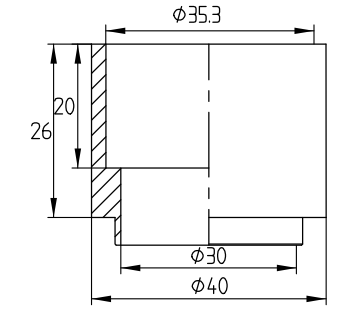
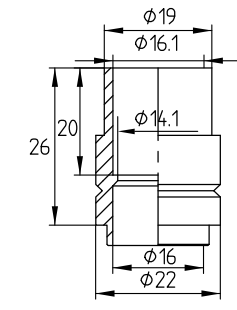
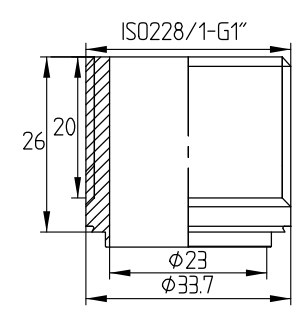


|                         |
|-------------------------|
| Q1-Q2                   |
| L1(W210)                |
| Screw-Thread Connection |

|                   |
|-------------------|
| Q3                |
| H5/8(D1161)       |
| Welded Connection |

|                   |
|-------------------|
| Q4                |
| H1 3/8(H3131)     |
| Welded Connection |



| ID | RIDAN Code | Drawing No. | Model | Plates(n) | A   | WEIGHT  | VOLUME              |
|----|------------|-------------|-------|-----------|-----|---------|---------------------|
| 1  | 021B4544R  | 2305481-01  | 052   | 46        | 116 | 10.9Kg  | Q1Q2:2.3L/Q3Q4:2.2L |
| 2  | 021B4545R  | 2305481-02  | 052   | 50        | 126 | 11.7Kg  | Q1Q2:2.5L/Q3Q4:2.4L |
| 3  | 021B4546R  | 2305481-03  | 052   | 60        | 149 | 13.66Kg | Q1Q2:3.0L/Q3Q4:2.9L |

| DESIGN DATA        |             |
|--------------------|-------------|
| DESIGN PRESSURE    | 3.0MPa      |
| TEST PRESSURE      | 4.5MPa      |
| DESIGN TEMPERATURE | -196/+225   |
| LEAKAGE TEST       | Helium Test |
| PLATE MATERIAL     | 316L        |
| PIPE MATERIAL      | 304         |
| FRAME MATERIAL     | 304         |

|                  |            |       |            |       |  |
|------------------|------------|-------|------------|-------|--|
| Assembly drawing | DEPARTMENT | Sales | DATE       | SCALE | <br>DESIGNATION RD-052-n-3.0-HQ-Q1Q2(L1)/Q3(H5/8)/Q4(H1 3/8) |
|                  | DESIGNER   | JLN   | 2022/05/06 |       |  |
|                  | INSPECTOR  | ZJF   | 2022/05/06 |       |  |
|                  | APPROVAL   | FL    | 2022/05/06 |       |  |
| DRAWING NO.      |            |       | 2305481    | REV   | 0  |