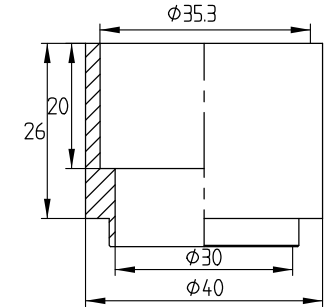
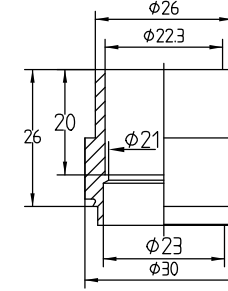
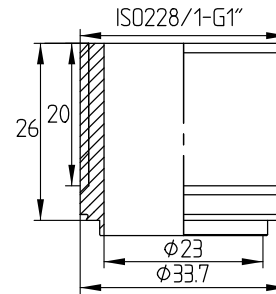


Q1-Q2
L1(W210)
Screw-Thread Connection


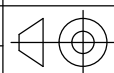
Q3
H7/8(H2075)
Welded Connection

Q4
H1"3/8(H3131)
Welded Connection



DESIGN DATA	
DESIGN PRESSURE	3.0MPa
TEST PRESSURE	4.5MPa
DESIGN TEMPERATURE	-196/+225
LEAKAGE TEST	Helium Test
PLATE MATERIAL	316L
PIPE MATERIAL	304
FRAME MATERIAL	304

ID	RIDAN Code	Drawing No.	Model	Plates(n)	A	WEIGHT	VOLUME
1	021B4547R	2305482	052	80	195	17.85Kg	Q1Q2:4L/Q3Q4:3.9L

assembly drawing	DEPARTMENT	Sales	DATE	SCALE	 DESIGNATION RD-052-80-3.0-HQ-Q1Q2(L1)/Q3(H7/8)/Q4(H1"3/8)
	DESIGNER	JLN	2022/05/06		
	INSPECTOR	ZJF	2022/05/06		