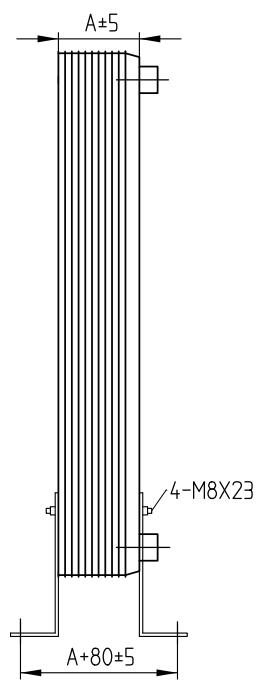
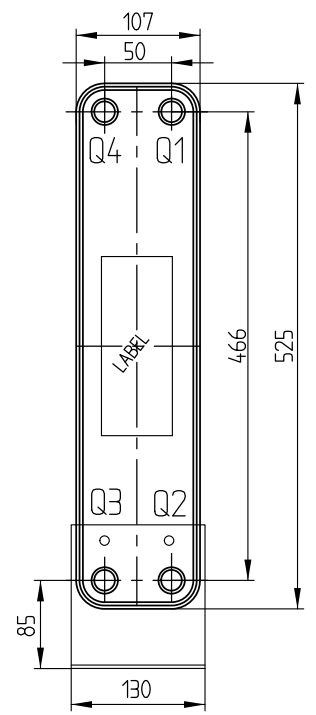
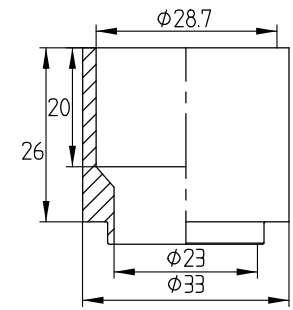
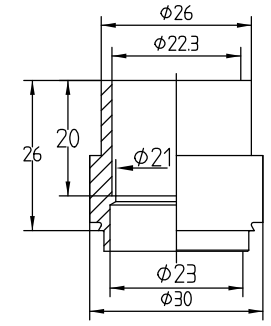
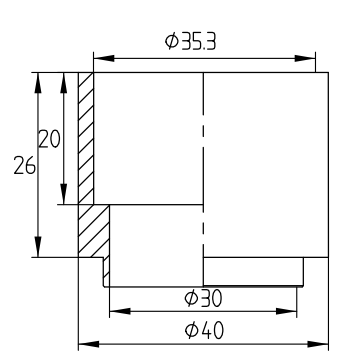


| |
|-------------------|
| Q1-Q2 |
| H1"3/8(H3131) |
| Welded Connection |

| |
|-------------------|
| Q3 |
| H7/8(H2075) |
| Welded Connection |

| |
|-------------------|
| Q4 |
| H1"1/8(H2116) |
| Welded Connection |



Note: Add unit foot

| DESIGN DATA | |
|--------------------|-------------|
| DESIGN PRESSURE | 3.0MPa |
| TEST PRESSURE | 4.5MPa |
| DESIGN TEMPERATURE | -196/+225 |
| LEAKAGE TEST | Helium Test |
| PLATE MATERIAL | 316L |
| PIPE MATERIAL | 304 |
| FRAME MATERIAL | 304 |

| ID | RIDAN Code | Drawing No. | Model | Plates(n) | A | WEIGHT | VOLUME |
|----|------------|-------------|-------|-----------|-----|---------|---------------------|
| 1 | 021H8700R | 2305529 | 052 | 50 | 126 | 12.56Kg | Q1Q2:2.5L/Q3Q4:2.4L |

| | | | | | | | | |
|------------------|------------|-------|------|------------|-------------|--|--|---------|
| Assembly drawing | DEPARTMENT | Sales | DATE | 2022/05/06 | SCALE | | | |
| | DESIGNER | JLN | DATE | 2022/05/06 | | | | |
| | INSPECTOR | Z JF | DATE | 2022/05/06 | DRAWING NO. | | | 2305529 |
| | APPROVAL | FL | DATE | 2022/05/06 | | | | |

DESIGNATION RD-052-50-3.0-HQ-Q1Q2(H1"3/8)/Q3(H7/8)/Q4(H1"1/8)/4-M8*23