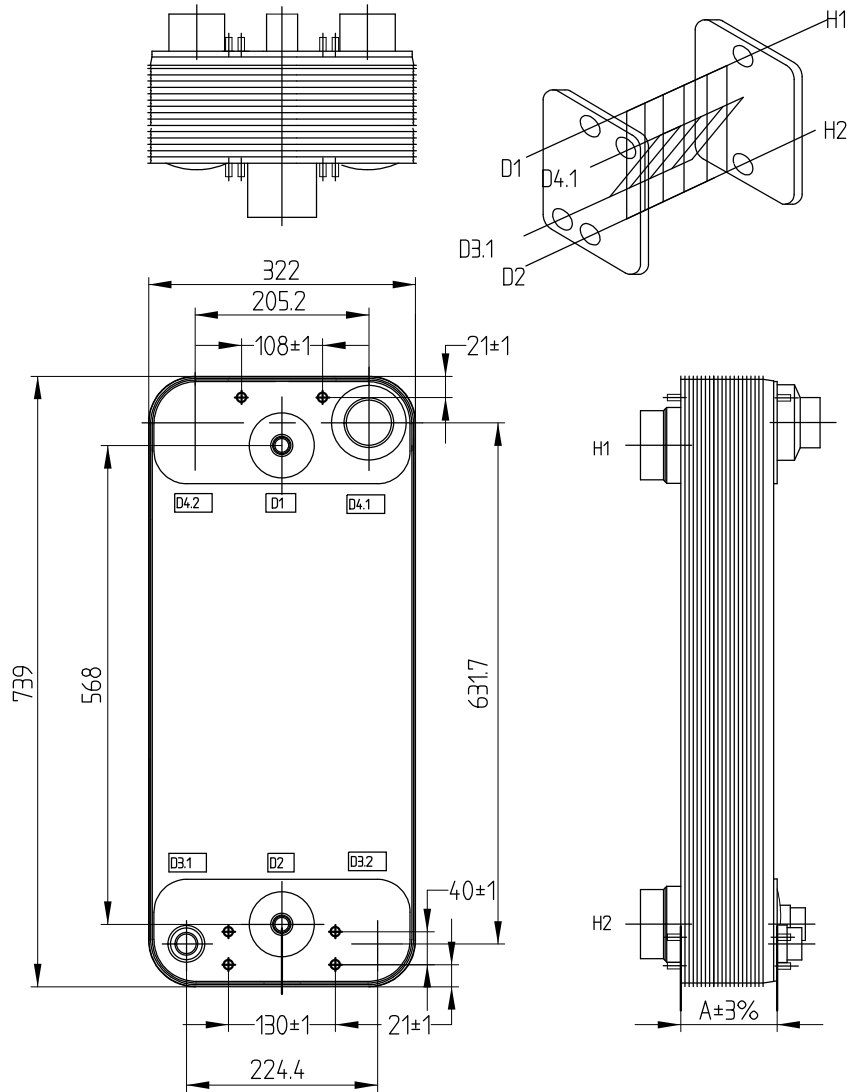


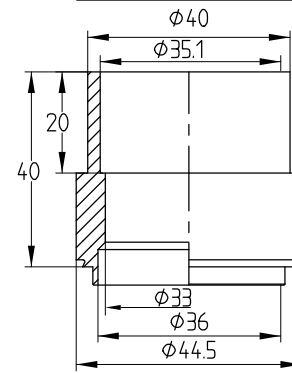
CONTROLLED



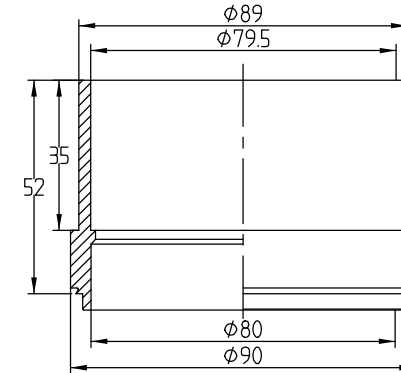
Note : front and back side frame with 12-M10X25 bolts

ID	RIDAN Code	Drawing No.	Model	Plates(n)	A	WEIGHT	VOLUME
1	021H8495R	2306137	210	158	420	126.76Kg	H1H2:39.5L/Q3Q6:39L

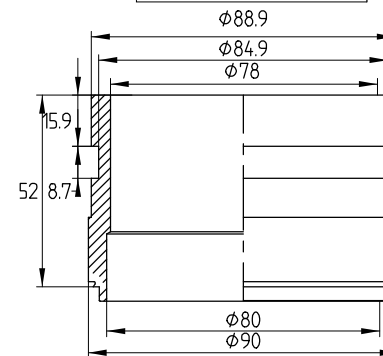
Q3
H1"3/8(H4138)
Welded
Connection



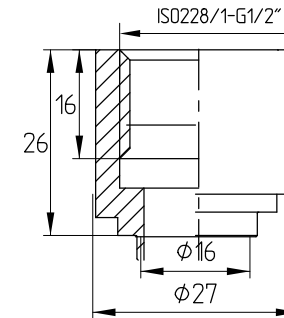
Q6
H3"1/8(L8312)
Welded
Connection



H1-H2
H3"1/8(LJ830)
Victaulic
Connection



Q1-Q2
N1/2(N104)
Thread
Connection



DESIGN DATA	
DESIGN PRESSURE	3.0MPa
TEST PRESSURE	4.5MPa
DESIGN TEMPERATURE	-196/+225
LEAKAGE TEST	Helium Test
PLATE MATERIAL	316L
PIPE MATERIAL	304
FRAME MATERIAL	304

Assembly drawing	DEPARTMENT Sales	DATE	SCALE	 RD-210-158-3.0-HQ-Q1Q2(N DESIGNATION 1/2)/Q3(H1"3/8)/Q6(H3"1/8)/ H1H2(H3"1/8)/12-M10*25
	DESIGNER JLN	2022/06/06		
	INSPECTOR ZJF	2022/06/06		
	APPROVAL FL	2022/06/06	DRAWING NO.	
		2306137	REV	0