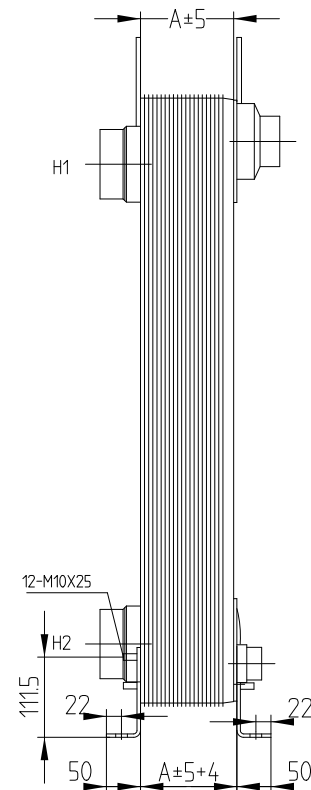
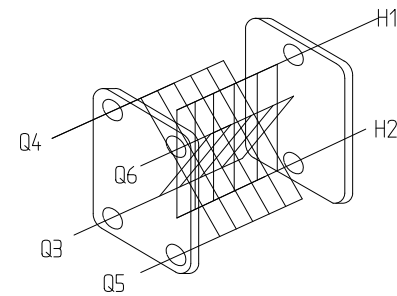
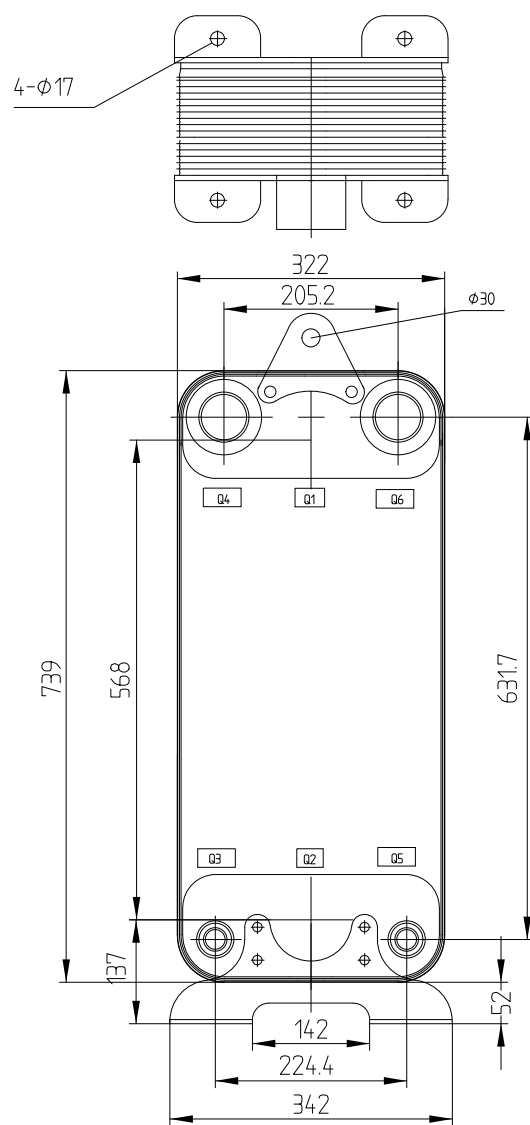
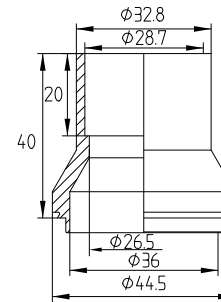


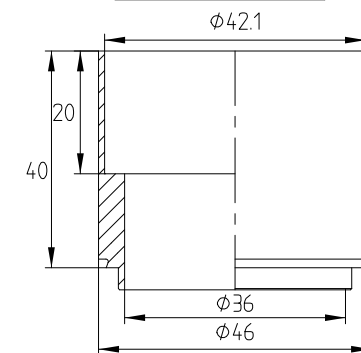
CONTROLLED



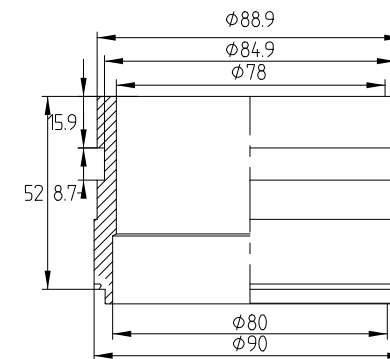
Q3-Q5
H1''1/8(H4114)
Welded
Connection



Q4-Q6
H1''5/8(H4152)
Welded
Connection




H1-H2
H3''1/8(LJ830)
Victaulic
Connection



ID	RIDAN Code	Drawing No.	Model	Plates(n)	A	WEIGHT	VOLUME
1	021H8344R	2306609	210	50	139	49Kg	H1H2:12.5L/Q3Q6:5.75L/Q4Q5:5.75L

DESIGN DATA	
DESIGN PRESSURE	3.0MPa
TEST PRESSURE	4.5MPa
DESIGN TEMPERATURE	-196/+225
LEAKAGE TEST	Helium Test
PLATE MATERIAL	316L
PIPE MATERIAL	304
FRAME MATERIAL	304

Assembly drawing	DEPARTMENT	Sales	DATE	2022/06/25	SCALE	1:1	 RD-210-50-3,0-HDQ- Q3Q5(H1''1/8)/Q4Q6(H1''5/8)/ H1H2(H3''1/8)/12-M10*25
	DESIGNER	JLN	DATE	2022/06/25	SCALE	1:1	
	INSPECTOR	ZJF	DATE	2022/06/25	SCALE	1:1	
	APPROVAL	FL	DATE	2022/06/25	SCALE	1:1	
DRAWING NO.		2306609		REV		0	