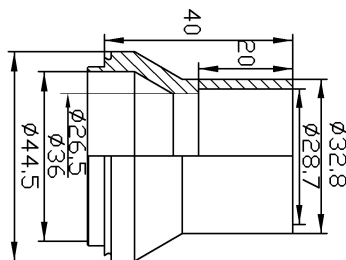
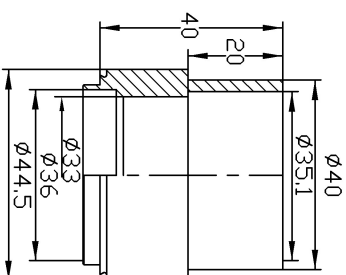


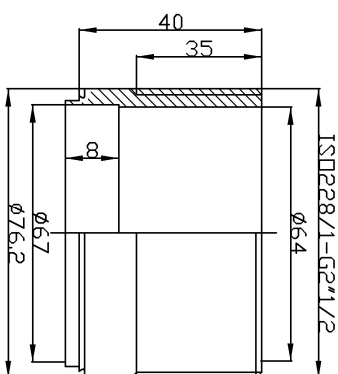
Q3	H1*1/8(H4114)
Solder connection	



Q4	H1*3/8(H4138)
Solder connection	



H1-H2	G2*1/2(W724)
Thread connection	



Note: Add feet

ID	RIDAN Code	Drawing No	Model	Plates(n)	A
1	021H0994R	2307527	095X	110	320

DESIGN DATA

DESIGN PRESSURE	3.0MPa
TEST PRESSURE	4.5MPa
DESIGN TEMPERATURE	-196/+225
LEAKAGE TEST	Helium Test
WEIGHT	45Kg
VOLUME	H1H2: 13.75L Q3Q4: 13.5L
PLATE MATERIAL	316L
PIPE MATERIAL	304
FRAME MATERIAL	304

Assembly drawing		DATE		SCALE	
DEPARTMENT	DESIGNER	2022/08/11	 RD-095X-110-3.0-H- RIDAN DESIGNATION Q3(H1*1/8)/Q4(H1*3/8)/ H1H2(GE*1/2)/4-M8*23		
Soles Department	JLN				
INSPECTOR	ZJF				
APPROVAL	FL		DRAWING NO.	2307527	REV 1