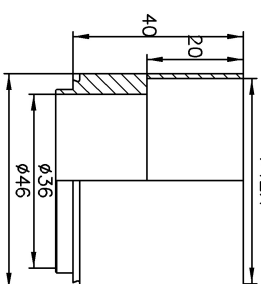
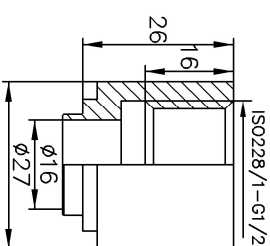


Q3-Q5
H7/8(H2075)
Solder
connection

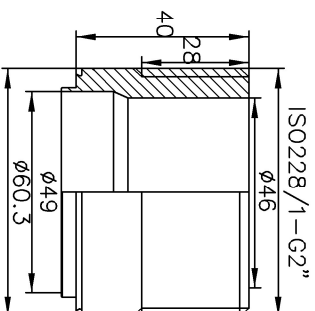


Q4-Q6
H1.5/8(H4152)
Solder
connection



Q1-Q2
N1/2(N104)
Thread
connection

H1-H2
L2(W520)
Thread
connection



ID	RIDAN Code	Drawing No.	Model	Plates(n)	A
1	021H2648R	2306886	113W	86	185

Note: Add feet

DESIGN PRESSURE	3.0MPa	DESIGN DATA
TEST PRESSURE	4.5MPa	
DESIGN TEMPERATURE	-196/+225	
LEAKAGE TEST	Helium Test	
WEIGHT	39Kg	
VOLUME	H1H2:8.6L Q4Q5:4.1L; Q3Q6:4.1L	
PLATE MATERIAL	316L	
PIPE MATERIAL	304	
FRAME MATERIAL	304	

DESIGNER	JLN	DATE	2022/07/08	SCALE	
INSPECTOR	ZJF				
APPROVAL	FL				
DEPARTMENT	Sales Department				
DRAWING NO.	2306886				
REV	1				



RIDAN RD-113W-86-30-HD0-
Q1Q2(N1/2)/Q3Q5(H7/8)/
Q4Q6(H1.5/8)/H1H2(L2)4-M9*23