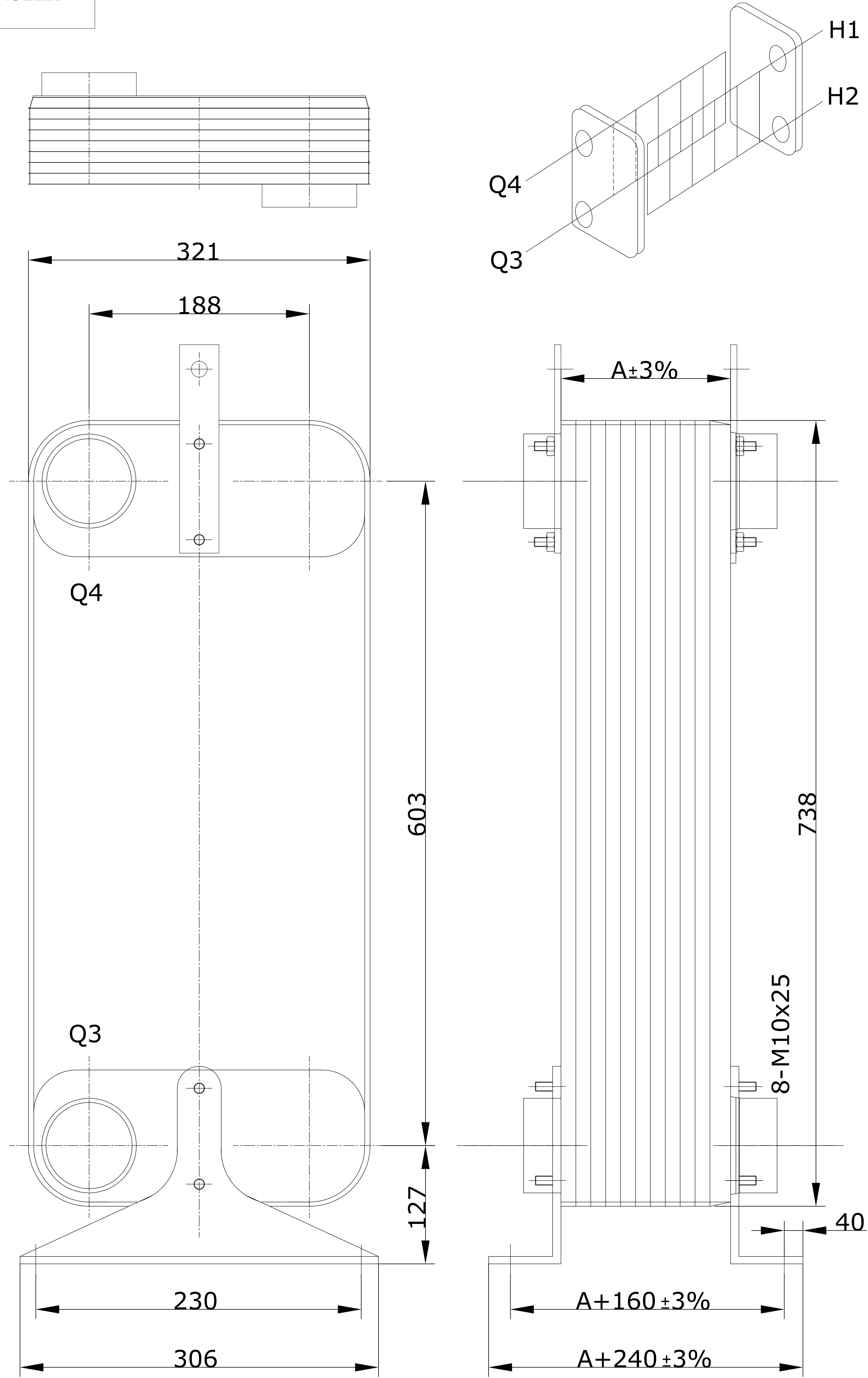
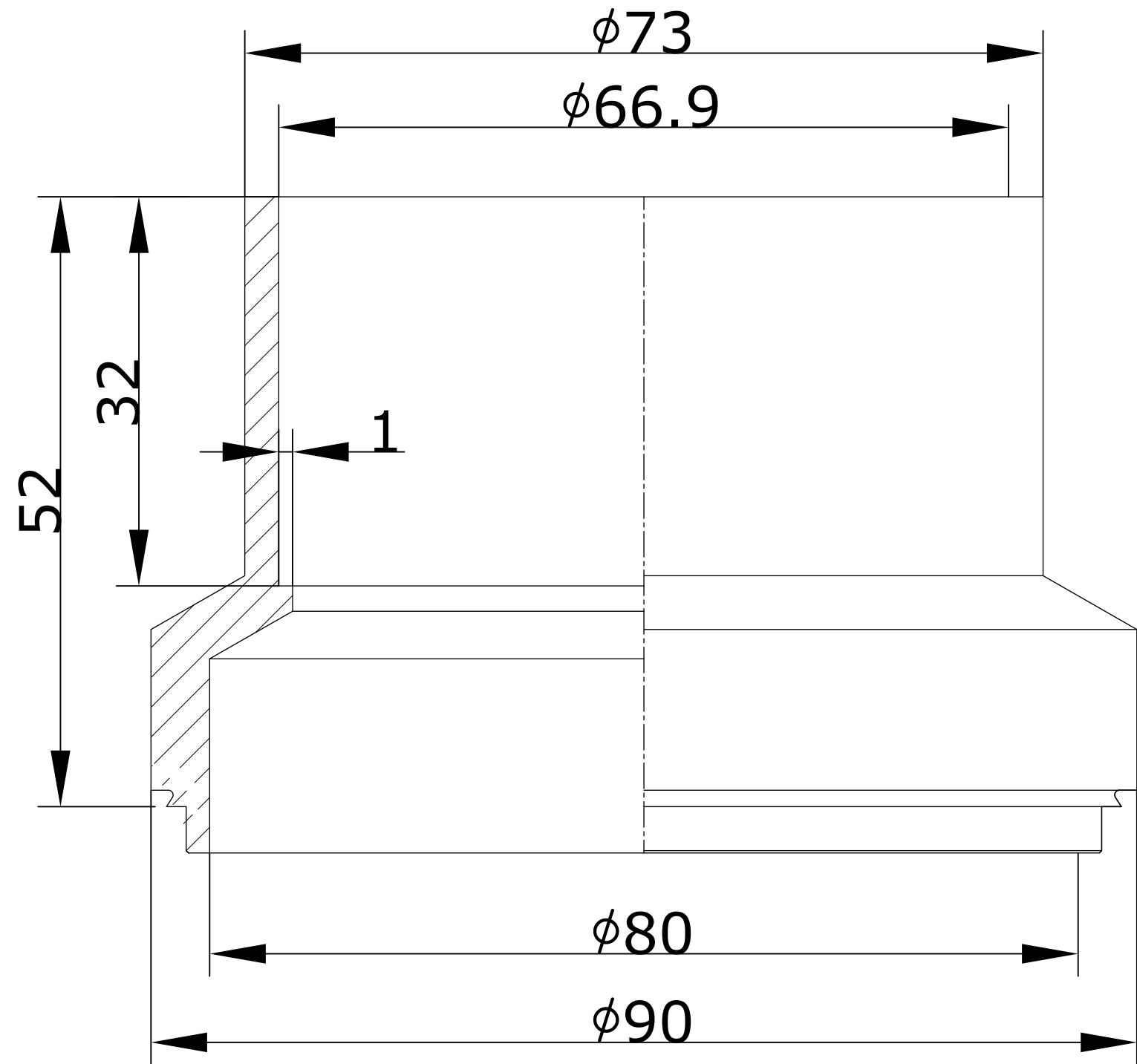


CONTROLLED

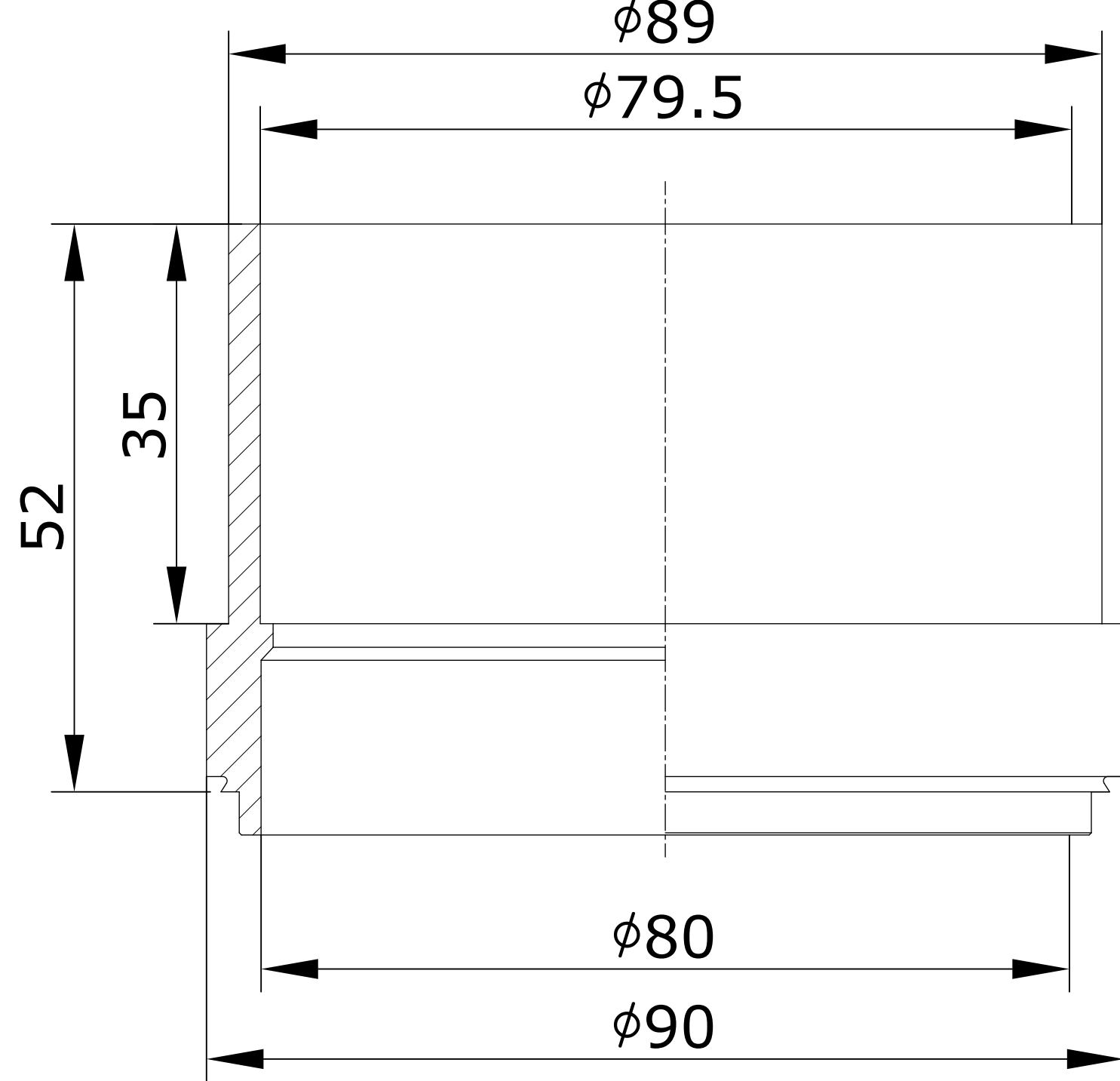


Note: Add feet

Q3-Q4
H2"5/8 (L825)
Solder connection



H1-H2
H3"1/8 (L8312)
Solder connection



ID	RIDAN Code	Drawing No.	Model	Plates(n)	A	Weight	Volume
1	111B2050R	23010692- 01	200	50	150	52Kg	H1H2:13.5L/Q3Q4:12.96L
2	111B2060R	23010692- 02	200	60	177	59Kg	H1H2:16.2L/D3D4:15.66L
3	111B2070R	23010692- 03	200	70	205	66Kg	H1H2:18.9L/Q3Q4:18.36L
4	111B2080R	23010692- 04	200	80	232	73Kg	H1H2:21.6L/Q3Q4:21.06L
5	111B2090R	23010692- 05	200	90	260	80Kg	H1H2:24.3L/Q3Q4:23.76L
6	111B2100R	23010692- 06	200	100	287	87Kg	H1H2:27L/Q3Q4:26.46L
7	111B2110R	23010692- 07	200	110	315	94Kg	H1H2:29.7L/Q3Q4:29.16L
8	111B2120R	23010692- 08	200	120	342	101Kg	H1H2:32.4L/Q3Q4:31.86L
9	111B2130R	23010692- 09	200	130	370	108Kg	H1H2:35.1L/Q3Q4:34.56L
10	111B2140R	23010692- 10	200	140	397	115Kg	H1H2:37.8L/Q3Q4:37.26L

DESIGN DATA	
DESIGN PRESSURE	3.0MPa
TEST PRESSURE	4.5MPa
DESIGN TEMPERATURE	-196/+225
LEAKAGE TEST	Helium Test
PLATE MATERIAL	316L
PIPE MATERIAL	304
FRAME MATERIAL	304

Assembly drawing	DEPARTMENT	Sales Department	DATE	2023/02/07	SCALE			RD-200-n-3,0-H- Q3Q4(H2"5/8)/ H1H2(H3"1/8)/8- M10*25
	DESIGNER	JLN						
	INSPECTOR	ZJF						
	APPROVAL	FL						
			DRAWING NO.	23010692				REV. 0