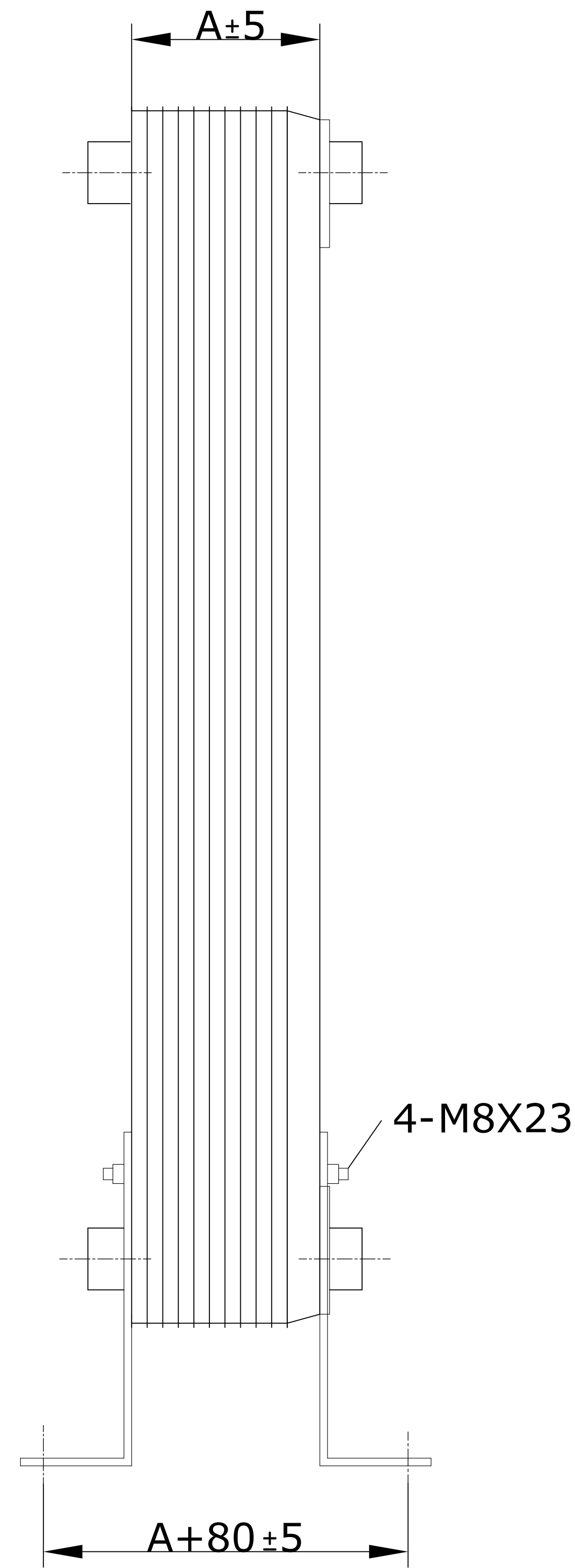
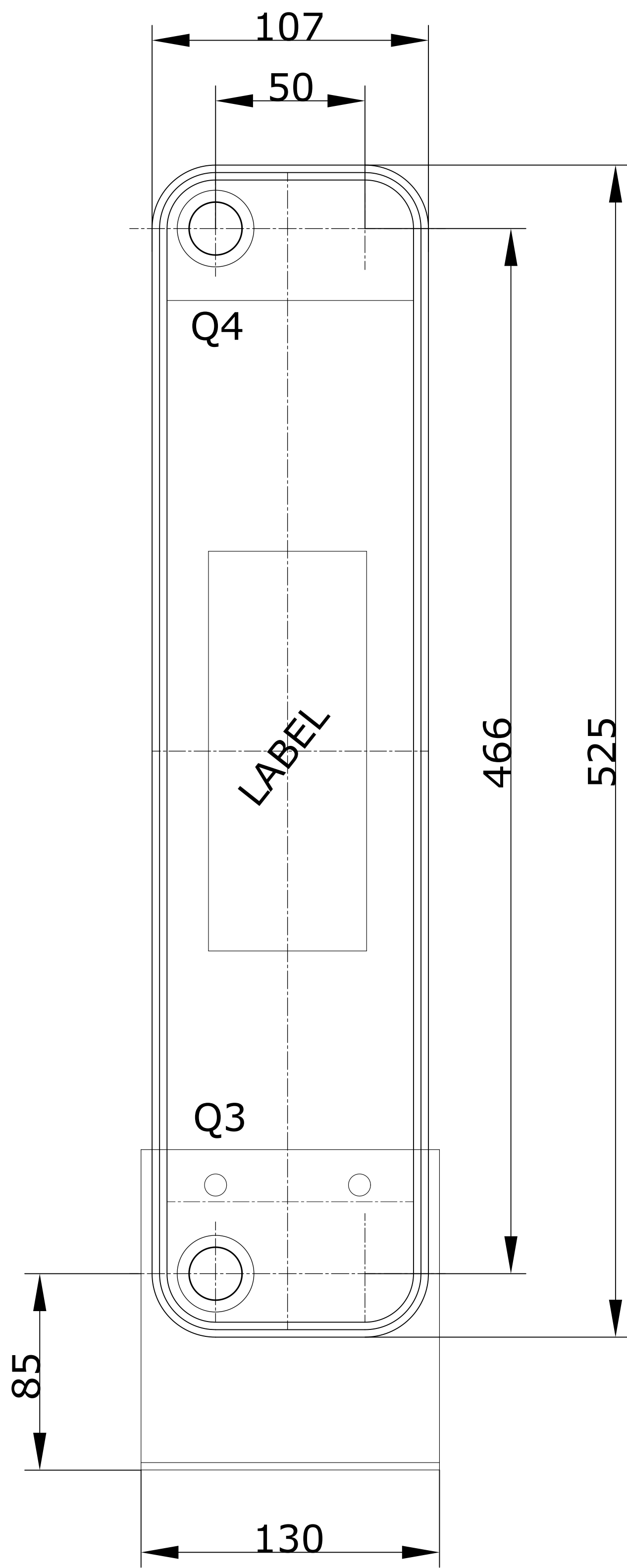
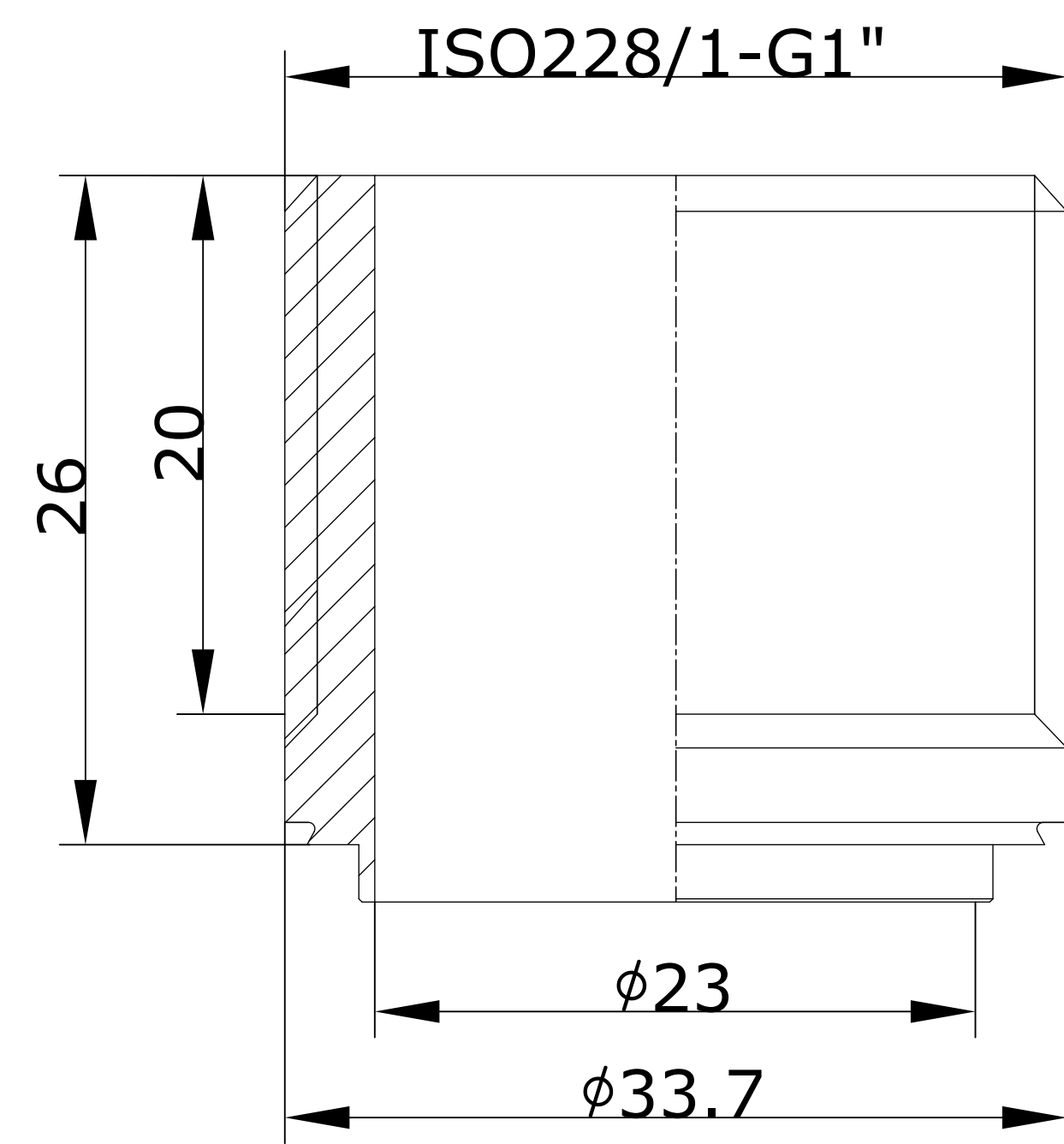
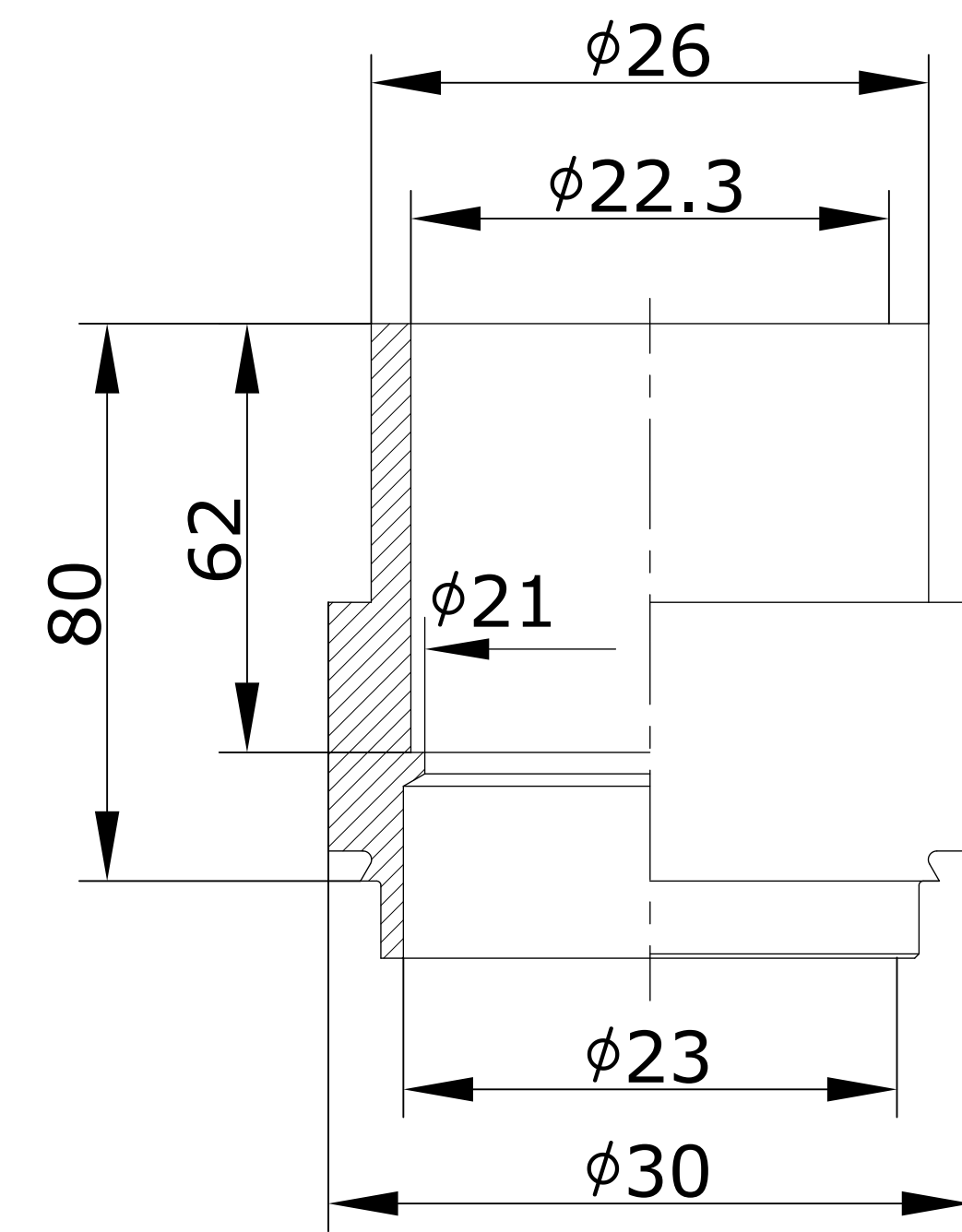
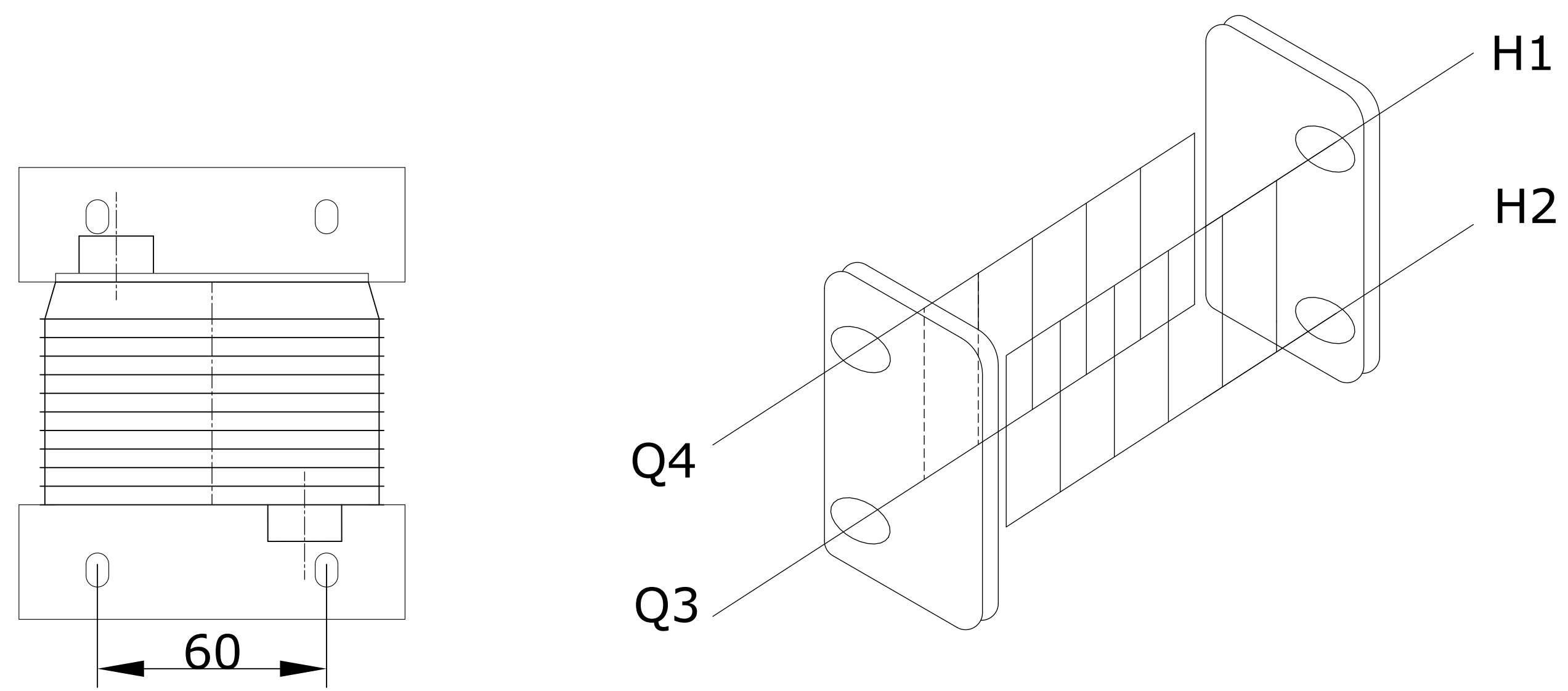


CONTROLLED

Q3-Q4
H7/8"(H2075)
Solder connection

H1-H2
L1(W210)
Thread connection



ID	RIDAN Code	Drawing No.	Model	Plates(n)	A	Weight	Volume
1	111B0195R	23010706-01	052	10	33	5.5Kg	H1H2:0.485L/Q3Q4:0.388L
2	111B0196R	23010706-02	052	20	56	7.5Kg	H1H2:0.97L/Q3Q4:0.873L
3	111B0197R	23010706-03	052	30	79	9.5Kg	H1H2:1.455L/Q3Q4:1.358L
4	111B0198R	23010706-04	052	40	102	11Kg	H1H2:1.94L/Q3Q4:1.843L

Note: Add feet

DESIGN DATA	
DESIGN PRESSURE	4.5MPa
TEST PRESSURE	6.75MPa
DESIGN TEMPERATURE	-196/+225
LEAKAGE TEST	Helium Test
PLATE MATERIAL	316L
PIPE MATERIAL	304
FRAME MATERIAL	304

Assembly drawing	DEPARTMENT	Sales Department	DATE	2023/02/07	SCALE		
	DESIGNER	JLN					
	INSPECTOR	ZJF					
	APPROVAL	FL					
DRAWING NO.		23010706		REV. 0		DESIGNATION: RD-052-n-4,5-H-Q3Q4(H7/8)/H1H2(L1)/4-M8*23	