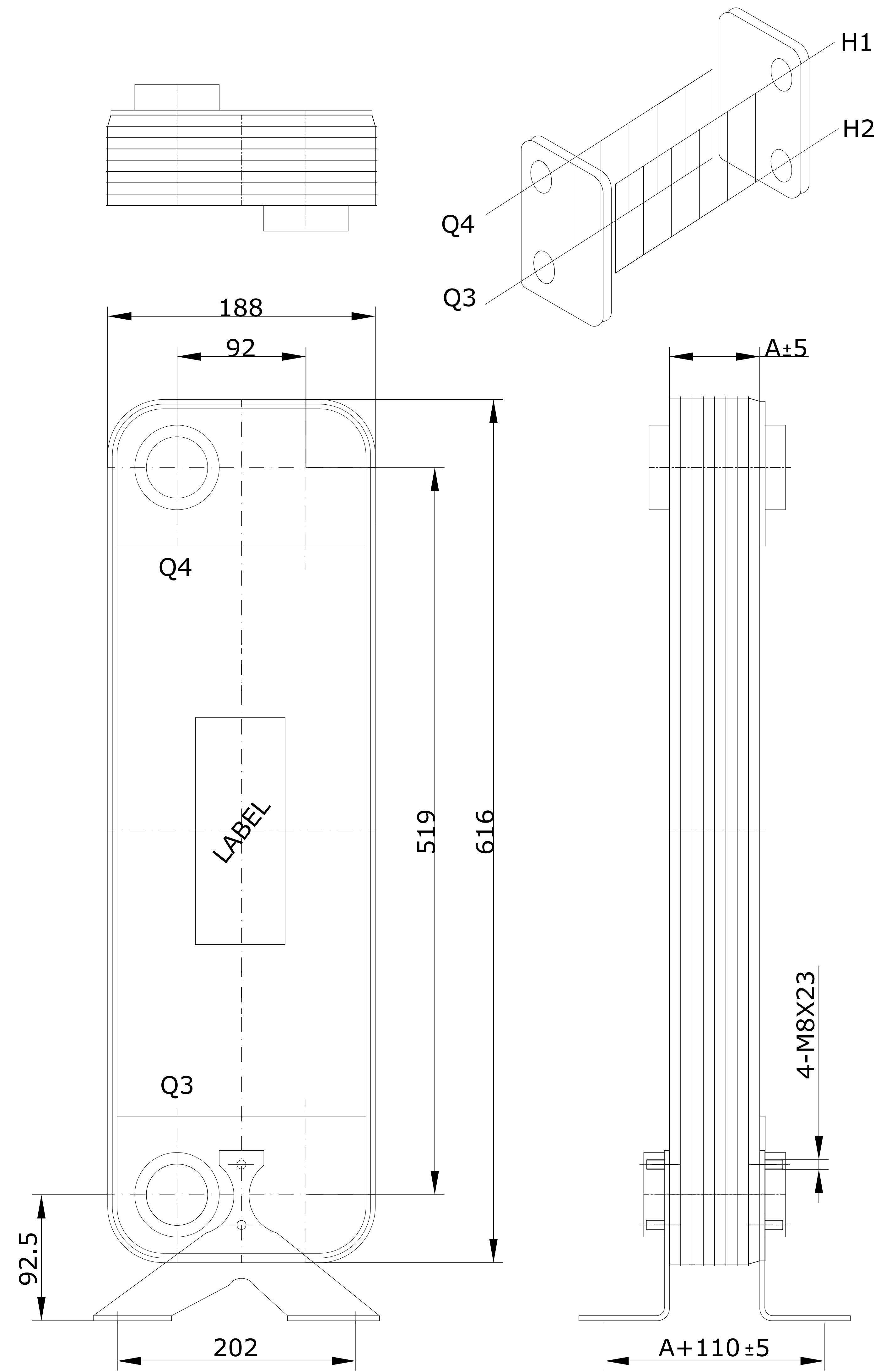
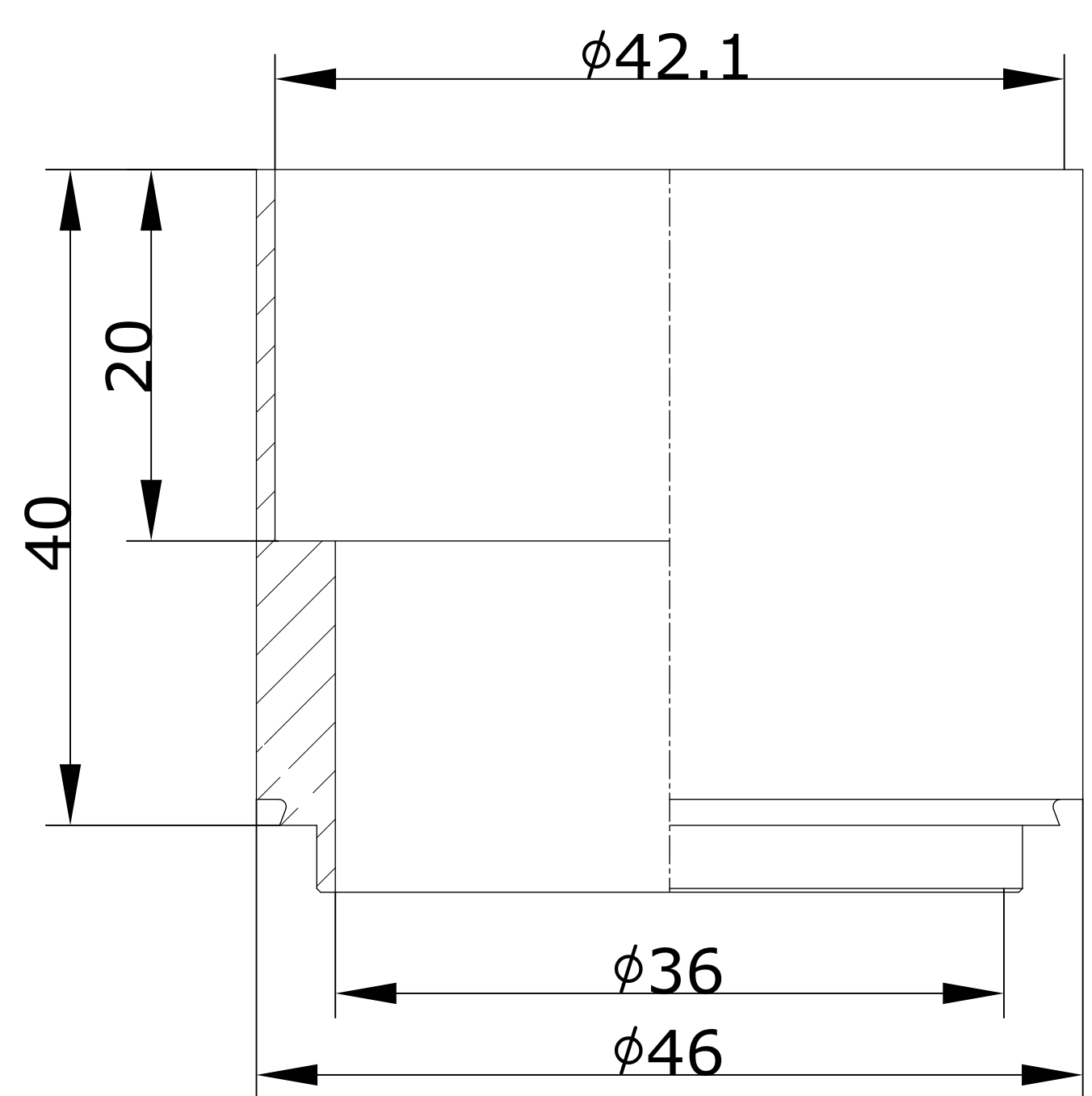


CONTROLLED

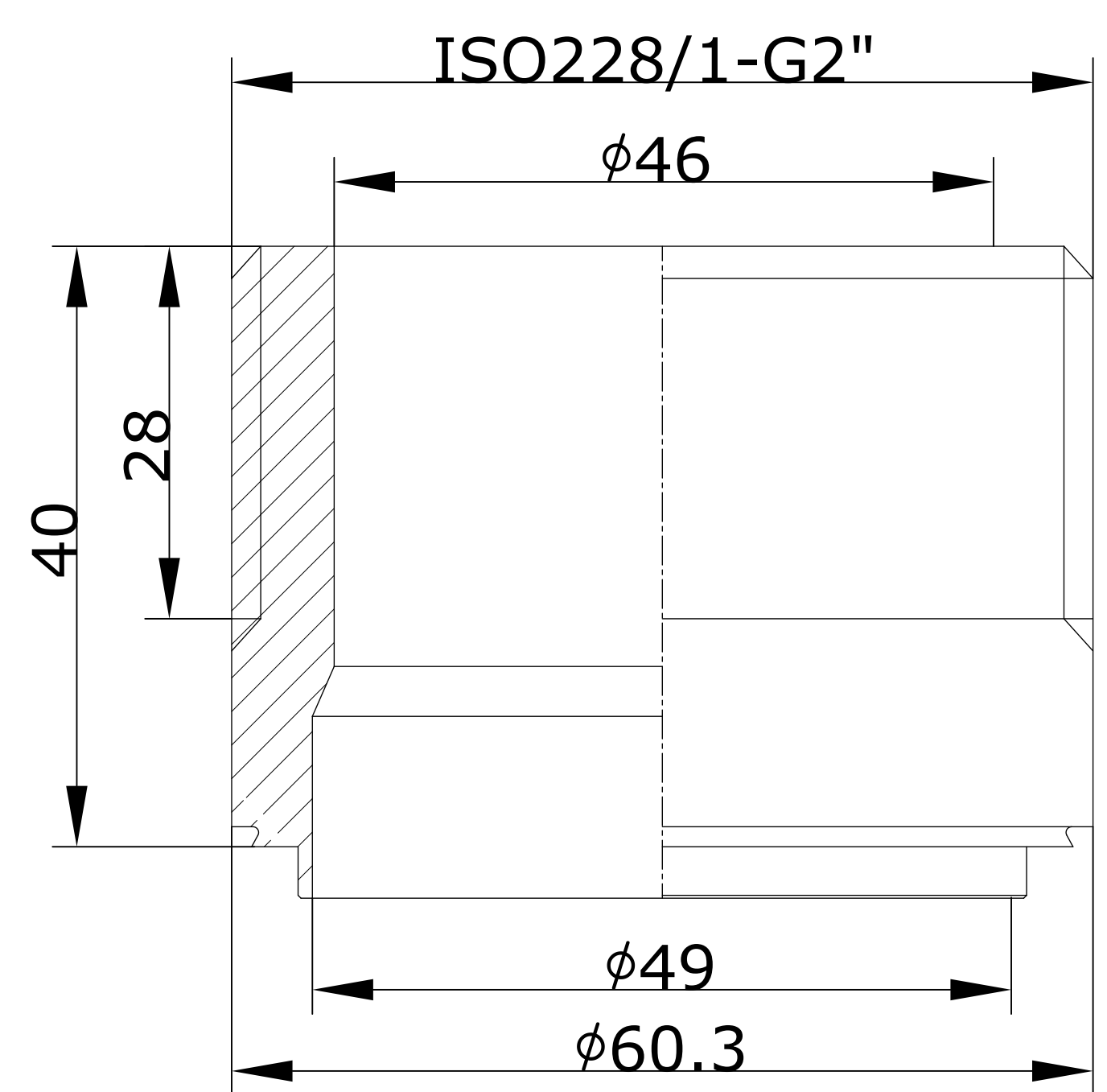


Note: Add feet

Q3-Q4
H1"5/8 (H4152)
Solder connection



H1-H2
L2(W520)
Thread connection



ID	RIDAN Code	Drawing No.	Model	Plates(n)	A	Weight	Volume
1	111B0205R	23010707-01	095B	10	39	11Kg	H1H2:1.25L/Q3Q4:1L
2	111B0206R	23010707-02	095B	20	67	15Kg	H1H2:2.5L/Q3Q4:2.25L
3	111B0207R	23010707-03	095B	30	95	18Kg	H1H2:3.75L/Q3Q4:3.5L
4	111B0208R	23010707-04	095B	40	123	22Kg	H1H2:5L/Q3Q4:4.75L
5	111B0209R	23010707-05	095B	50	152	25.8Kg	H1H2:6.25L/Q3Q4:6L
6	111B0210R	23010707-06	095B	60	180	29Kg	H1H2:7.5L/Q3Q4:7.25L
7	111B0211R	23010707-07	095B	70	208	33Kg	H1H2:8.75L/Q3Q4:8.5L
8	111B0212R	23010707-08	095B	80	236	36.8Kg	H1H2:10L/Q3Q4:9.75L

		DESIGN DATA	
DESIGN PRESSURE		4.5MPa	
TEST PRESSURE		6.75MPa	
DESIGN TEMPERATURE		-196/+225	
LEAKAGE TEST		Helium Test	
PLATE MATERIAL		316L	
PIPE MATERIAL		304	
FRAME MATERIAL		304	

Assembly drawing	DEPARTMENT	Sales Department	DATE	2023/02/07	SCALE		
	DESIGNER	JLN					
	INSPECTOR	ZJF					
	APPROVAL	FL					
DRAWING NO.		23010707		DESIGNATION: RD-095B-n-4,5-H-Q3Q4(H1"5/8)/H1H2(L2)/4-M8*23		REV. 0	