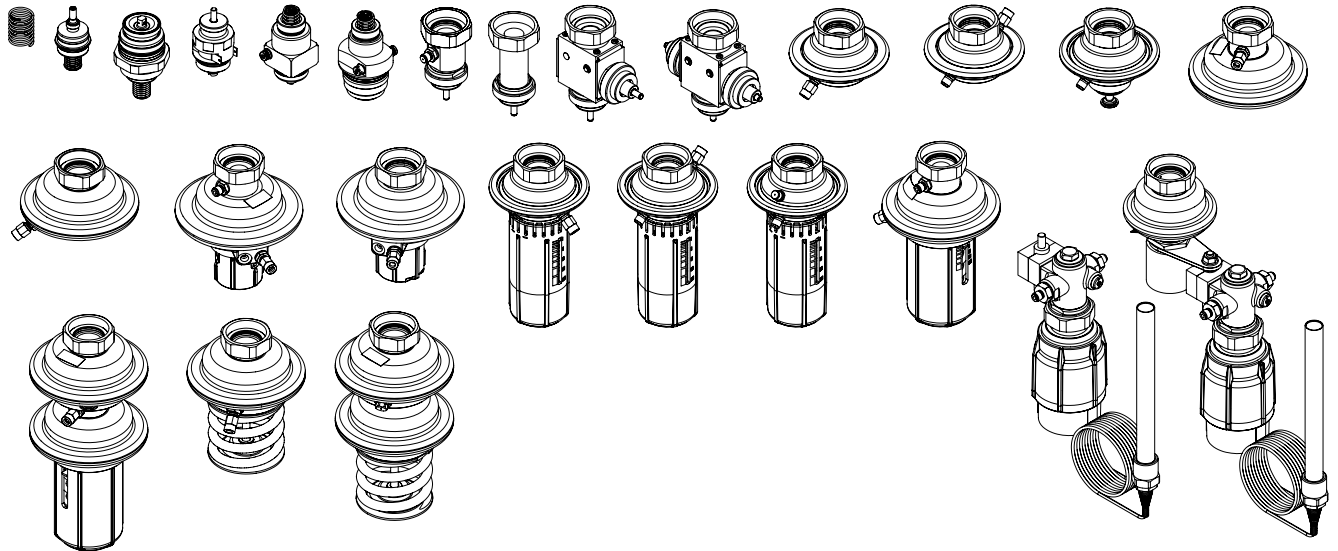


Installation Guide

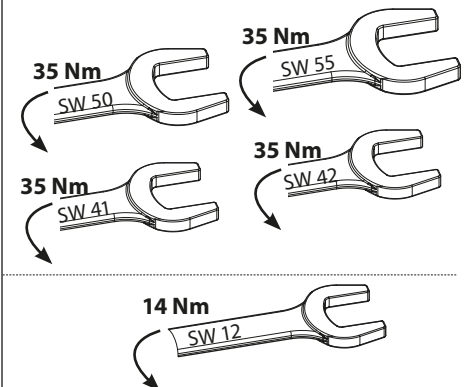
Service kits – Catalogue



A	PN	DN	Δp (bar)					Code No.			
			0.05 ÷ 0.5 0.1 ÷ 0.5	0.2 ÷ 1.0	0.3 ÷ 2.0	0.8 ÷ 1.6	0.2		0.3	0.5	
	16	15 ÷ 32	-	×		-	×	-	003H1330		
			-	-		-	-	×	-	003H1326	
			-	-		-	-	-	-	×	003H1331
			-	-		×	-	-	-	-	003H1332
	25	15 ÷ 50		-	-		×	-	88835920		
		15 ÷ 25		-	-		-	-	×	88835930	
		32 ÷ 50		-	-		-	-	×	88835940	

B	PN	DN	Δp_b (bar)					Code No.	
			0.1 ÷ 0.5	0.2 ÷ 1.0	0.3 ÷ 2.0	0.8 ÷ 1.6	0.2		0.3
	16	15 ÷ 32					×		003H1330
		15 ÷ 25					×		88835920
		32 ÷ 50					-		-

M1	CuSn5ZnPb (Rg5)
M2	EN-GJS-400-18-LT (GGG 40.3)

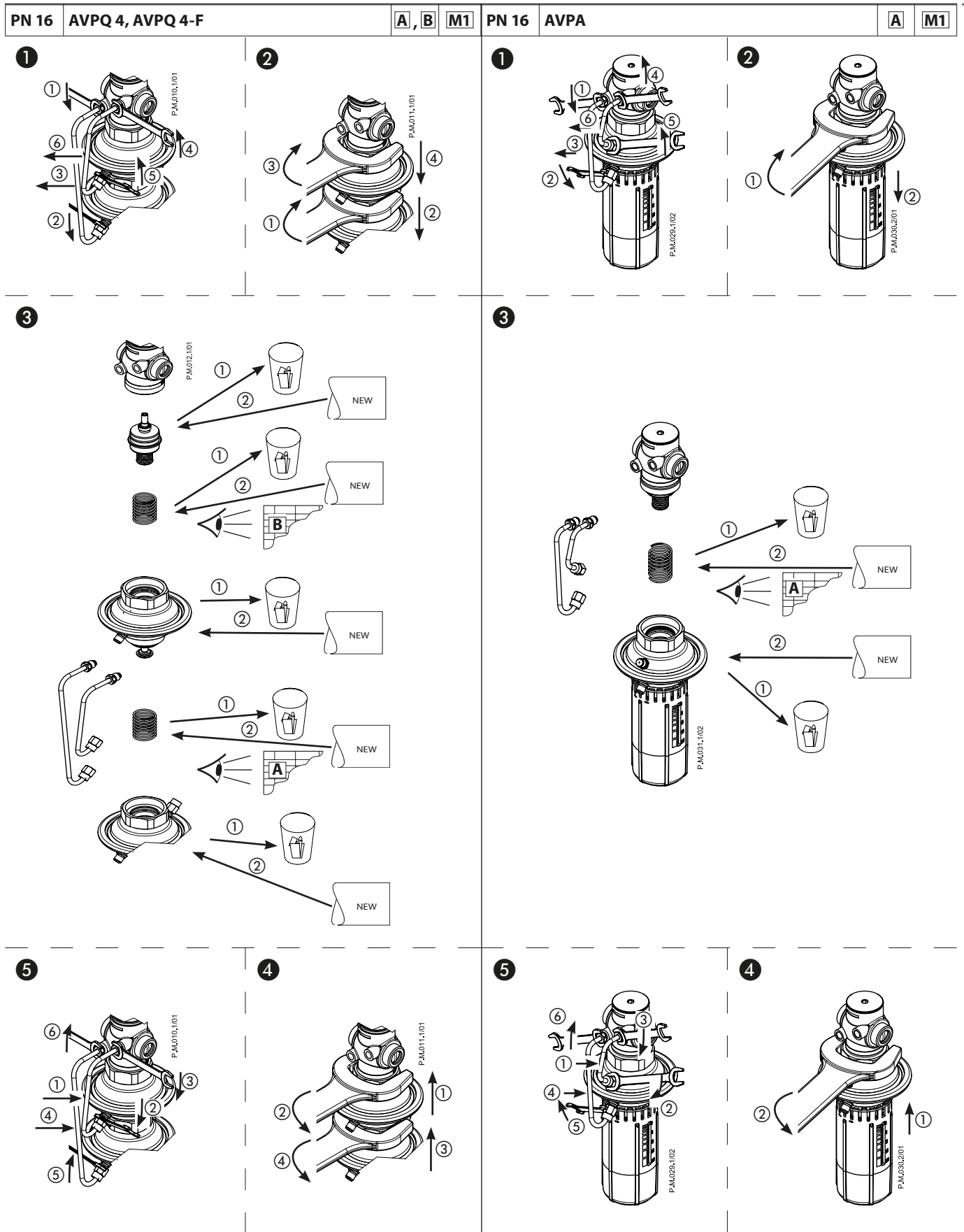


Page	PN		Page	PN			
2	16	AVP, AVP-F, AVPB, AVPB-F, AVD, AVQ, AVQM	M1	10	25	SAVA	M1
2	16	AVPQ, AVPQ-F	M1				M2
3	16	AVPQ 4, AVPQ 4-F	M1	11	25	SAVD	M1
3	16	AVPA	M1				M2
4	25	AVP, AVP-F, AVPB, AVPB-F, AVPBT-F, AVD, AVQ, AVQT, AVQM, AVQMT	M1	12	25	AVPBT	M1
			M2	13	25	AVPBT	M2
5	25	AVPQ, AVPQ-F	M1	15	25	AVPQT	M1
			M2	16	25	AVPQT	M2
6	25	AVPQ 4, AVPQ 4-F	M1	18	25	VG	M1
			M2	18	25	VG, VGF	M2
7	25	AVPA	M1	18	25	VGS	M1
			M2	19	16	Control valve insert	M1
8	25	AVA	M1	20	25	Control valve insert	M1
			M2	21			M2
9	25	AVDS	M1	22	25	STL	M1, M2

Installation Guide Service kits – Catalogue

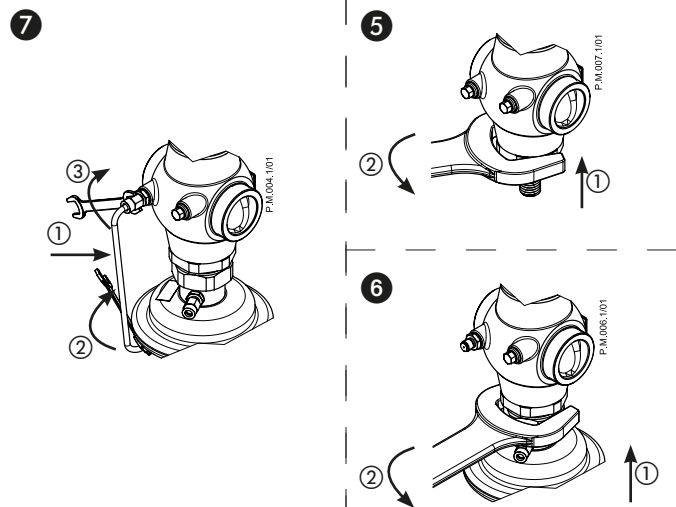
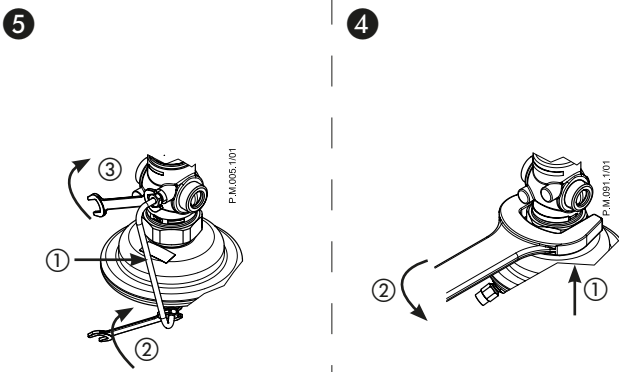
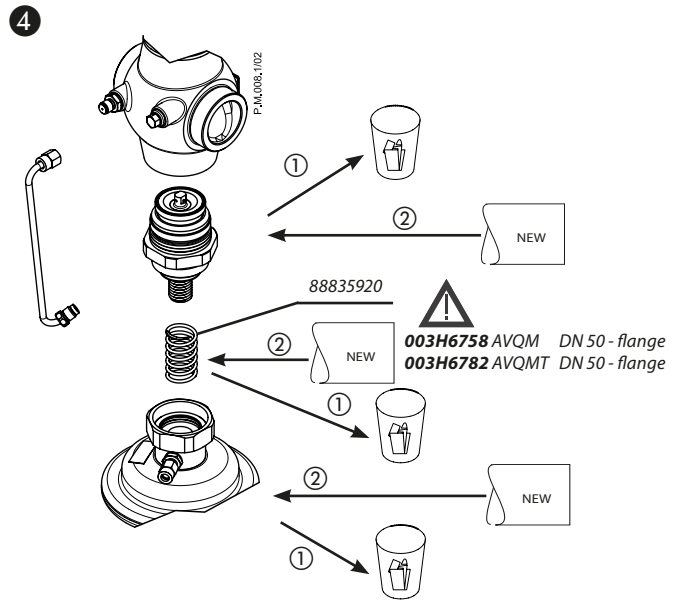
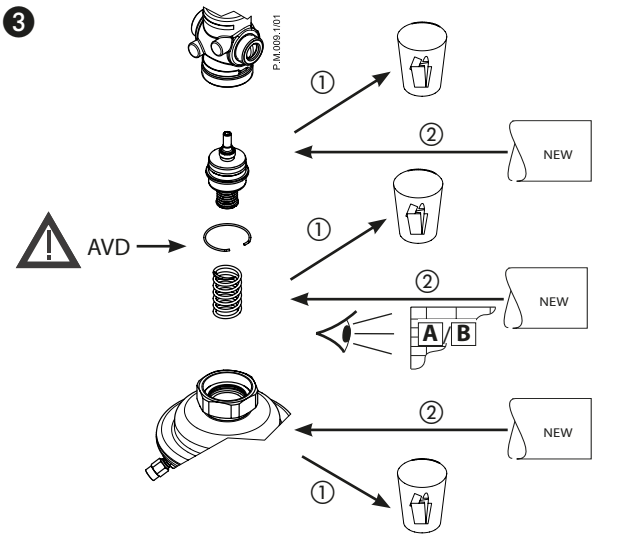
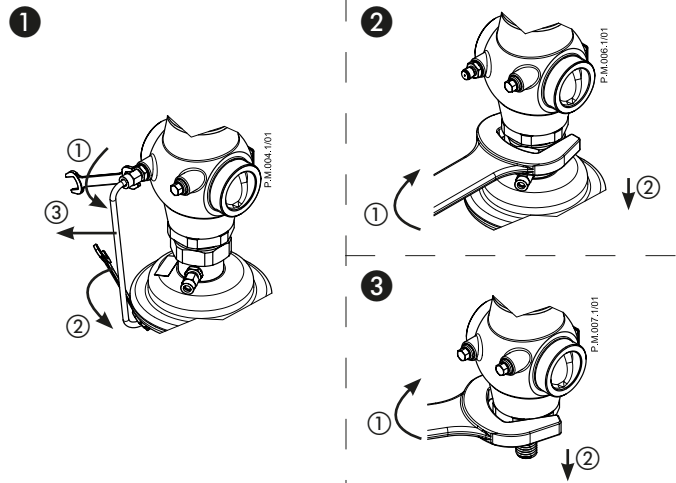
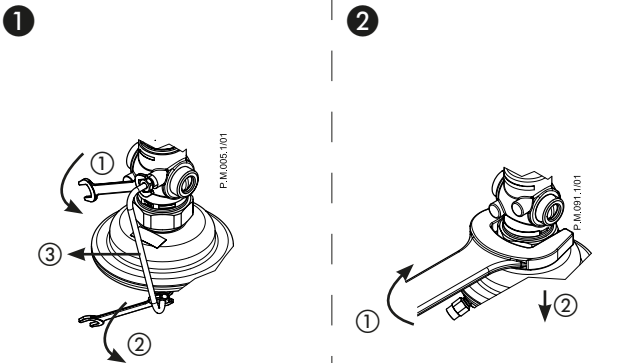
PN 16 AVP, AVP-F, AVPB, AVPB-F, AVD AVQ, AVQM	A B M1	PN 16 AVPQ, AVPQ-F	A, B M1
<p>1</p>	<p>2</p>	<p>1</p>	<p>2</p>
<p>3</p>		<p>3</p>	
<p>5</p>	<p>4</p>	<p>5</p>	<p>4</p>

Installation Guide Service kits – Catalogue

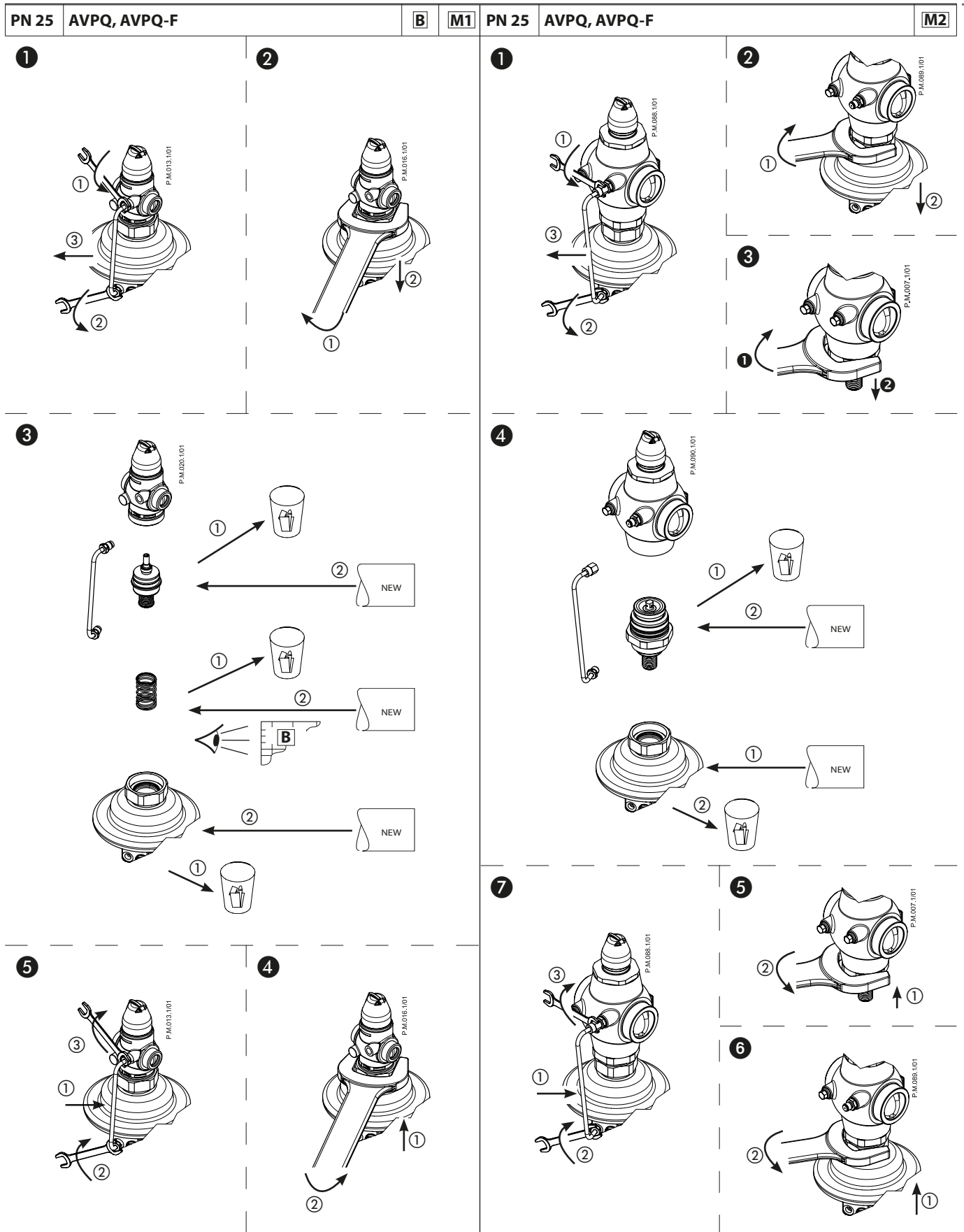


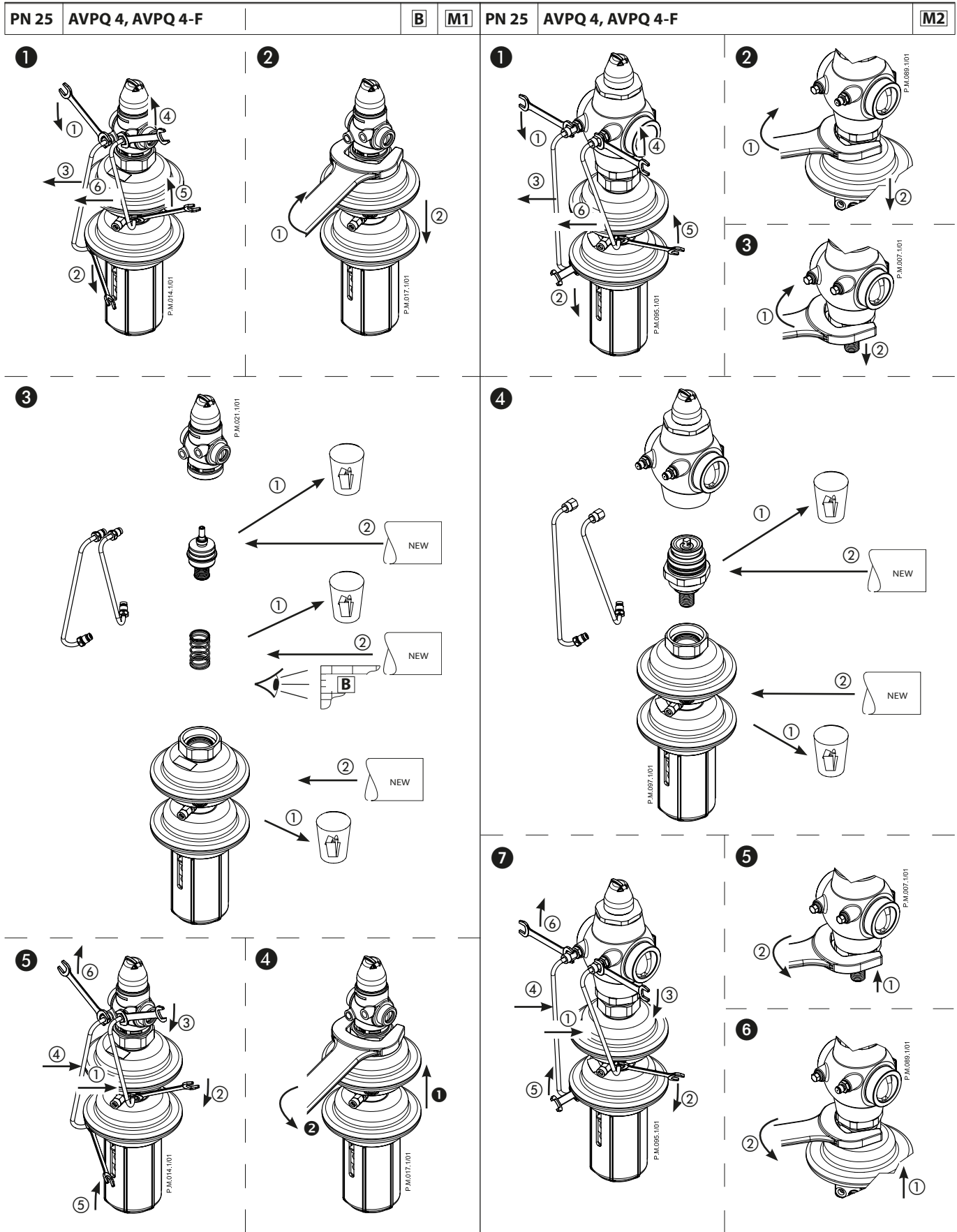
Installation Guide Service kits – Catalogue

PN 25	AVP, AVP-F, AVPB, AVPB-F, AVPBT-F, AVD	A	M1	PN 25	AVP, AVP-F, AVPB, AVPB-F, AVPBT-F, AVD	M2
	AVQ, AVQT, AVQM, AVQMT	B			AVQ, AVQT, AVQM, AVQMT	

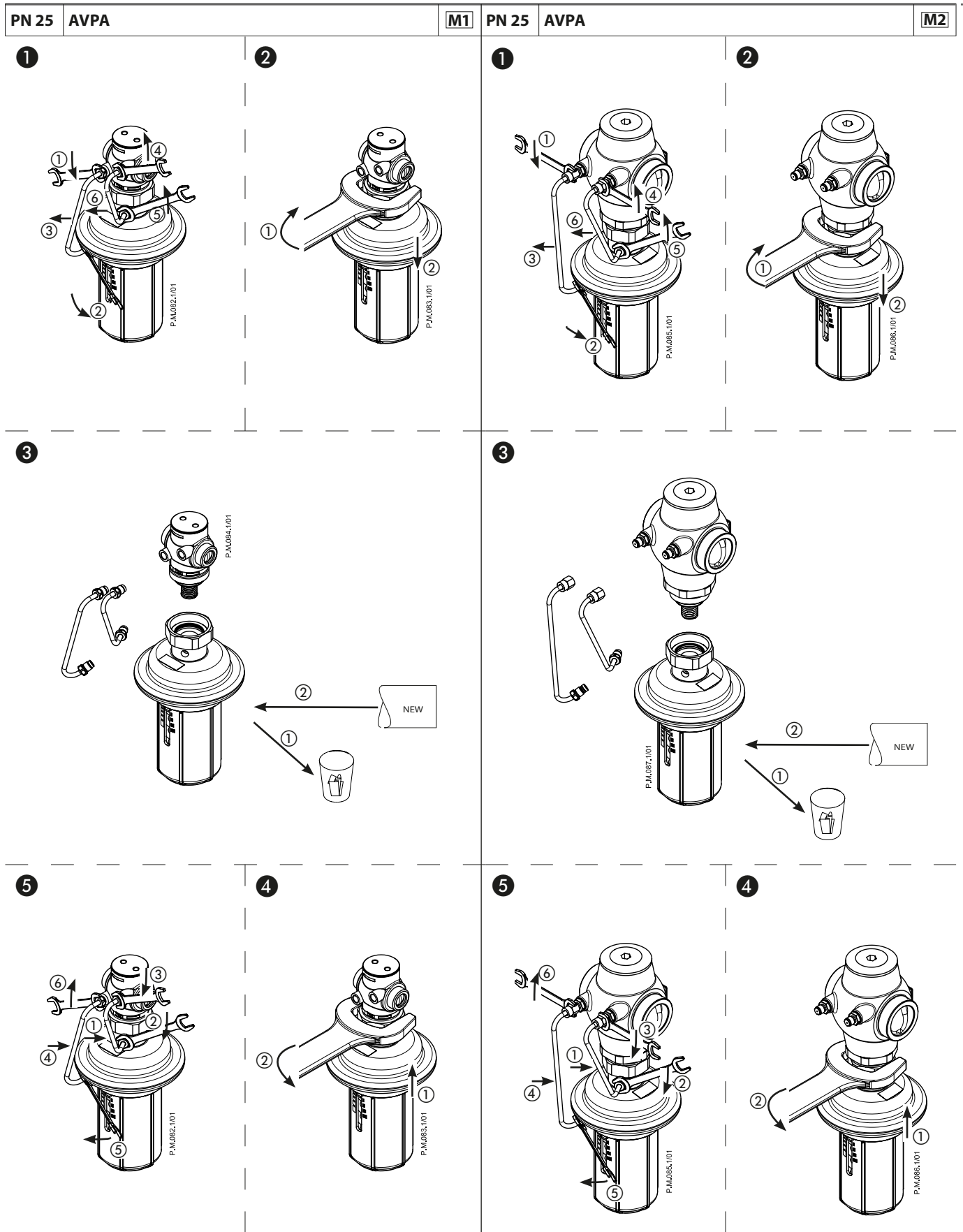


Installation Guide Service kits – Catalogue

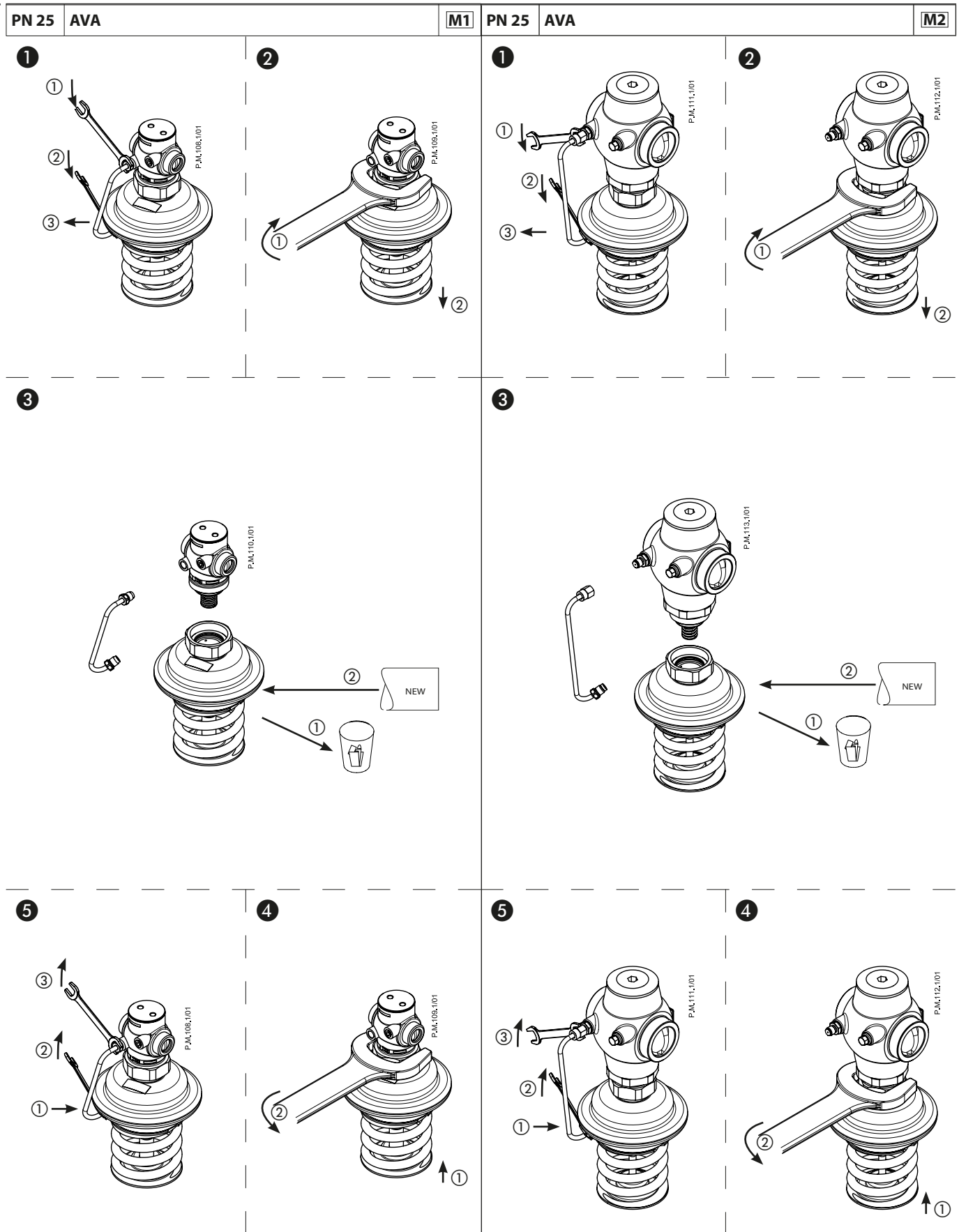




Installation Guide Service kits – Catalogue



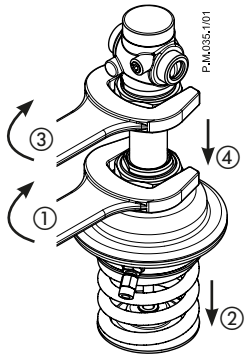
Installation Guide Service kits – Catalogue



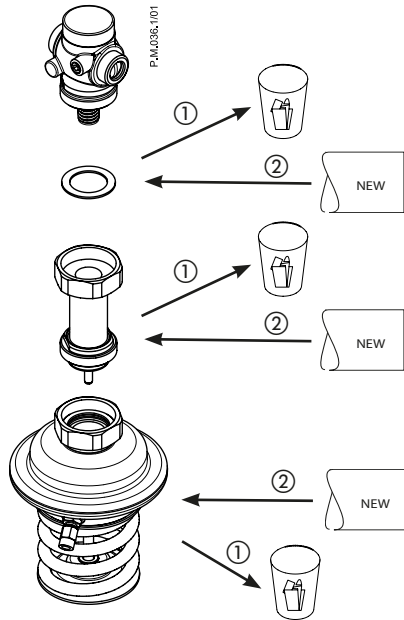
Installation Guide Service kits – Catalogue

PN 25 AVDS M1

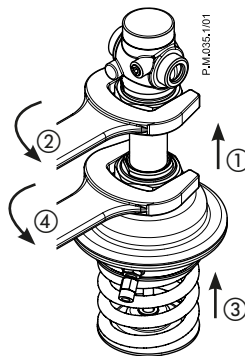
1

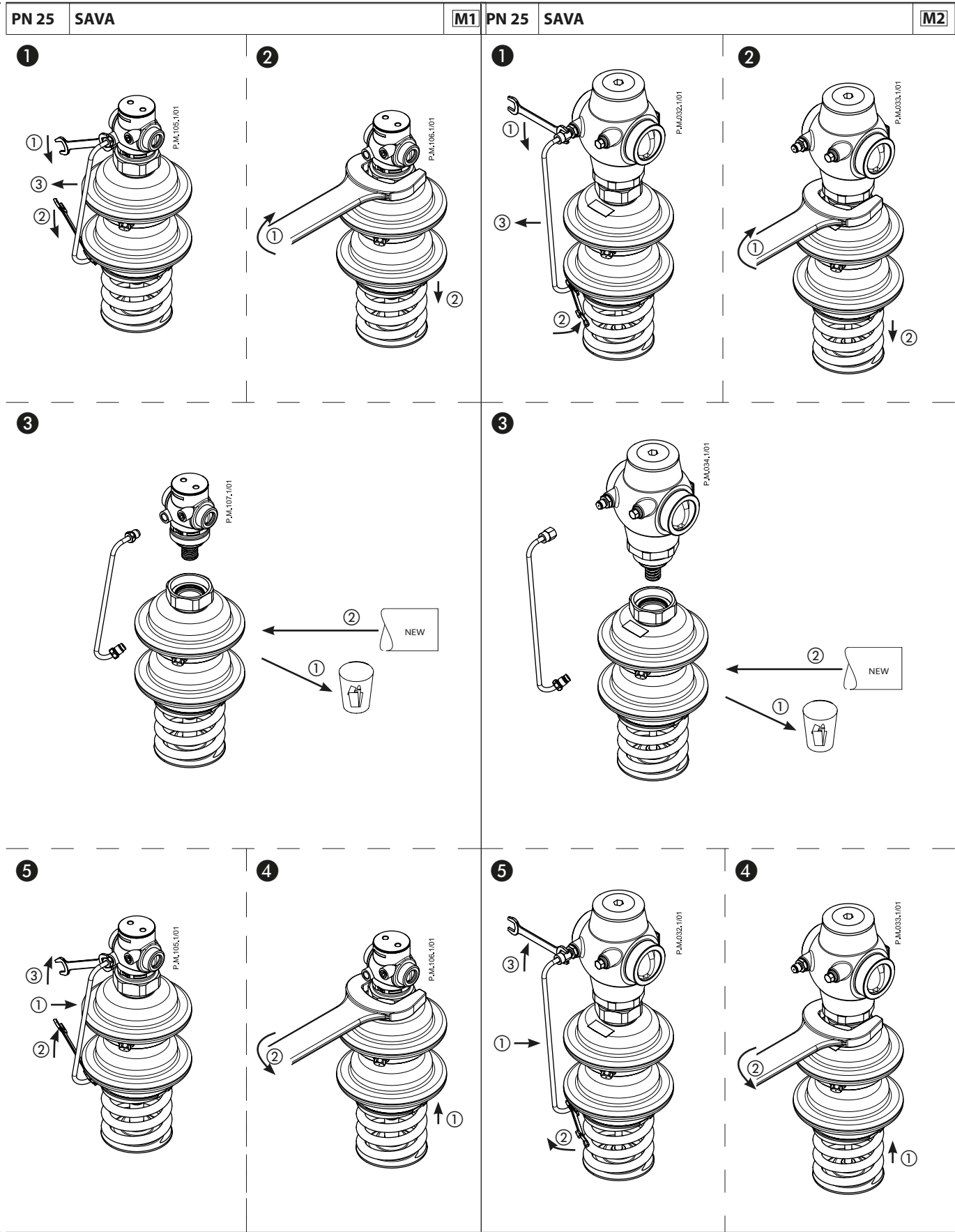


2

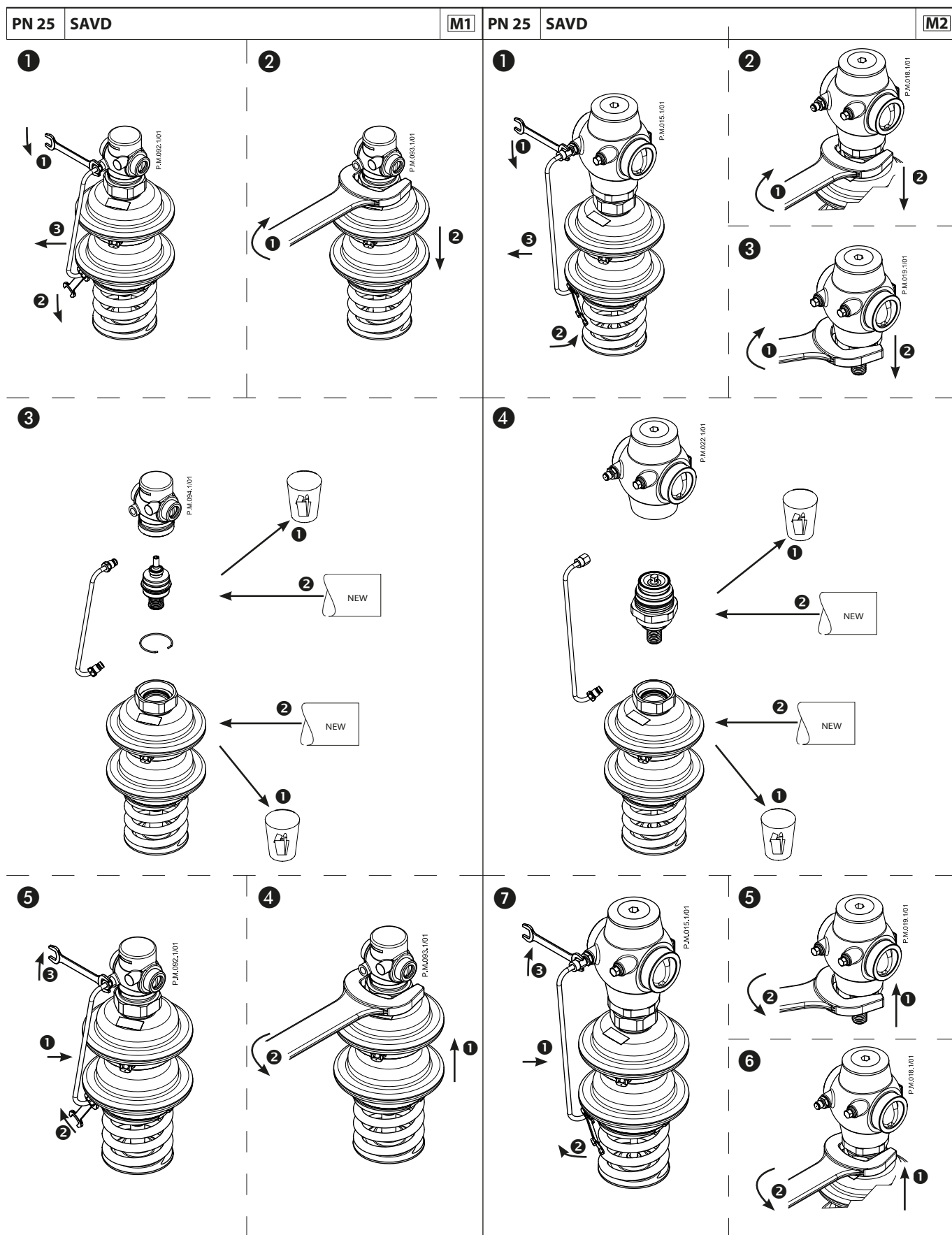


3



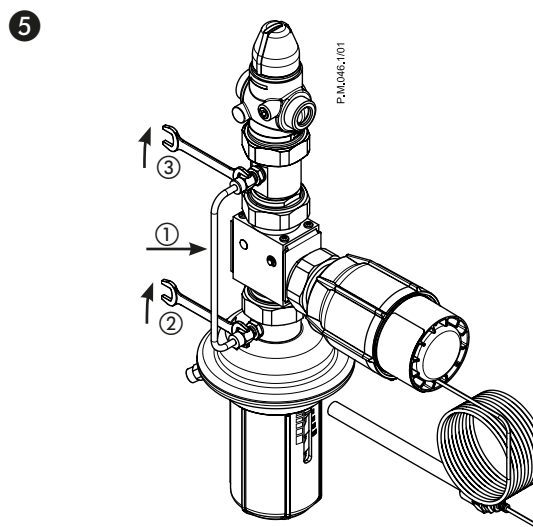
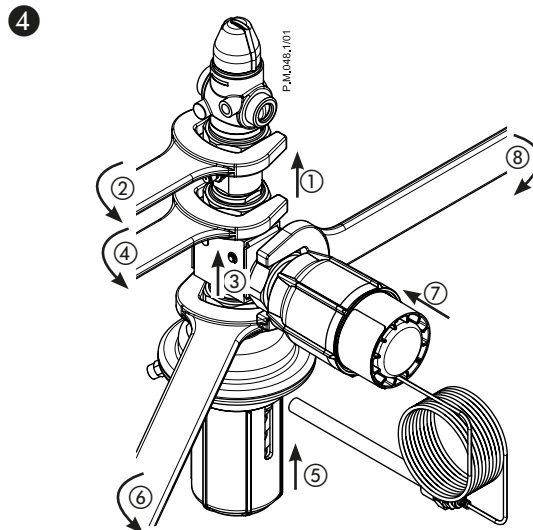
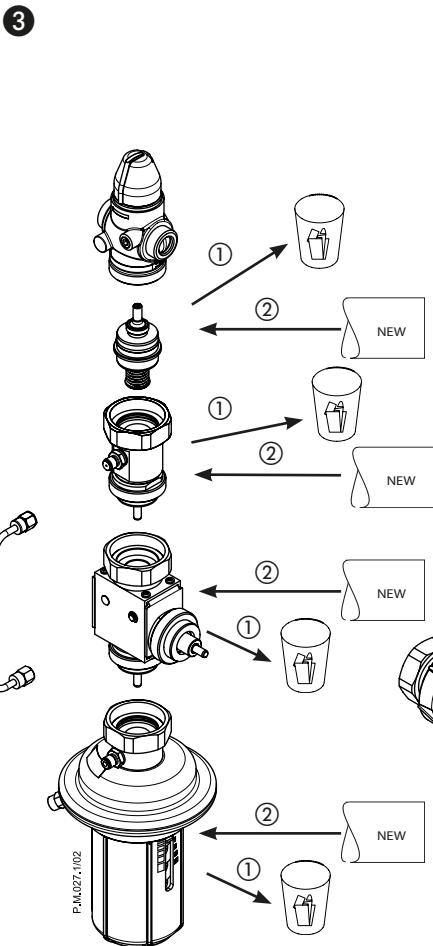
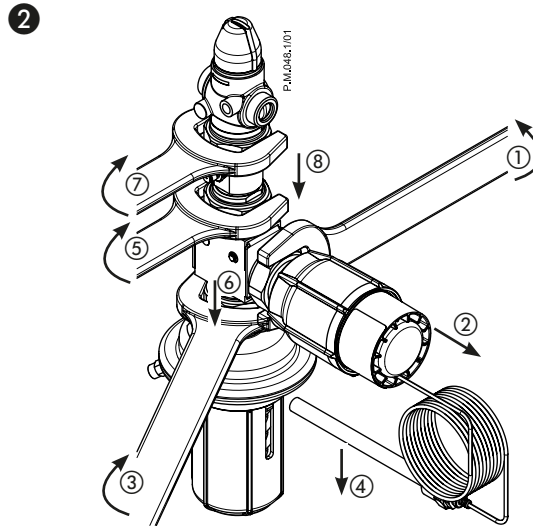
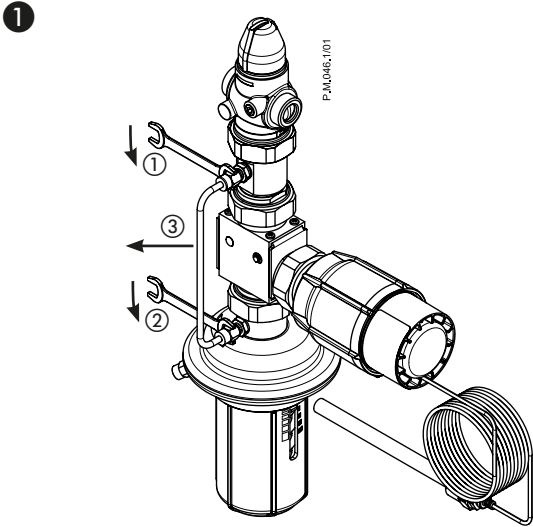


Installation Guide Service kits – Catalogue



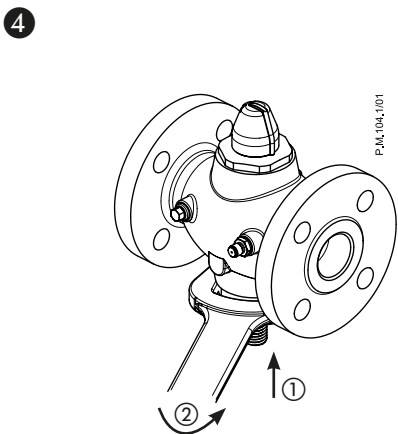
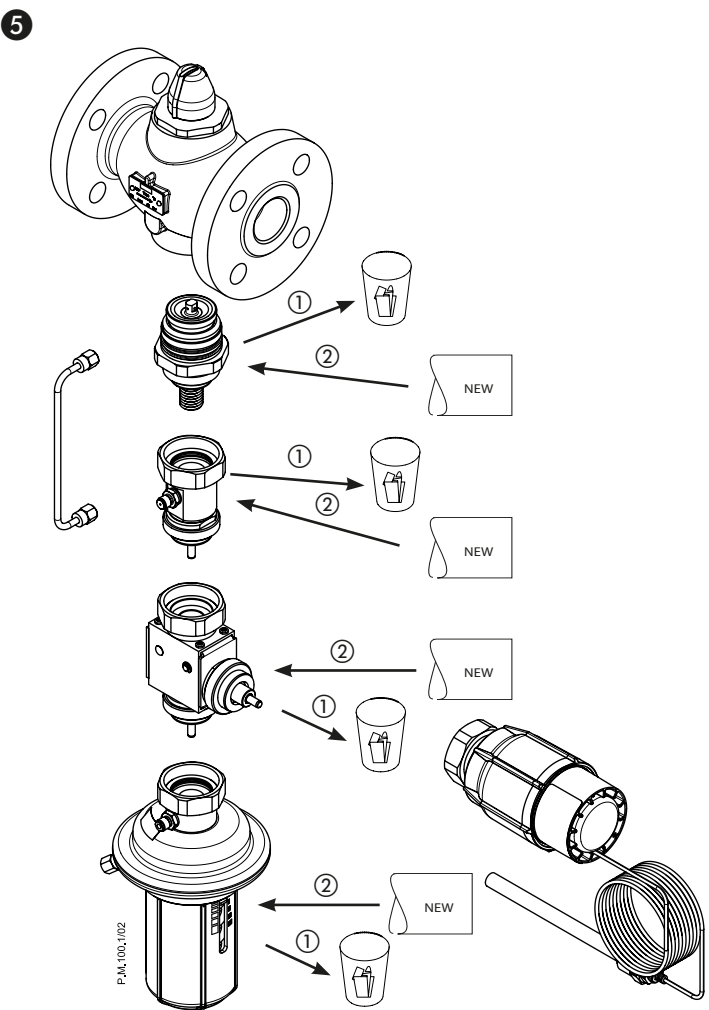
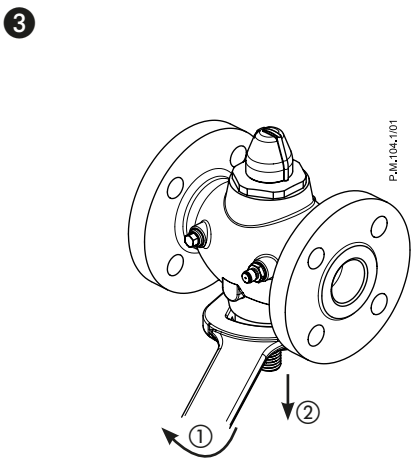
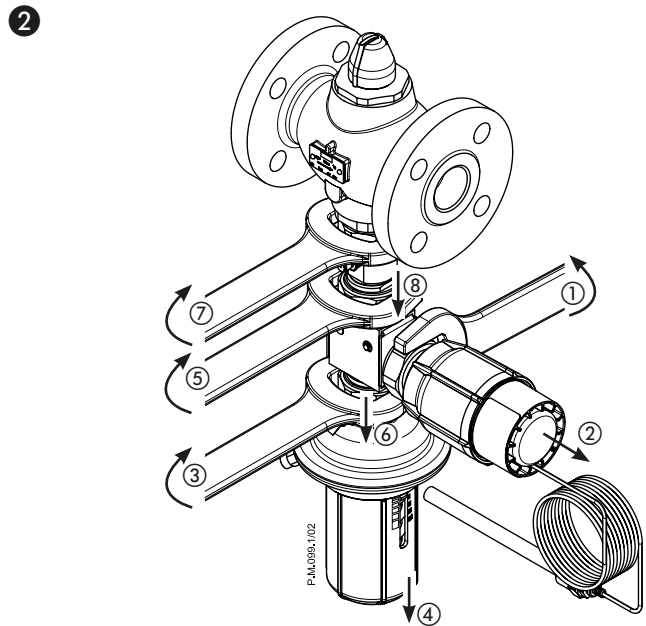
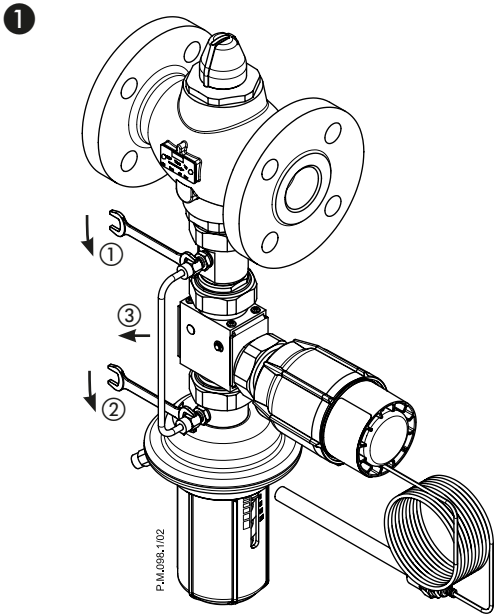
PN 25 AVPBT

M1



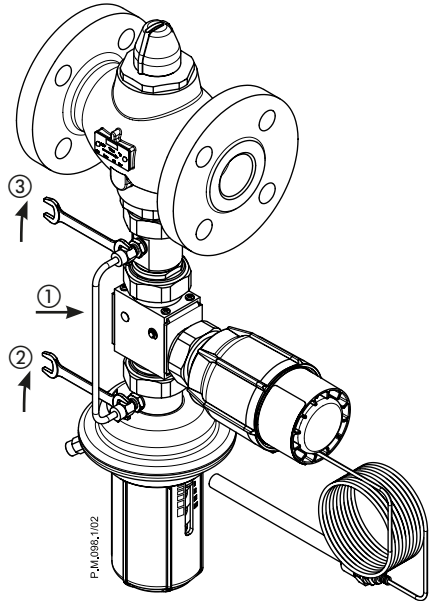
Installation Guide Service kits – Catalogue

PN 25 AVPBT M2

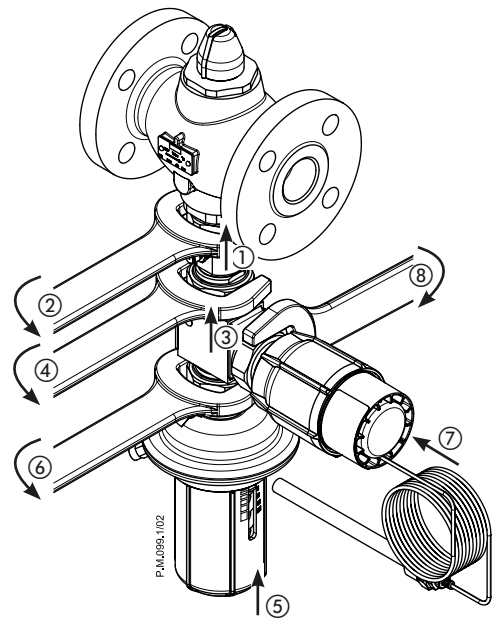


PN 25	AVPBT	M2
-------	-------	----

7

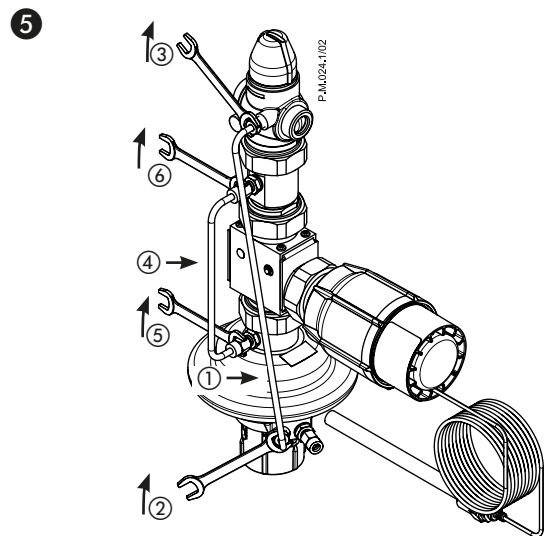
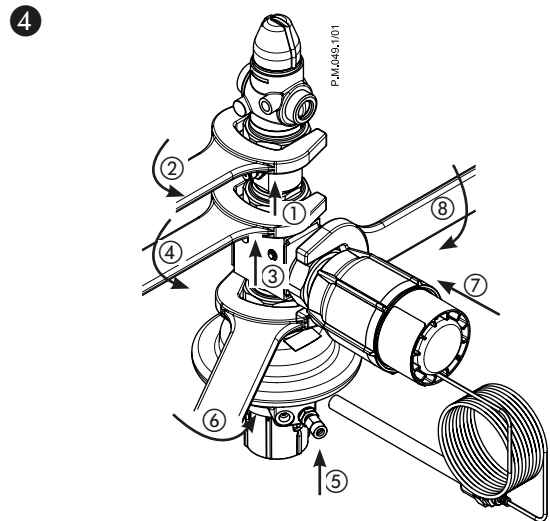
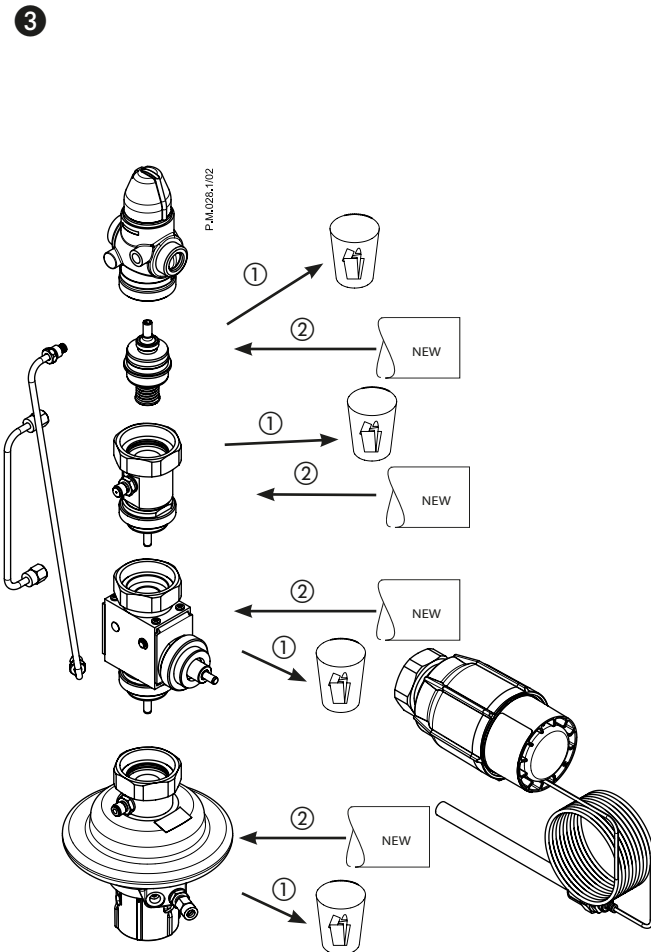
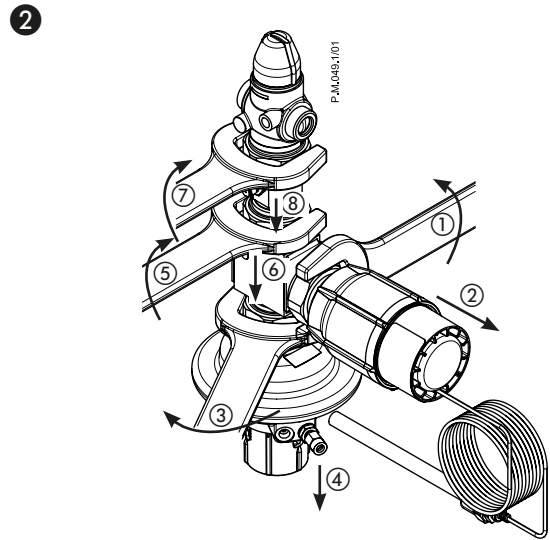
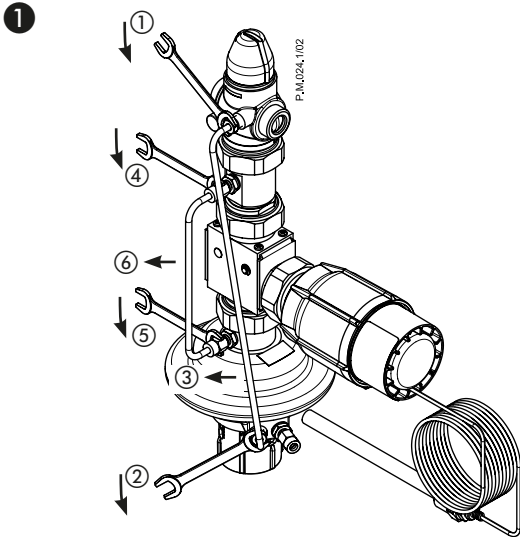


6



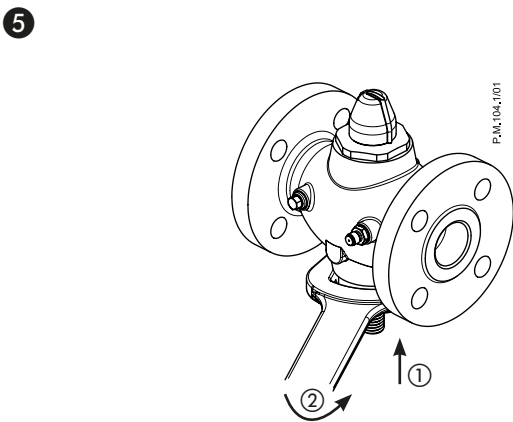
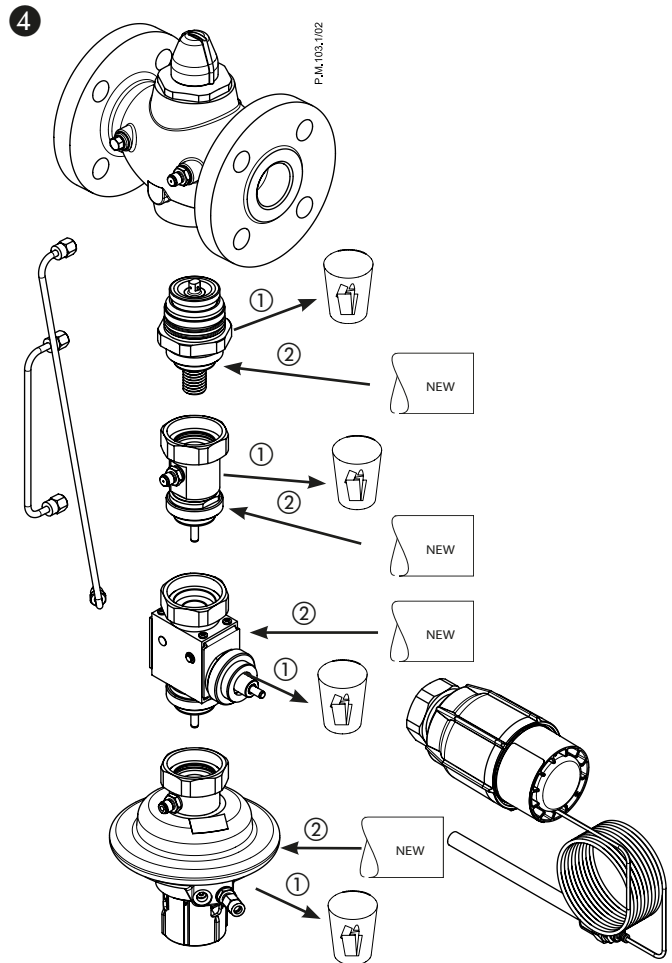
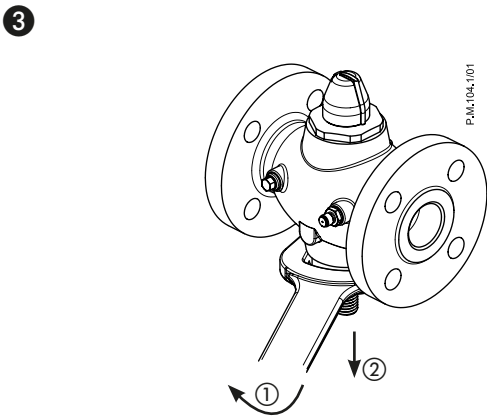
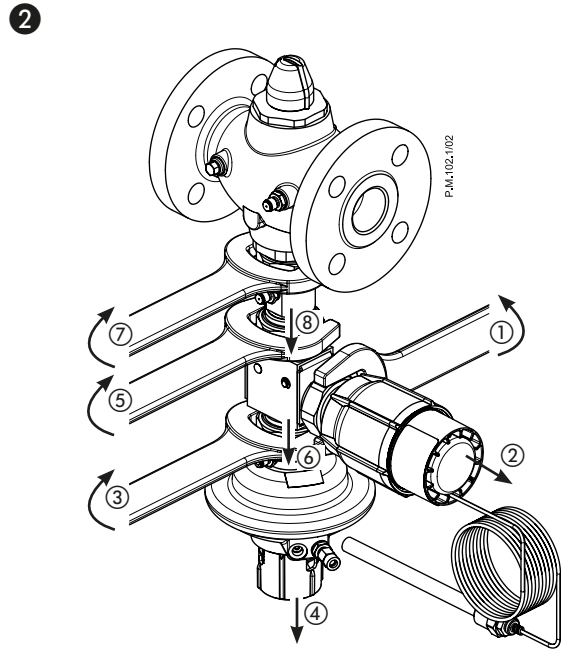
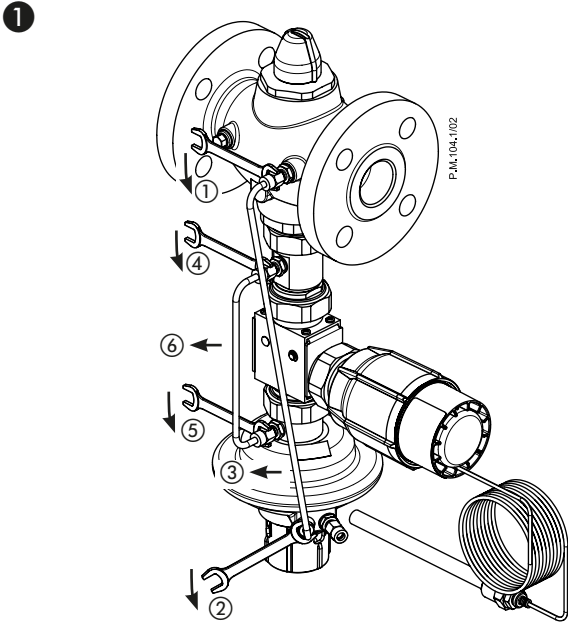
Installation Guide Service kits – Catalogue

PN 25 AVPQT M1



PN 25 AVPQT

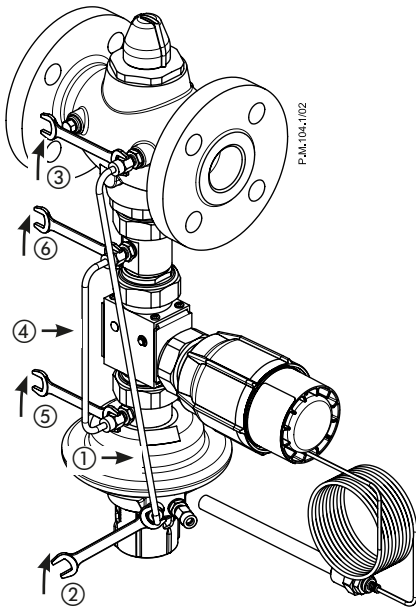
M2



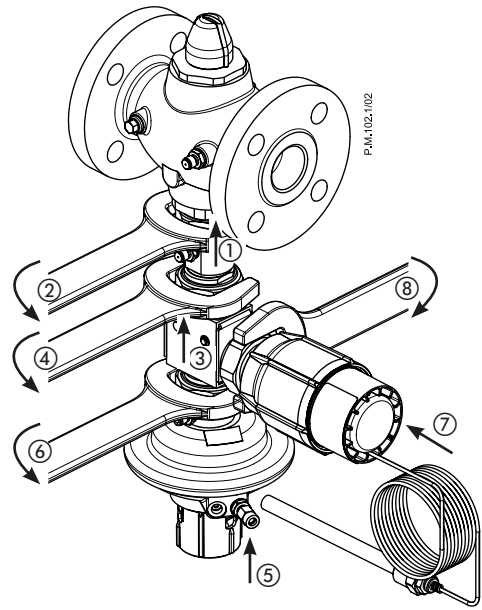
PN 25 AVPQT

M2

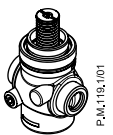
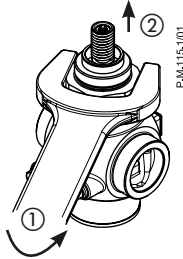
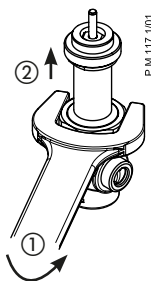
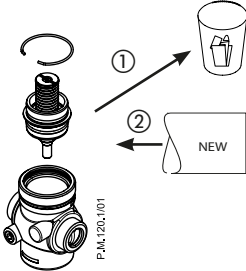
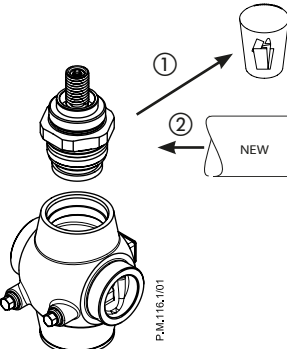
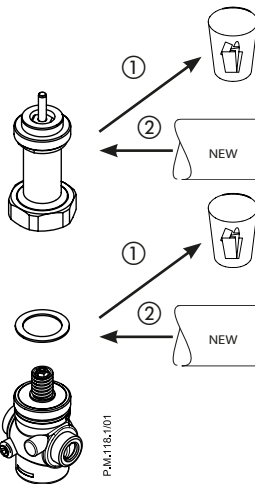

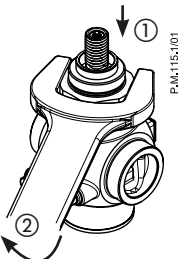
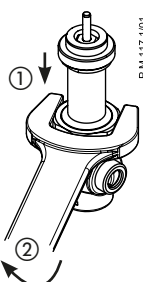
7



6



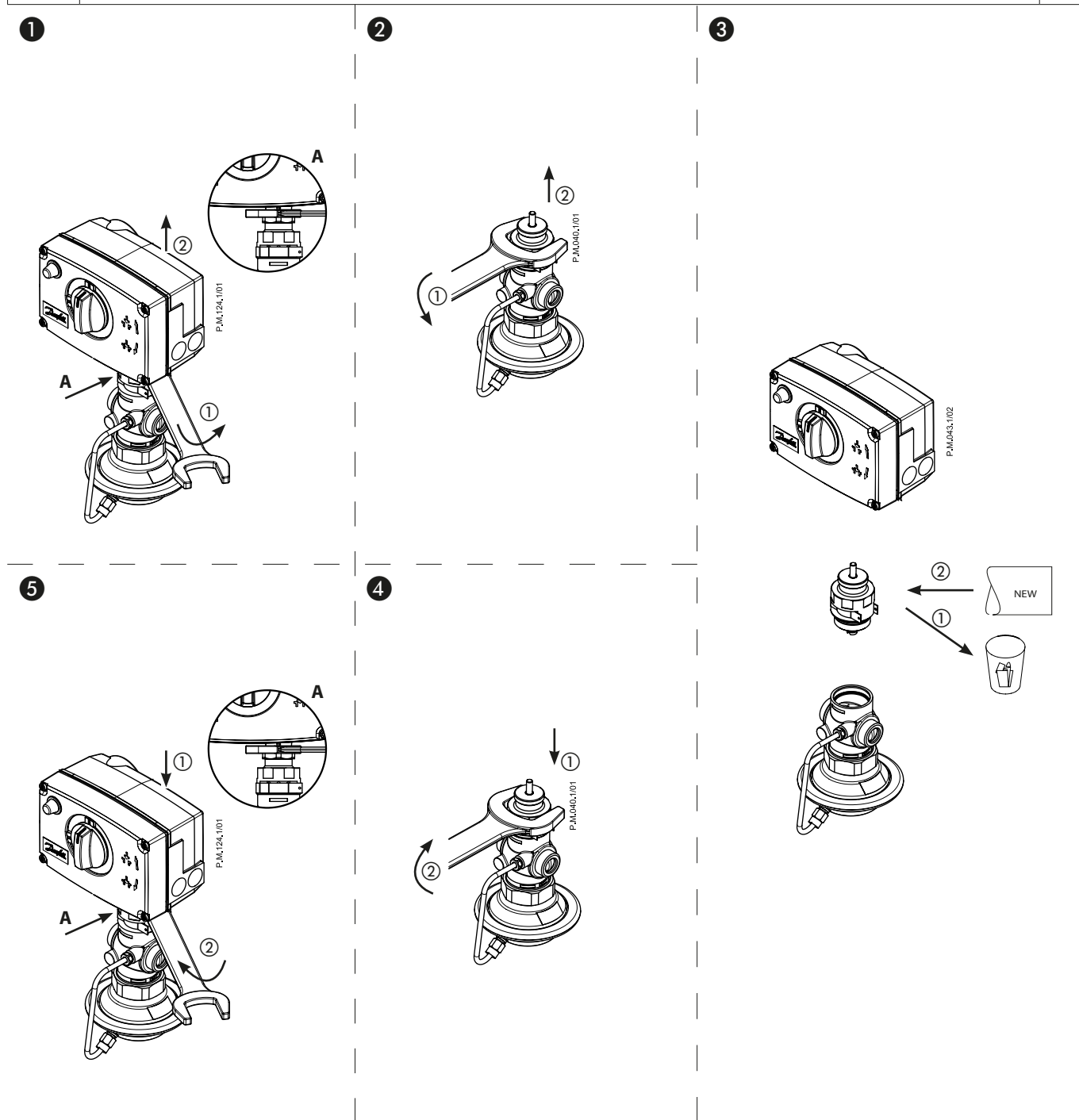
Installation Guide Service kits – Catalogue

PN 16	VG	M1	PN 25	VG, VGF	M2	PN 16	VGS	M1
<p>1</p> 			<p>1</p> 			<p>1</p> 		
<p>2</p> 			<p>2</p> 			<p>2</p> 		
<p>3</p> 			<p>3</p> 			<p>3</p> 		

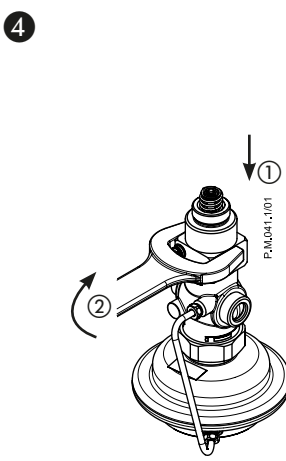
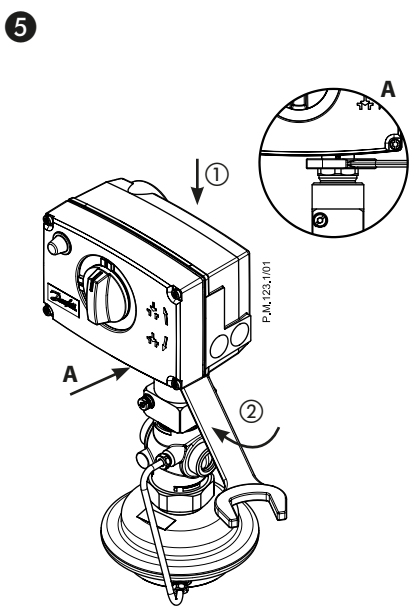
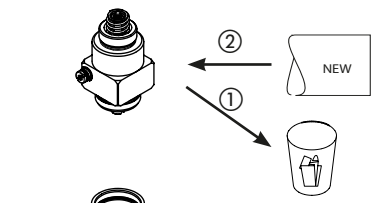
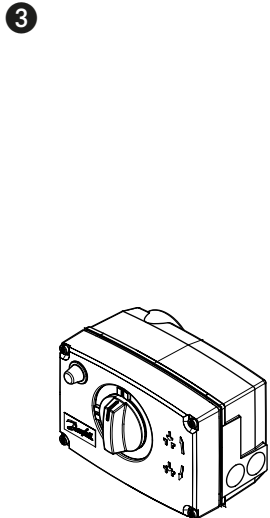
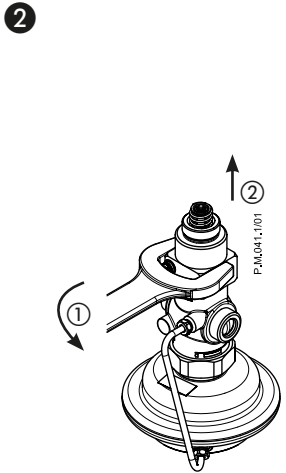
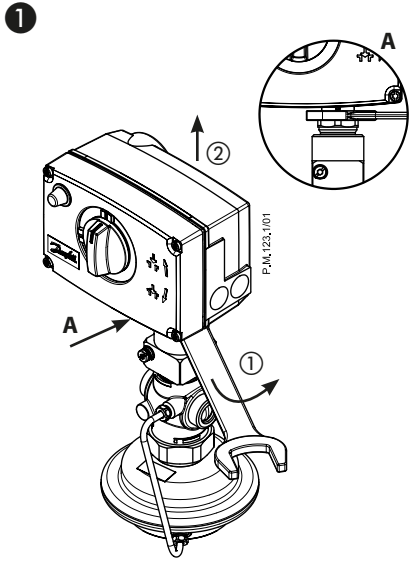
Installation Guide Service kits – Catalogue

PN 16	M1	PN 25	M1	M2					
					<table border="1"> <tr> <td>M1</td> <td>CuSn5ZnPb (Rg5)</td> </tr> <tr> <td>M2</td> <td>EN-GJS-400-18-LT (GGG 40.3)</td> </tr> </table>	M1	CuSn5ZnPb (Rg5)	M2	EN-GJS-400-18-LT (GGG 40.3)
M1	CuSn5ZnPb (Rg5)								
M2	EN-GJS-400-18-LT (GGG 40.3)								

PN 16				M1
-------	--	--	--	----



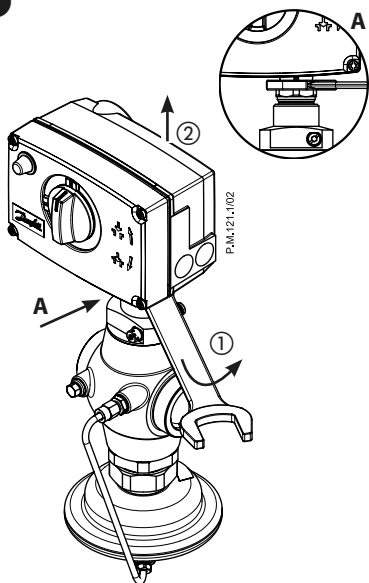
PN 25 M1



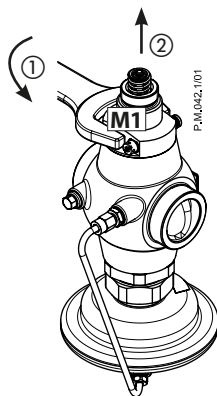
PN 25

M2

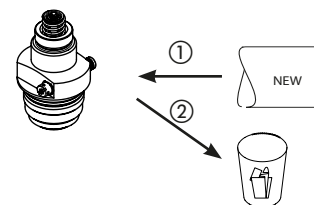
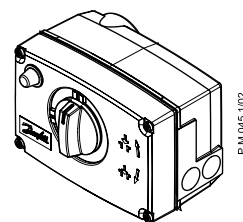
1



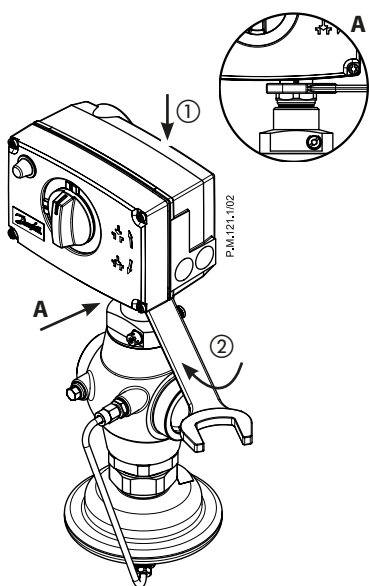
2



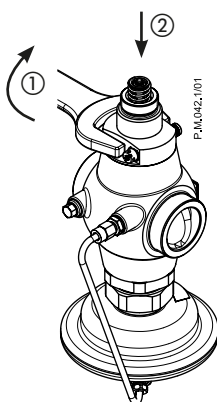
3



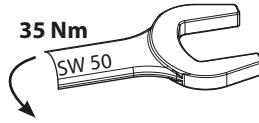
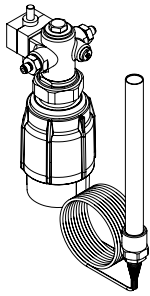
5



4



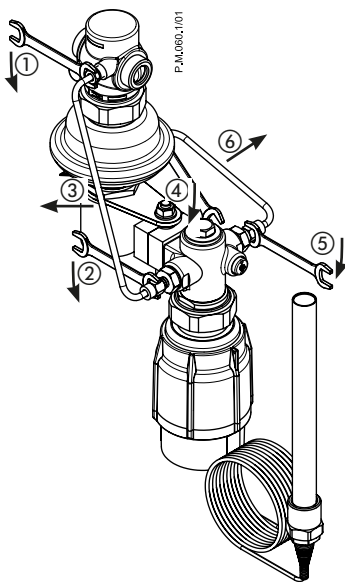
Installation Guide Service kits – Catalogue



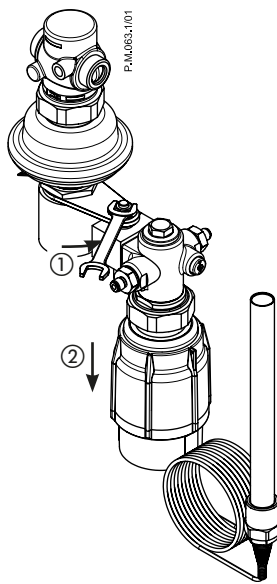
PN 25 STL

M1, M2

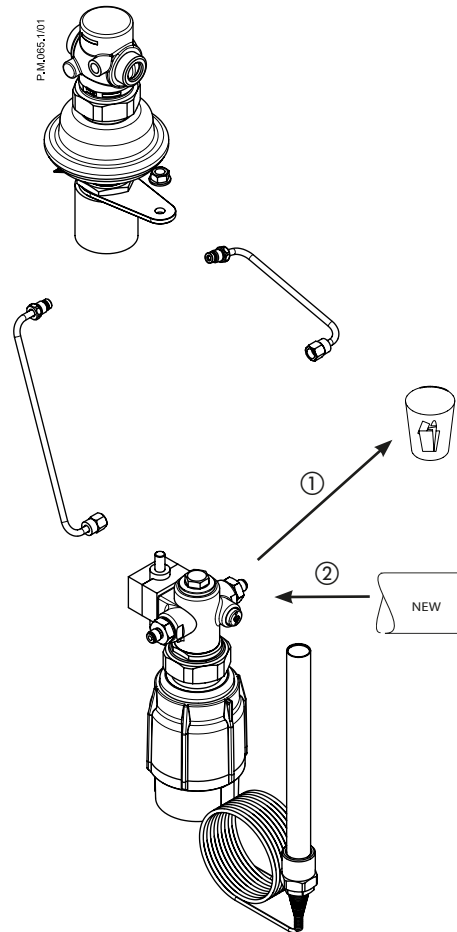
1



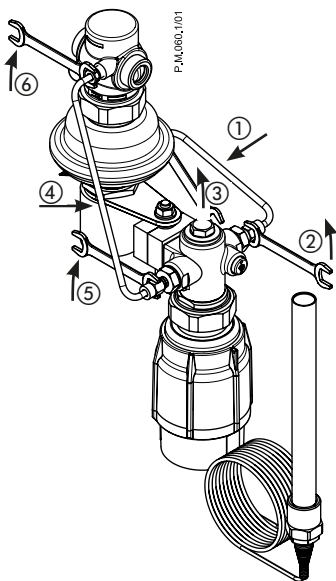
2



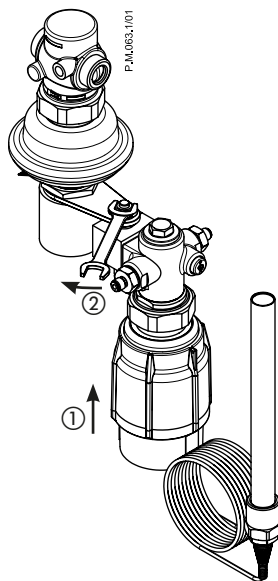
3

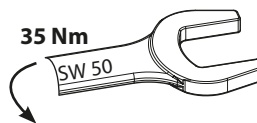
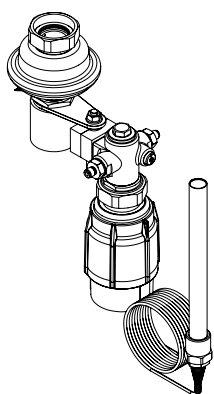


5



4





PN 25 STL

M1, M2

