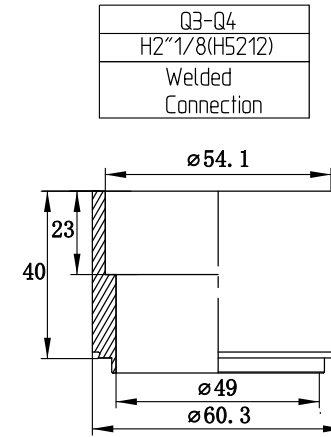
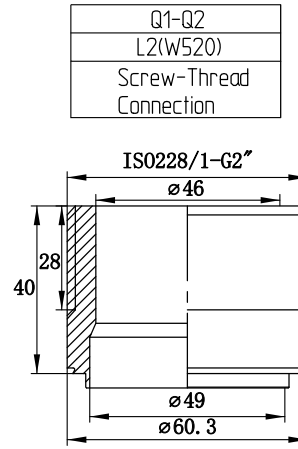



Note: Add unit foot

ID	RIDAN Code	Drawing No.	Model	Plates(n)	A	WEIGHT	VOLUME
1	021H9040R	2305506	095B	40	123	20.79Kg	Q1Q2:5L/Q3Q4:4.75L

①



DESIGN DATA	
DESIGN PRESSURE	3.0MPa
TEST PRESSURE	4.5MPa
DESIGN TEMPERATURE	-196/+225
LEAKAGE TEST	Helium Test
PLATE MATERIAL	316L
PIPE MATERIAL	304
FRAME MATERIAL	304

Assembly drawing	DEPARTMENT	Sales	DATE	2022/05/06	SCALE	1:1	 DESIGNATION RD-095B-40-3.0-L-Q1Q2(L2)/Q3Q4(H2"1/8)/4-M8*23
	DESIGNER	JLN	DATE	2022/05/06	SCALE	1:1	
	INSPECTOR	ZJF	DATE	2022/05/06	SCALE	1:1	
	APPROVAL	FL	DATE	2022/05/06	SCALE	1:1	
DRAWING NO.		2305506		REV		1	

Version	Change date	Description	State	Designer
1	2022/06/28	Change RIDAN code from 021H2316R to 021H9040R	①	JLN