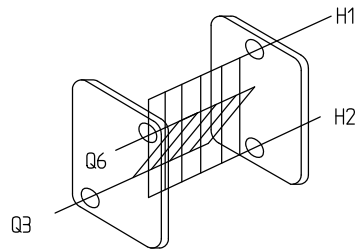
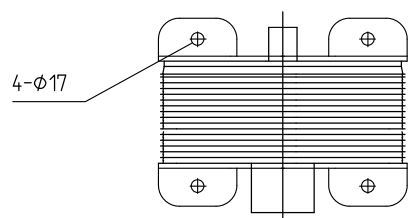
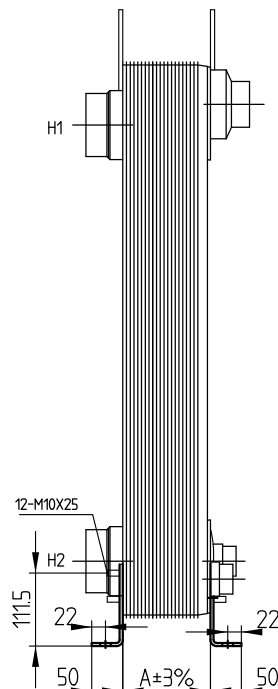
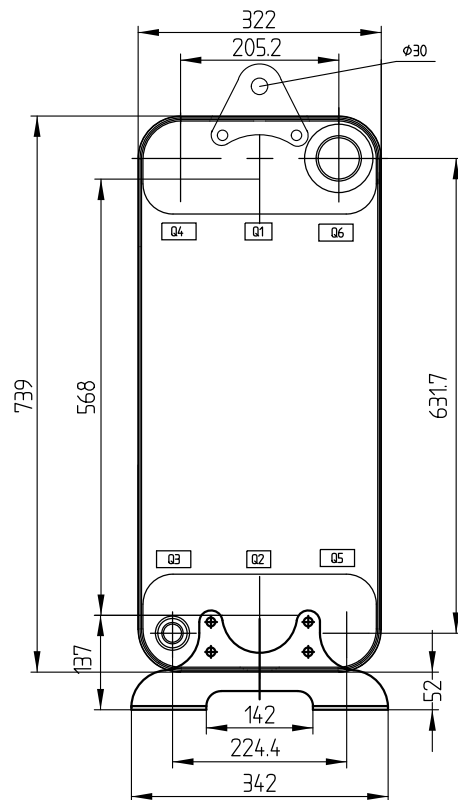
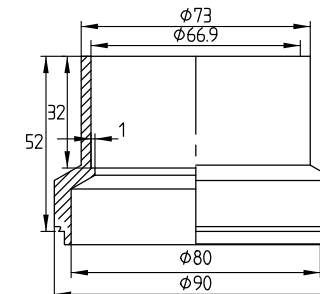
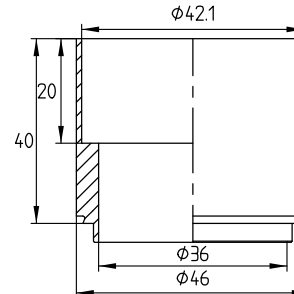


CONTROLLED

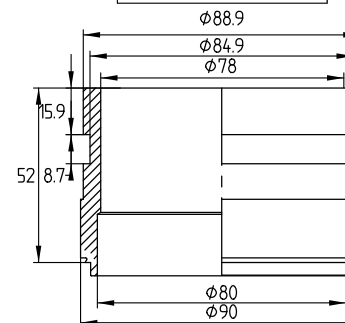


Q3
H1"5/8(H4152)
Welded Connection

Q6
H2"5/8(L825)
Welded Connection



H1-H2
H3"1/8(LJ830)
Victaulic Connection



Note: Add unit foot and lifting lug

DESIGN DATA	
DESIGN PRESSURE	3.0MPa
TEST PRESSURE	4.5MPa
DESIGN TEMPERATURE	-196/+225
LEAKAGE TEST	Helium Test
PLATE MATERIAL	316L
PIPE MATERIAL	304
FRAME MATERIAL	304

ID	RIDAN Code	Drawing No.	Model	Plates(n)	A	WEIGHT	VOLUME
1	021B9664R	2305504	210	70	191	64.7Kg	Q3Q6:17L/H1H2:17.5L

Assembly drawing	DEPARTMENT	Sales	DATE	2022/05/06	SCALE			
	DESIGNER	JLN	2022/05/06					
	INSPECTOR	ZJF	2022/05/06					
	APPROVAL	FL	2022/05/06					
DRAWING NO.							2305504	REV 0

DESIGNATION RD-210-70-3.0-HQ-H1H2 (H3"1/8)/Q3(H1"5/8)/Q6(H2"5/8)/12-M10\*25