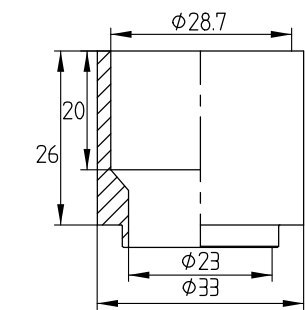
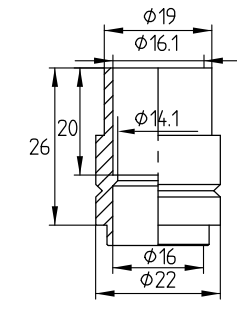
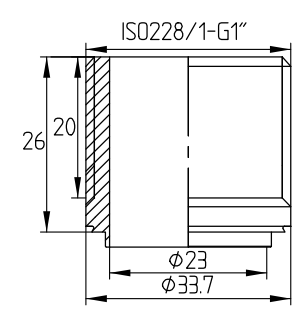


Q1-Q2
L1(W210)
Screw-Thread Connection

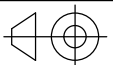
Q3
H5/8(D1161)
Welded Connection

Q4
H1"1/8(H2116)
Welded Connection



ID	RIDAN Code	Drawing No.	Model	Plates(n)	A	WEIGHT	VOLUME
1	021B4541R	2305480-01	052	30	79	7.78Kg	Q1Q2:1.5L/Q3Q4:1.4L
2	021B4542R	2305480-02	052	34	89	8.56Kg	Q1Q2:1.7L/Q3Q4:1.6L
3	021B4543R	2305480-03	052	40	102	9.74Kg	Q1Q2:2.0L/Q3Q4:1.9L

DESIGN DATA	
DESIGN PRESSURE	3.0MPa
TEST PRESSURE	4.5MPa
DESIGN TEMPERATURE	-196/+225
LEAKAGE TEST	Helium Test
PLATE MATERIAL	316L
PIPE MATERIAL	304
FRAME MATERIAL	304

Assembly drawing	DEPARTMENT	Sales	DATE	SCALE	 <b>ридан®</b> DESIGNATION RD-052-n-3.0-HQ-Q1Q2(L1)/Q3(H5/8)/Q4(H1"1/8)
	DESIGNER	JLN	2022/05/06		
	INSPECTOR	ZJF	2022/05/06		
	APPROVAL	FL	2022/05/06		
DRAWING NO.			2305480	REV 0	