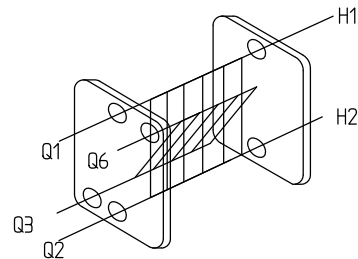
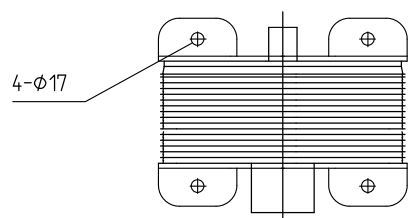
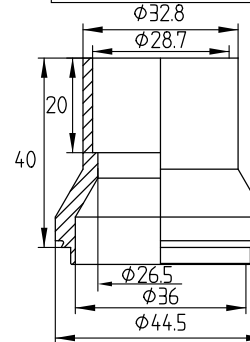


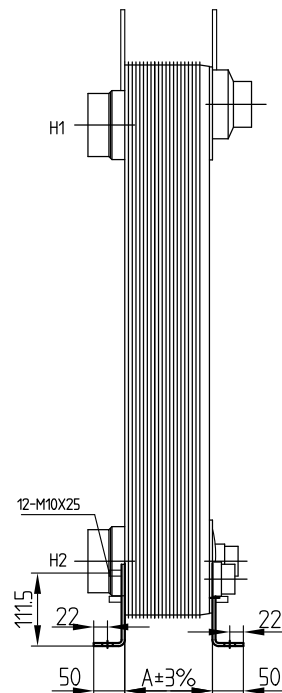
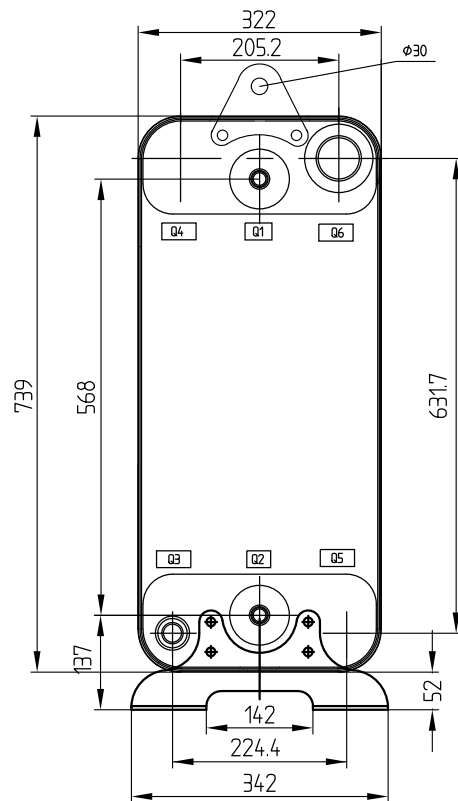
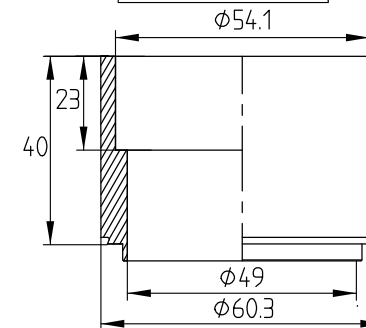
CONTROLLED



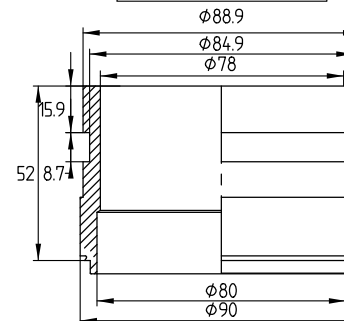
Q3
H1"1/8(H4114)
Welded
Connection



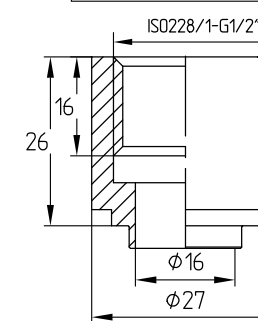
Q6
H2"1/8(H5212)
Welded
Connection



H1-H2
H3"1/8(LJ830)
Victaulic
Connection



Q1-Q2
N1/2(N104)
Thread
Connection



Note: Add unit foot and lifting lug

DESIGN DATA	
DESIGN PRESSURE	4.5MPa
TEST PRESSURE	6.75MPa
DESIGN TEMPERATURE	-196/+225
LEAKAGE TEST	Helium Test
PLATE MATERIAL	316L
PIPE MATERIAL	304
FRAME MATERIAL	304

ID	RIDAN Code	Drawing No.	Model	Plates(n)	A	WEIGHT	VOLUME
1	021B9633R	2305503	210	70	191	64.7Kg	Q3Q6:17L/H1H2:17.5L

Assembly drawing	DEPARTMENT	Sales	DATE	2022/05/06	SCALE		
	DESIGNER	JLN	2022/05/06				
	INSPECTOR	Z JF	2022/05/06				
	APPROVAL	FL	2022/05/06				
DRAWING NO.		2305503		REV		0	

RD-210-70-4.5-HQ-Q1Q2
DESIGNATION (N1/2)/Q3(H1"1/8)/Q6(H2"1/8)
/H1H2(H3"1/8)/12-M10*25