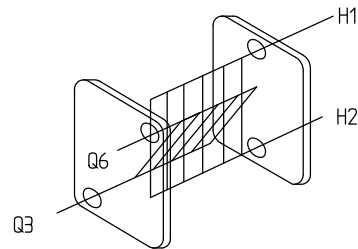
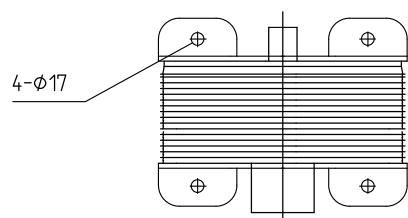
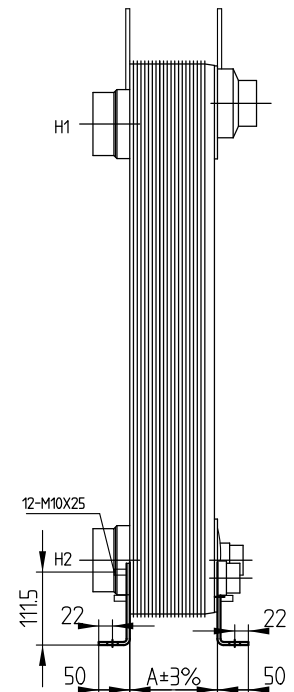
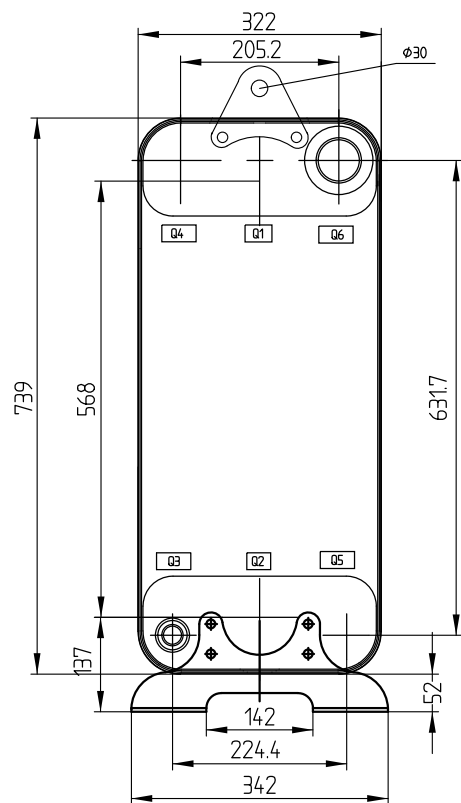
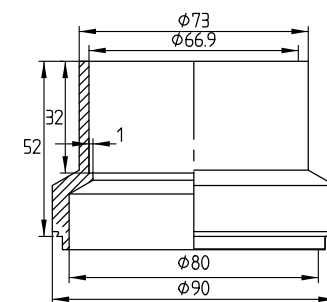
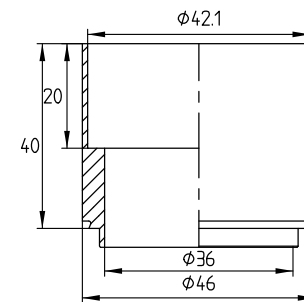


CONTROLLED

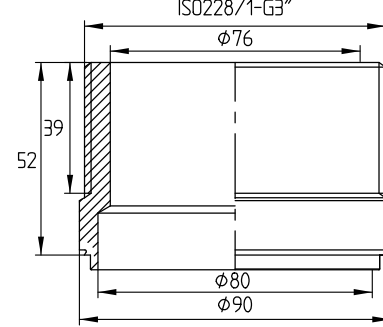


Q3
H1 5/8 (H4152)
Welded Connection

Q6
H2 5/8 (L825)
Welded Connection



H1-H2
L3 (LW830)
Screw Thread Connection



Note: Add unit foot and lifting lug

		DESIGN DATA				
DESIGN PRESSURE		3.0MPa				
TEST PRESSURE		4.5MPa				
DESIGN TEMPERATURE		-196/+225				
LEAKAGE TEST		Helium Test				
PLATE MATERIAL		316L				
PIPE MATERIAL		304				
FRAME MATERIAL		304				
Assembly drawing	DEPARTMENT	Sales	DATE	SCALE	 DESIGNATION RD-210-50-3.0-HQ-H1H2(L3)/Q3(H1 5/8)/Q6(H2 5/8)/12-M10*25	
	DESIGNER	JLN	2022/05/06			
	INSPECTOR	ZJF	2022/05/06			
	APPROVAL	FL	2022/05/06	DRAWING NO.		2305505

ID	RIDAN Code	Drawing No.	Model	Plates(n)	A	WEIGHT	VOLUME
1	021B9788R	2305505	210	50	139	48.3Kg	Q3Q6:12L/H1H2:12.5L