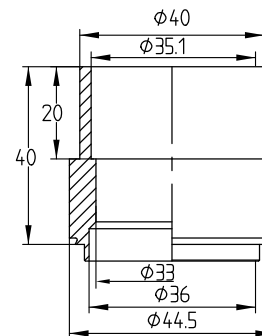
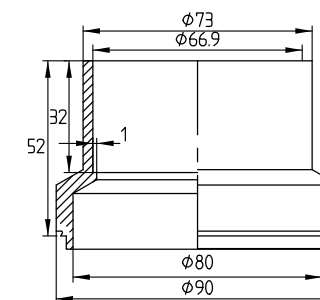


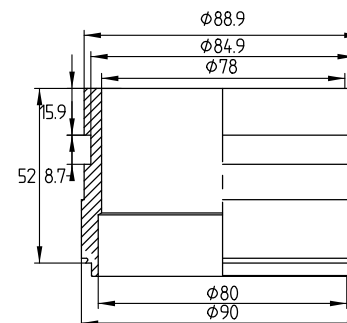
| |
|-------------------|
| Q3-Q5 |
| H1"3/8(LH4138) |
| Welded Connection |



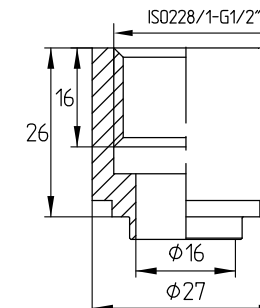
| |
|-------------------|
| Q4-Q6 |
| H2"5/8(L825) |
| Welded Connection |



| |
|----------------------|
| H1-H2 |
| H3"1/8(LJ830) |
| Victaulic Connection |



| |
|-------------------|
| Q1-Q2 |
| N1/2(N104) |
| Thread Connection |



| ID | RIDAN Code | Drawing No. | Model | Plates(n) | A | WEIGHT | VOLUME |
|----|------------|-------------|-------|-----------|-----|---------|----------------------------------|
| 1 | 021H8421R | 2305525-01 | 210 | 230 | 608 | 178.6Kg | H1H2:57.5L/Q3Q6:28.5L/Q4Q5:28.5L |
| 2 | 021H8422R | 2305525-02 | 210 | 218 | 577 | 170Kg | H1H2:54.5L/Q3Q6:27L/Q4Q5:27L |

| | | DESIGN DATA | |
|--------------------|--|-------------|--|
| DESIGN PRESSURE | | 4.5MPa | |
| TEST PRESSURE | | 6.75MPa | |
| DESIGN TEMPERATURE | | -196/+225 | |
| LEAKAGE TEST | | Helium Test | |
| PLATE MATERIAL | | 316L | |
| PIPE MATERIAL | | 304 | |
| FRAME MATERIAL | | 304 | |

| | | | | | | |
|------------------|------------|-------|------------|-------|---|--|
| Assembly drawing | DEPARTMENT | Sales | DATE | SCALE | | |
| | DESIGNER | JLN | 2022/05/06 | | | |
| | INSPECTOR | ZJF | 2022/05/06 | | | |
| | APPROVAL | FL | 2022/05/06 | | | |
| DRAWING NO. | | | 2305525 | | DESIGNATION RD-210-n-4.5-HDQ-Q1Q2(N1/2)/Q3Q5(H1"3/8)/Q4Q6(H2"5/8)/H1H2(H3"1/8)/12-M10*25 REV 0 | |