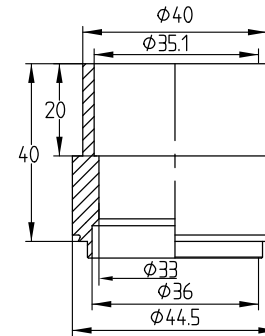
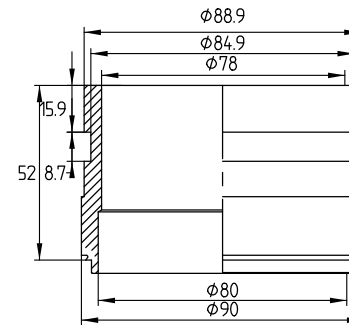


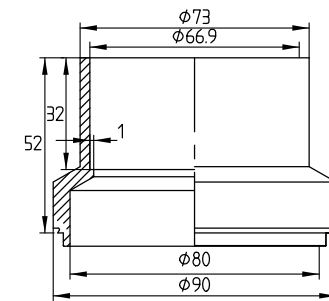
Q3-Q5
H1"3/8(H4138)
Welded Connection



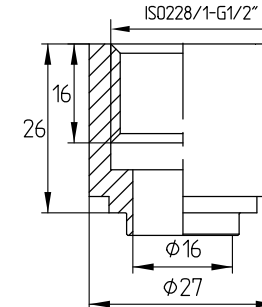
H1-H2
H3"1/8(LJ830)
Victaulic Connection



Q4-Q6
H2"5/8(L825)
Welded Connection



Q1-Q2
N1/2(N104)
Thread Connection



ID	RIDAN Code	Drawing No.	Model	Plates(n)	A	WEIGHT	VOLUME
1	021H8421R	2305525-01	210	230	608	178.6Kg	H1H2:57.5L/Q3Q6:28.5L/Q4Q5:28.5L
2	021H8422R	2305525-02	210	218	577	170Kg	H1H2:54.5L/Q3Q6:27L/Q4Q5:27L

		DESIGN DATA	
DESIGN PRESSURE		4.5MPa	
TEST PRESSURE		6.75MPa	
DESIGN TEMPERATURE		-196/+225	
LEAKAGE TEST		Helium Test	
PLATE MATERIAL		316L	
PIPE MATERIAL		304	
FRAME MATERIAL		304	

Assembly drawing	DEPARTMENT	Sales	DATE	SCALE		
	DESIGNER	JLN	2022/05/06			
	INSPECTOR	ZJF	2022/05/06			
	APPROVAL	FL	2022/05/06			
DRAWING NO.					2305525	DESIGNATION
						RD-210-n-4.5-HDQ-Q1Q2(N1/2)/Q3Q5(H1"3/8)/Q4Q6(H2"5/8)/H1H2(H3"1/8)/12-M10*25
						REV
						0