

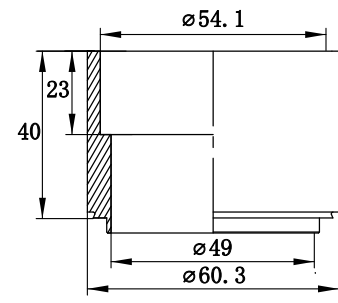
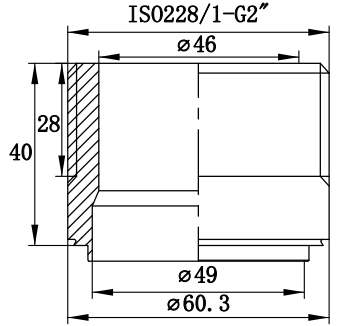
Note: Add unit foot

ID	RIDAN Code	Drawing No.	Model	Plates(n)	A	WEIGHT	VOLUME
1	021H9030R	2305530	095B	30	95	17.14Kg	H1H2:3.75L/Q3Q4:3.5L

①

H1-H2
L2 (W520)
Screw-Thread Connection

Q3-Q4
H2' 1/8 (H5212)
Welded Connection



		DESIGN DATA	
DESIGN PRESSURE		3.0MPa	
TEST PRESSURE		4.5MPa	
DESIGN TEMPERATURE		-196/+225	
LEAKAGE TEST		Helium Test	
PLATE MATERIAL		316L	
PIPE MATERIAL		304	
FRAME MATERIAL		304	

Assembly drawing	DEPARTMENT	Sales	DATE	SCALE	 DESIGNATION RD-095B-30-3.0-L-H1H2 (L2) / Q3Q4 (H2'1/8) / 4-M8*23	
	DESIGNER	JLN	2022/05/06			
	INSPECTOR	ZJF	2022/05/06			
	APPROVAL	FL	2022/05/06	DRAWING NO.		2305530

Version	Change date	Description	State	Designer
1	2022/06/28	Change RIDAN code from 021H9796R to 021H9030R	①	JLN