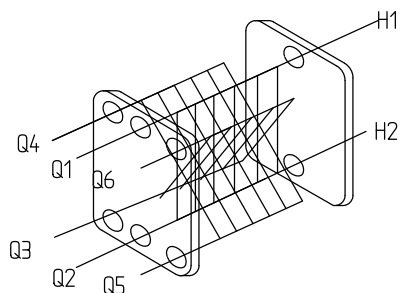
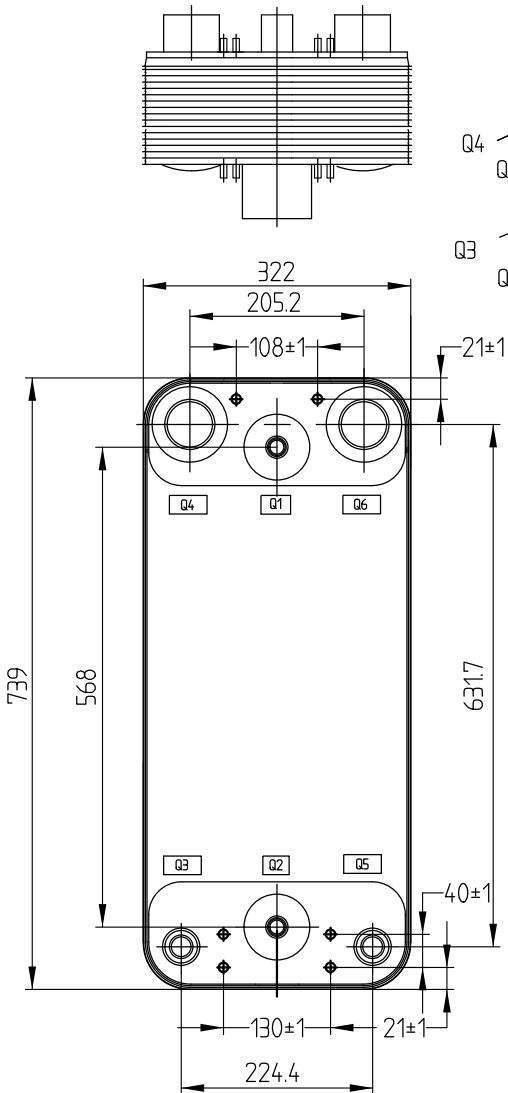
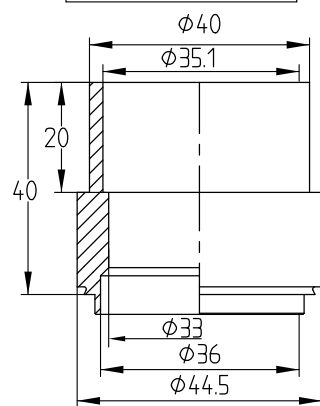


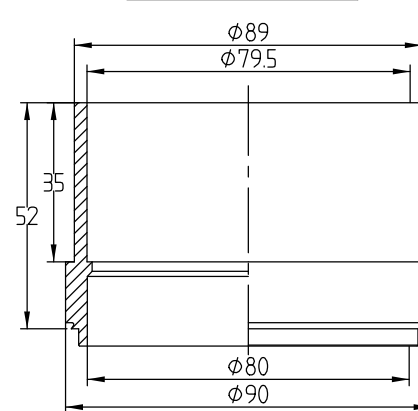
CONTROLLED



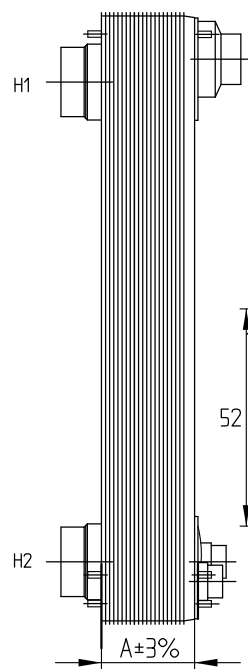
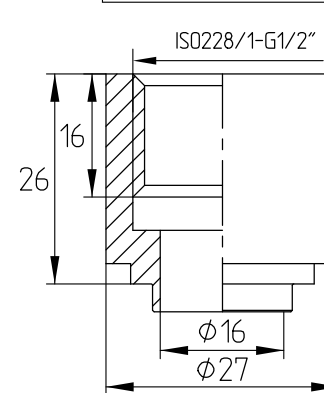
Q3Q5
H1"3/8(H4138)
Soldering Connection



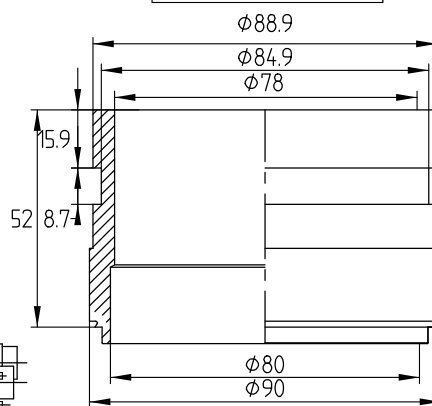
Q4Q6
H3"1/8(L8312)
Soldering Connection



Q1Q2
N1/2"(N104)
Thread Connection



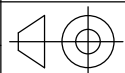

H1H2
H3"1/8D(LJ830)
Victaulic Connection



Note: front and back frame welding 12-M10X25 bolts

ID	RIDAN Code	Drawing No.	Model	Plates(n)	A	WEIGHT	VOLUME
1	021H8401R	2306586	210	226	598	183Kg	H1H2:56.5L/Q3Q6:27.75L/Q4Q5:27.75L

DESIGN DATA	
DESIGN PRESSURE	4.5Mpa
TEST PRESSURE	6.75MPa
DESIGN TEMPERATURE	-196/+225
LEAKAGE TEST	Helium Test
PLATE MATERIAL	316L
PIPE MATERIAL	304
FRAME MATERIAL	304

Assembly drawing	DEPARTMENT Sales	DATE	SCALE		
	DESIGNER JLN	2022/06/26			
	INSPECTOR ZJF	2022/06/26			
	APPROVAL FL	2022/06/26			
DRAWING NO.				2306586	REV 0

DESIGNATION RD-210-226-4.5-HDQ Q1Q2(N1/2)/Q3Q5(H1"3/8)/Q4Q6(H3"1/8)/H1H2 (H3"1/8)/12-M10\*25