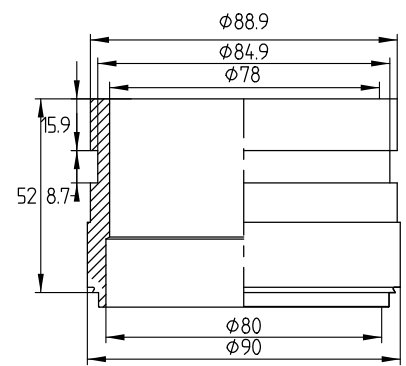
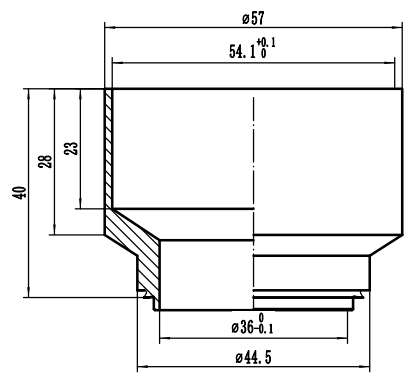


Q3
H2"1/8(H412)
Soldering Connection

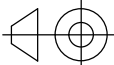

H1H2Q6
H3"1/8D(LJ830)
Soldering Connection



Note: Add unit foot and lifting lug

DESIGN DATA	
DESIGN PRESSURE	3.0Mpa
TEST PRESSURE	4.5MPa
DESIGN TEMPERATURE	-196/+225
LEAKAGE TEST	Helium Test
PLATE MATERIAL	316L
PIPE MATERIAL	304
FRAME MATERIAL	304

ID	RIDAN Code	Drawing No.	Model	Plates(n)	A	WEIGHT	VOLUME
1	021H4782R	2306592	210	90	243	79Kg	H1H2:22.5L/Q3Q6:22L

Assembly drawing	DEPARTMENT Sales	DATE 2022/06/26	SCALE		
	DESIGNER JLN	2022/06/26			
	INSPECTOR ZJF	2022/06/26	DRAWING NO.		
	APPROVAL FL	2022/06/26			
DESIGNATION RD-210-90-3.0-HQ-H1H2Q6 (H3"1/8)/Q3(H2"1/8)/12-M10*25					REV 0