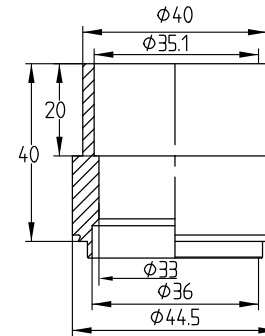
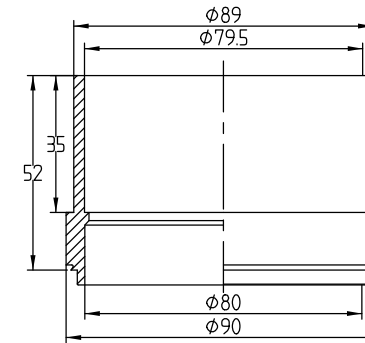


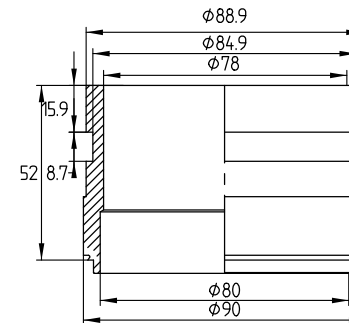
Q3
H1 3/8 (H4138)
Welded Connection



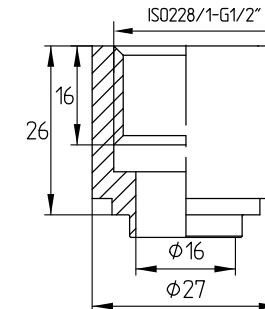
Q6
H3 1/8 (L8312)
Welded Connection



H1-H2
H3 1/8 (LJ830)
Victaulic Connection



Q1-Q2
N1/2 (N104)
Thread Connection



ID	RIDAN Code	Drawing No.	Model	Plates(n)	A	WEIGHT	VOLUME
1	021H8448R	2305526	210	134	358	109.48Kg	H1H2:33.5L/Q3Q6:33L

DESIGN DATA	
DESIGN PRESSURE	4.5MPa
TEST PRESSURE	6.75MPa
DESIGN TEMPERATURE	-196/+225
LEAKAGE TEST	Helium Test
PLATE MATERIAL	316L
PIPE MATERIAL	304
FRAME MATERIAL	304

Assembly drawing	DEPARTMENT	Sales	DATE	SCALE	 RD-210-134-4.5-HQ-Q1Q2(N1/2) DESIGNATION /Q3(H1 3/8)/Q6(H3 1/8)/ H1H2(H3 1/8)/12-M10*25
	DESIGNER	JLN	2022/05/06		
	INSPECTOR	Z JF	2022/05/06		
	APPROVAL	FL	2022/05/06		
DRAWING NO.			2305526		REV 0