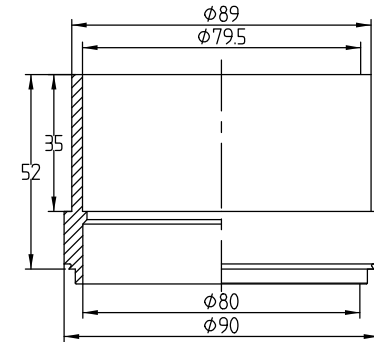
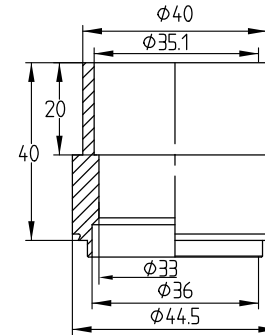


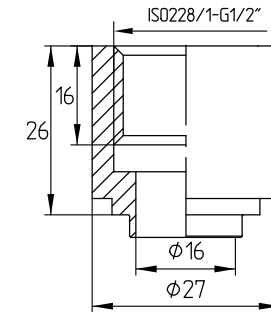
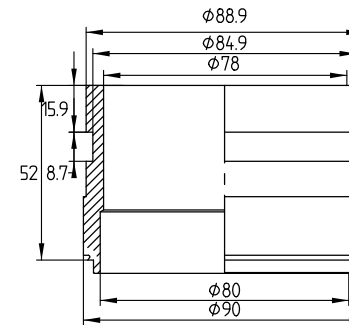
Q3
H1 3/8 (H4138)
Welded Connection

Q6
H3 1/8 (L8312)
Welded Connection



H1-H2
H3 1/8 (LJ830)
Victaulic Connection

Q1-Q2
N1/2 (N104)
Thread Connection



ID	RIDAN Code	Drawing No.	Model	Plates(n)	A	WEIGHT	VOLUME
1	111B6197R	2305533	210	222	587	172.14Kg	H1H2:55.5L/Q3Q6:55L

		DESIGN DATA	
DESIGN PRESSURE		4.5MPa	
TEST PRESSURE		6.75MPa	
DESIGN TEMPERATURE		-196/+225	
LEAKAGE TEST		Helium Test	
PLATE MATERIAL		316L	
PIPE MATERIAL		304	
FRAME MATERIAL		304	

Assembly drawing	DEPARTMENT	Sales	DATE	SCALE	 RD-210-222-4.5-HQ-Q1Q2(N1/2) DESIGNATION /Q3(H1 3/8)/Q6(H3 1/8)/ H1H2(H3 1/8)/12-M10*25
	DESIGNER	JLN	2022/05/06		
	INSPECTOR	Z JF	2022/05/06		
	APPROVAL	FL	2022/05/06		
DRAWING NO.			2305533		REV 0