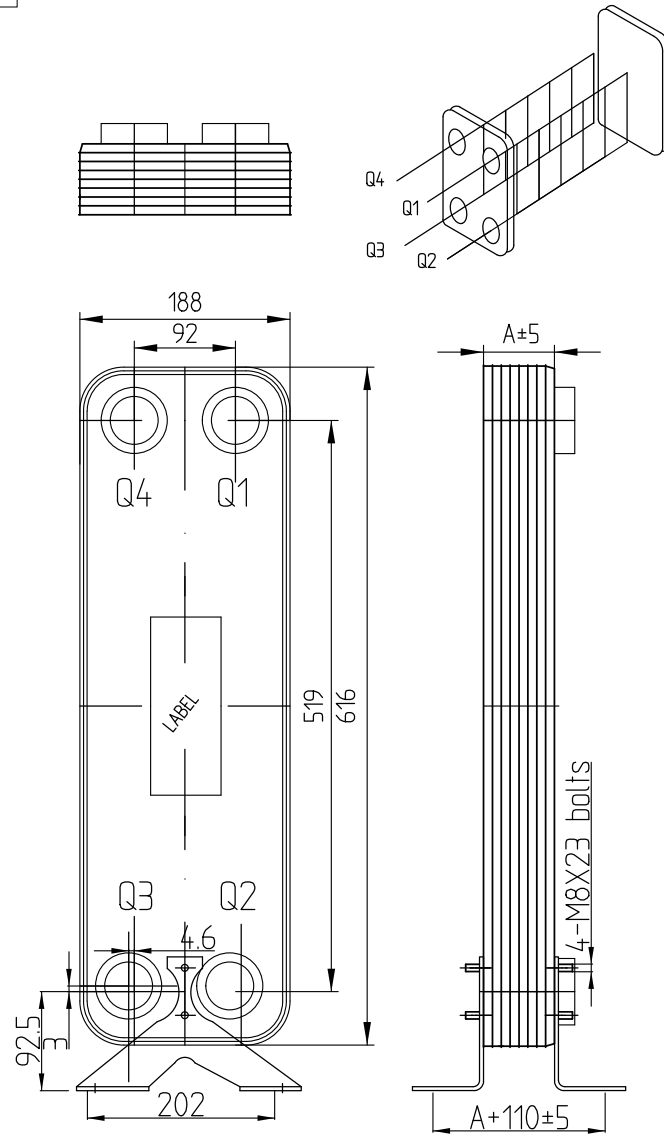
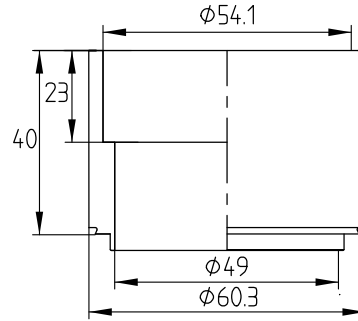


受控

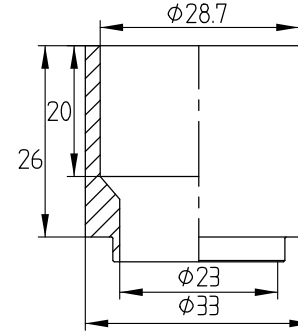


Note : with support feets

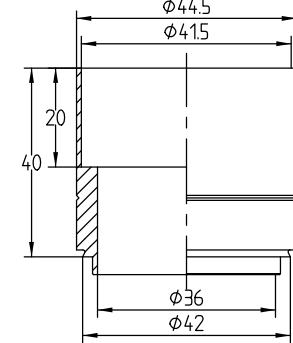
Q1Q2
H2"1/8(H5212)
Welded Connection



Q3
H1"1/8(H2116)
Welded Connection



Q4
H1"5/8(H4415)
Welded Connection



ID	RIDAN Code	Drawing No.	Model	Plates(n)	A	WEIGHT	VOLUME
1	021H9560R	2306682	095	60	149	30Kg	Q1Q2:6L/Q3Q5:8L

		DESIGN DATA	
DESIGN PRESSURE		3.0MPa	
TEST PRESSURE		4.5MPa	
DESIGN TEMPERATURE		-196/+225	
LEAKAGE TEST		Helium Test	
PLATE MATERIAL		316L	
PIPE MATERIAL		304	
FRAME MATERIAL		304	
Assembly drawing	DEPARTMENT Sales	DATE	SCALE
	DESIGNER JLN	2022/06/29	
	INSPECTOR ZJF	2022/06/29	
	APPROVAL FL	2022/06/29	DRAWING NO.
		DESIGNATION RD-095-60-3.0-HQ-Q1Q2(H2"1/8)/Q3(H1"1/8)Q4(H1"5/8)	
		2306682 REV 0	