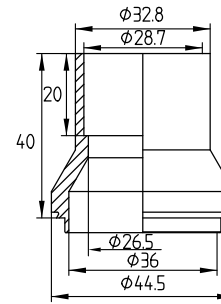
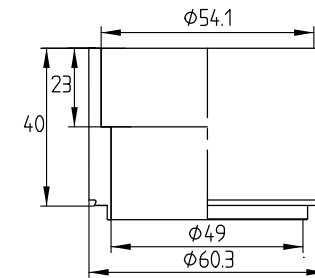


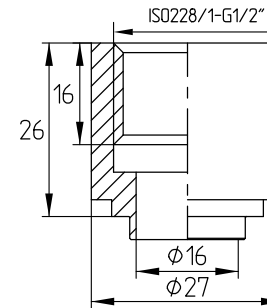
Q3-Q5
H1"1/8(H4114)
Welded Connection



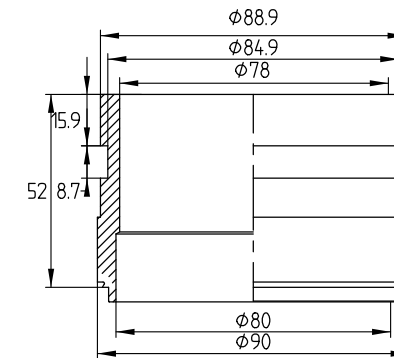
Q4-Q6
H2"1/8(H5212)
Welded Connection



Q1-Q2
N1/2(N104)
Thread Connection





H1-H2
H3"1/8(LJ830)
Victaulic Connection



ID	RIDAN Code	Drawing No.	Model	Plates(n)	A	WEIGHT	VOLUME
1	021H8282R	2306608	210	70	191	64Kg	H1H2:17.5L/Q3Q6:8.25L/Q4Q5:8.25L

DESIGN DATA	
DESIGN PRESSURE	3.0MPa
TEST PRESSURE	4.5MPa
DESIGN TEMPERATURE	-196/+225
LEAKAGE TEST	Helium Test
PLATE MATERIAL	316L
PIPE MATERIAL	304
FRAME MATERIAL	304

Assembly drawing	DEPARTMENT	Sales	DATE	SCALE	 RD-210-70-3,0-HDQ- H1H2(H3"1/8)/Q4Q6(H2"1/8)/ Q3Q5(H1"1/8)/Q1Q2(N1/2)
	DESIGNER	JLN	2022/06/25		
	INSPECTOR	ZJF	2022/06/25		
	APPROVAL	FL	2022/06/25	DRAWING NO.	
				REV	0