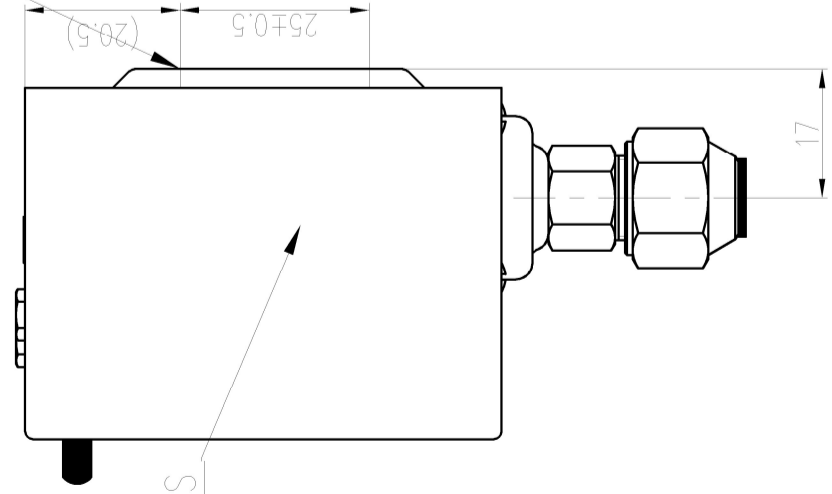
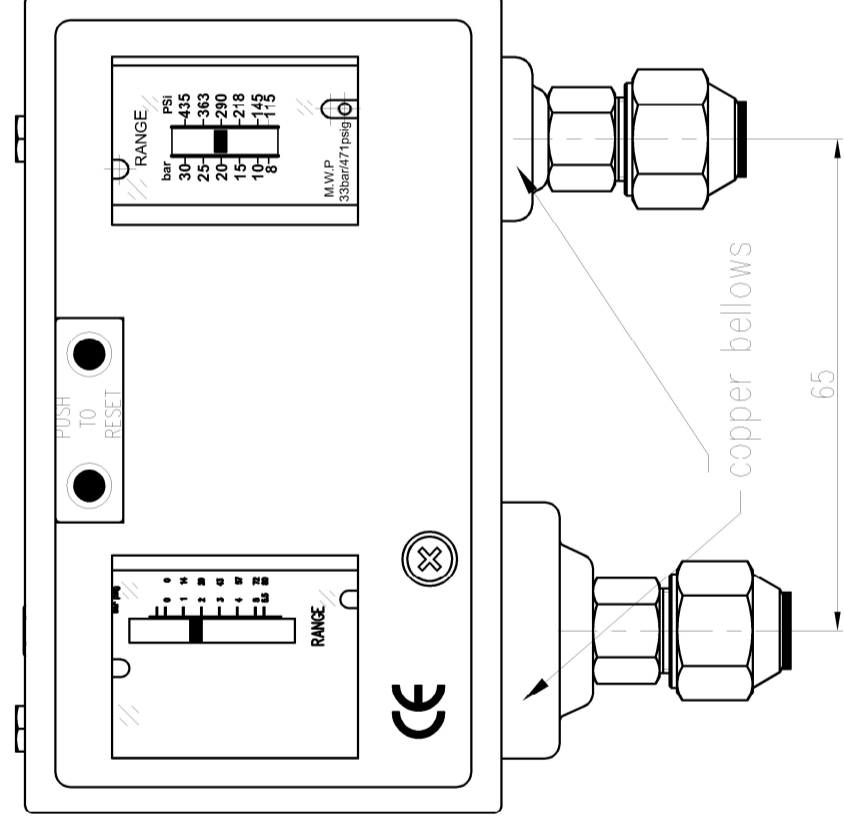


4-M4x0.7

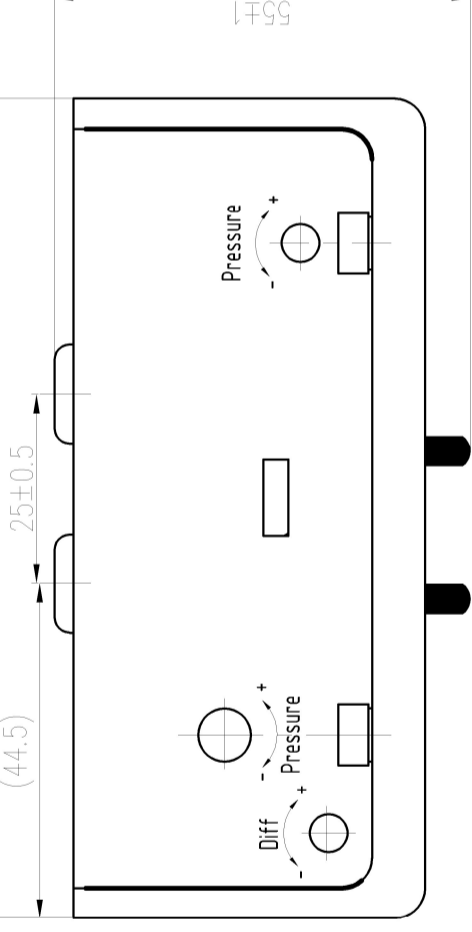
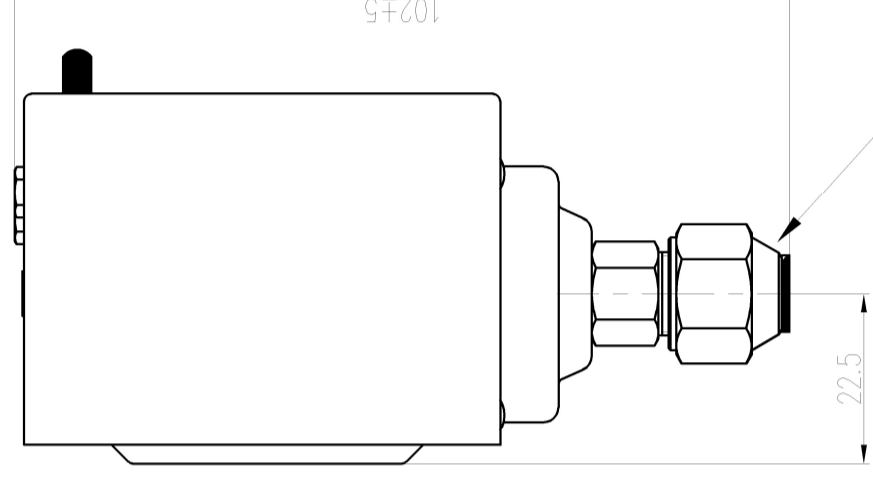
Fitting mounting plate hole



Cover: ABS



copper bellows



Flare Nut: 1 / 4"

SPECIFICATIONS:
 REMARKS:
 SWITCH ACTION :
 RANGE :
 DIFFERENTIAL :

PRESSURE SWITCH
 SPDT*2
 LOW PRESSURE ADJUSTABLE, -0.5~5.5bar
 HIGH PRESSURE ADJUSTABLE, 8-30bar
 LOW PRESSURE ≤1bar(Manual reset)
 HIGH PRESSURE ≤5bar(Manual reset)

MAXIMUM WORKING PRESSURE : LOW PRESSURE 16.5bar
 HIGH PRESSURE 33bar

PRESSURE CONNECTION:
 CUSTOM OPTIONS :

1/4"Flare
 SUPPLIED WITH MOUNTING SCREWS
 LOW PRESSURE FACTORY SET RANGE TO 1bar
 HIGH PRESSURE FACTORY SET RANGE TO 20bar

| | |
|----------------|-----------------|
| SPDT | CONTACT LOAD |
| | 125V AC 250V AC |
| FLA | 16A 8A |
| LRA | 96A 48A |
| RESISTIVE LOAD | 16A 8A |
| PILOT DUTY | 3A 3A |

| | | | | | | | |
|--------------------------|--|-----|--|-------|--|-----------|--|
| DESIGN | | No. | | DATE | | 2022/4/23 | |
| PRESSURE CONTROL DRAWING | | | | | | | |
| 060-124566R | | 2 | | 1 | | 1:1 | |
| | | | | РИДАН | | | |