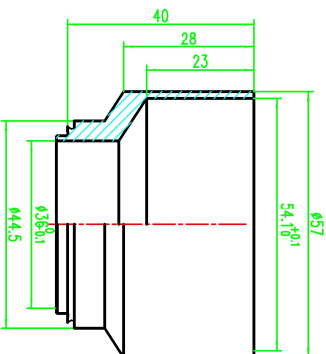
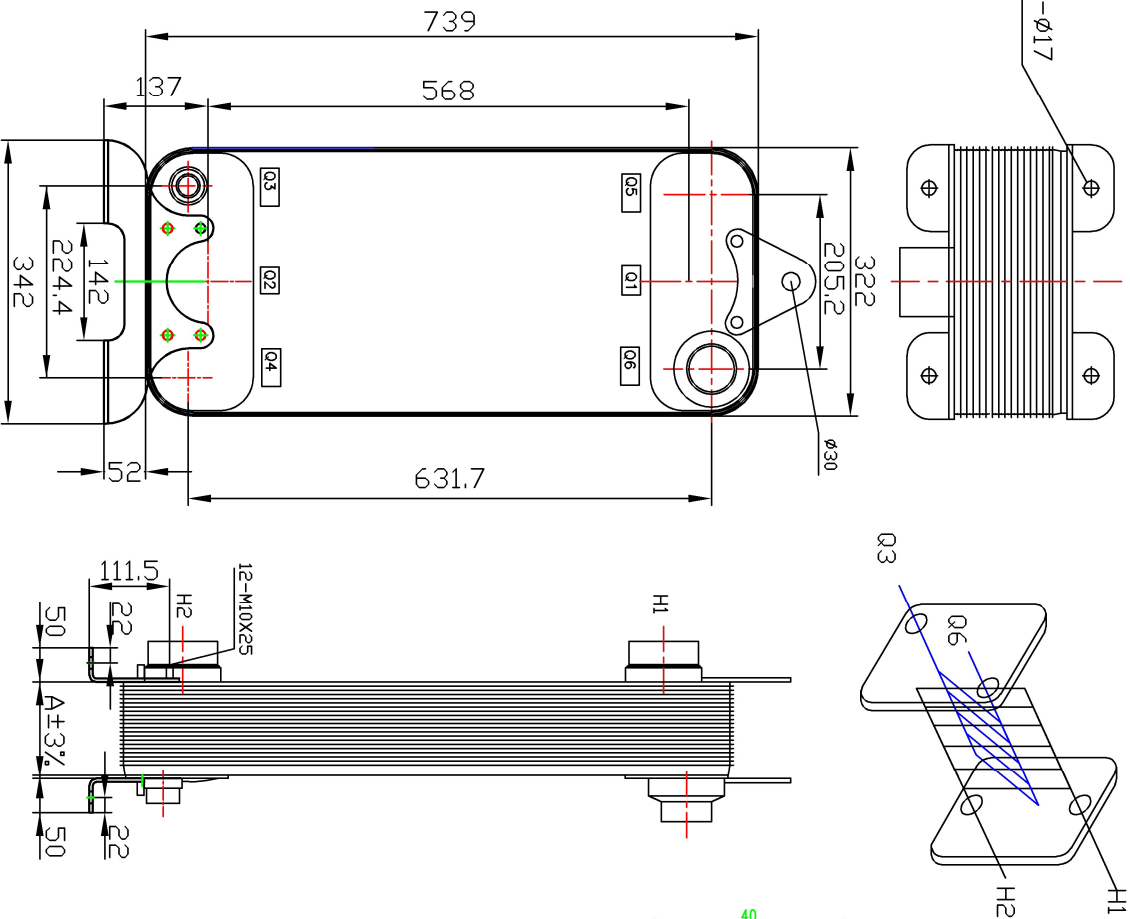
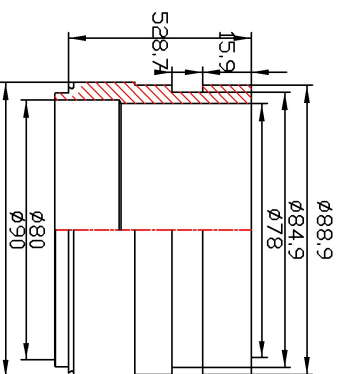


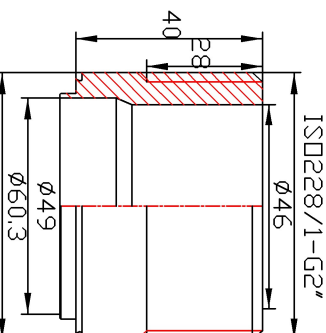
ID	RIDAN Code	Drawing No	Model	Plates(n)	A
1	111B0177R	2307715	210	120	321



Q3
H2"1/8(H421)
Solder connection



Q6
H3"1/8(LJ830)
Solder connection



H1-H2
L2(W520)
Thread connection

DESIGN DATA	
DESIGN PRESSURE	3.0MPa
TEST PRESSURE	4.5MPa
DESIGN TEMPERATURE	-196/+225
LEAKAGE TEST	Helium test
WEIGHT	101Kg
VOLUME	H1H2: 30L Q3Q6: 29.5L
PLATE MATERIAL	316L
PIPE MATERIAL	304
FRAME MATERIAL	304
DATE	2022/08/23
SCALE	1:1
Assembly drawing	
DRAWING NO.	2307715
REV	0



RD-210-120-3.0-H0-
Q3Q6(L1/8)/Q6(H3"1/8)
/H1H2(L2)/12-M10x25