

1 2 3 4 5 6 7 8

A

A

B

B

C

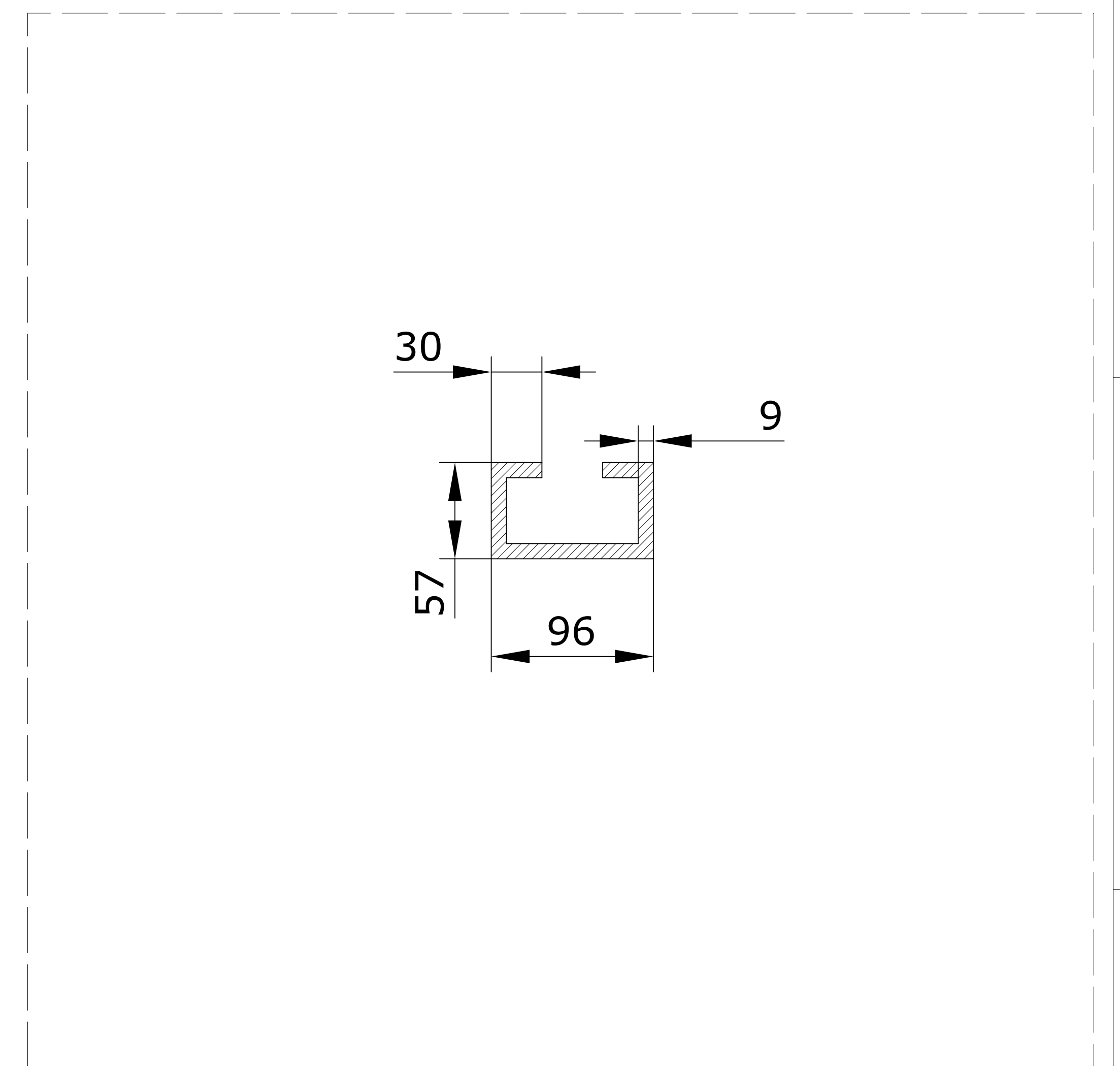
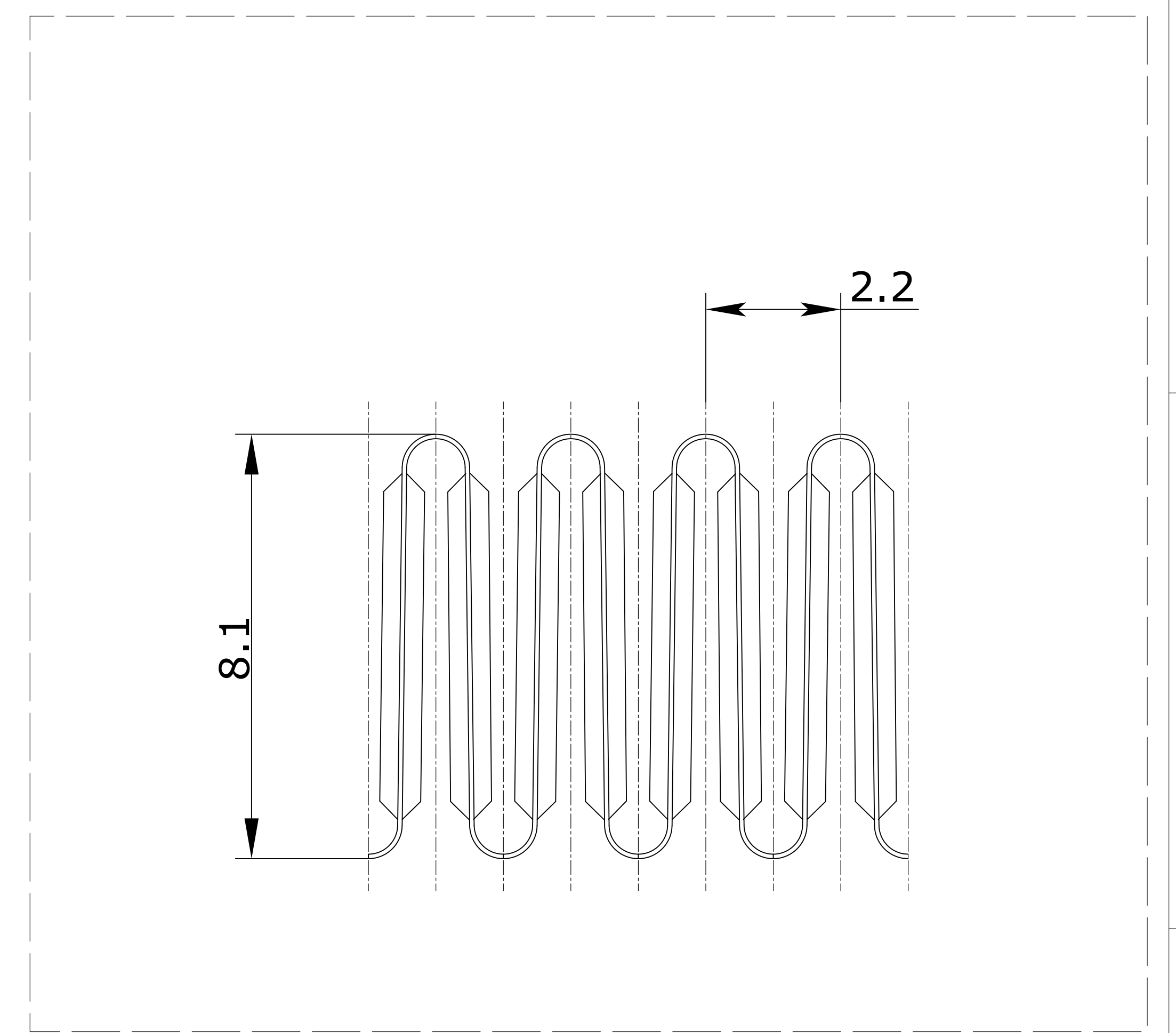
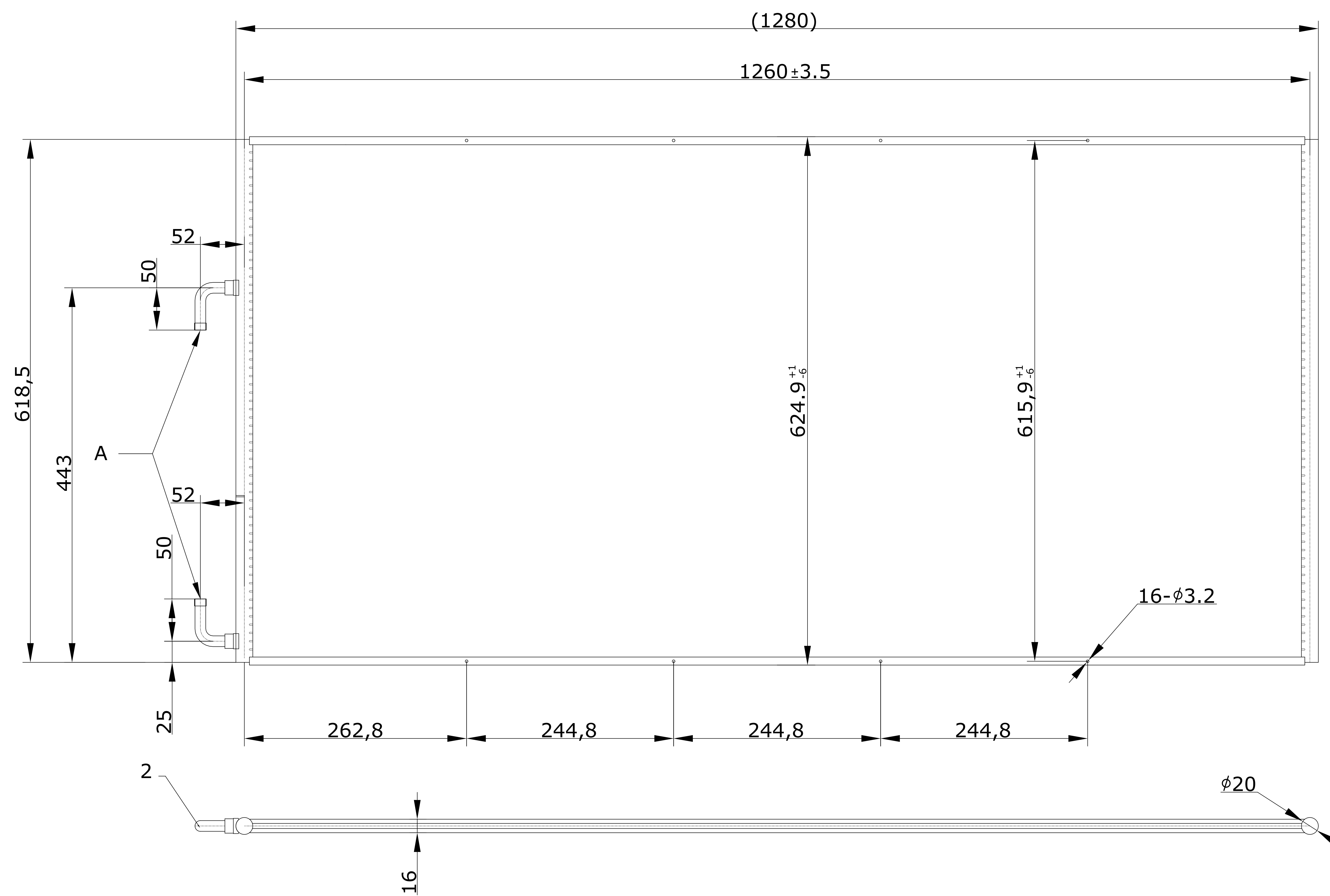
C

D

D

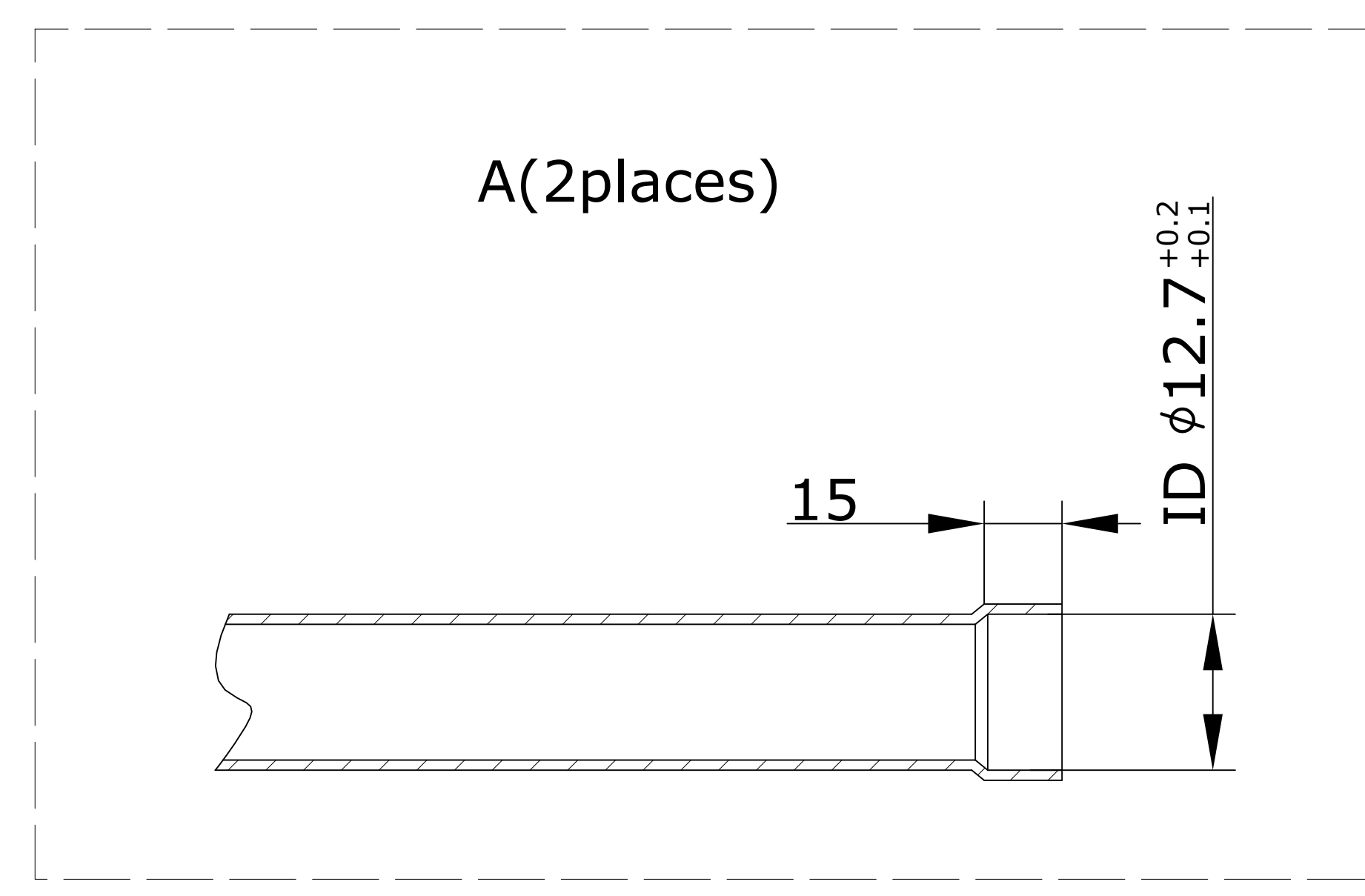
E

F



NOTES
 1 DESIGN PRESSURE 4.5MPA
 2 THE MINIMUM BURST PRESSURE OF THE PRODUCT IS THREE TIMES THE DESIGN PRESSURE
 3 DIAGONAL DIFFERENCE MAX 7mm
 4 TOLERANCE IF NOT SPECIFIED SHALL COMPLY WITH STANDARD ISO 2768-1 CLASS C (GB/T 1804 CLASS C)
 5 SEAL 0.01~0.05MPA NITROGEN GAS IN THE PRODUCT
 6 OTHER STANDARDS JB/T11967 EN378-2.
 7 THE INLET AND OUTLET PIPES ARE COPPER PIPES

PRODUCT PARAMETERS
 TUBE NUMBER 61
 TUBE TYPE 16*1.7- 14
 TUBE MATERIAL (LONG USING LIFE ALLOY) LLA9153(3F03)+Zn- H112
 MANIFOLD TYPE φ20
 FIN TYPE LOUVERED 16*0.08 FPI 23
 FIN MATERIAL AA4343/3003/4343
 PASS 42/19



UNMARKED TOLERANCE	DESCRIPTION: Microchannel heat exchanger	
	MODEL: RC-1600-S	REV. A
VIEW	CODE: 021U0096R	CREAT: AUDIT:
APPROVED BY CUSTOMER SIGNATURE:	PROCESS: APPROVE:	

1 2 3 4 5 6