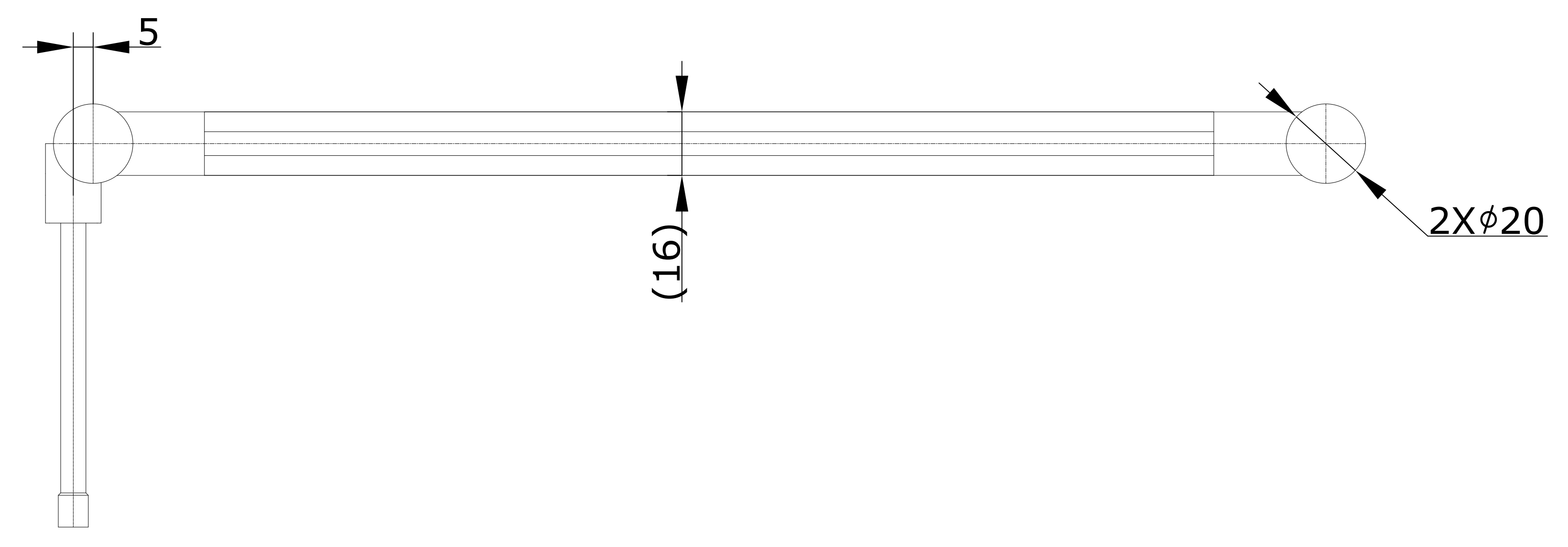
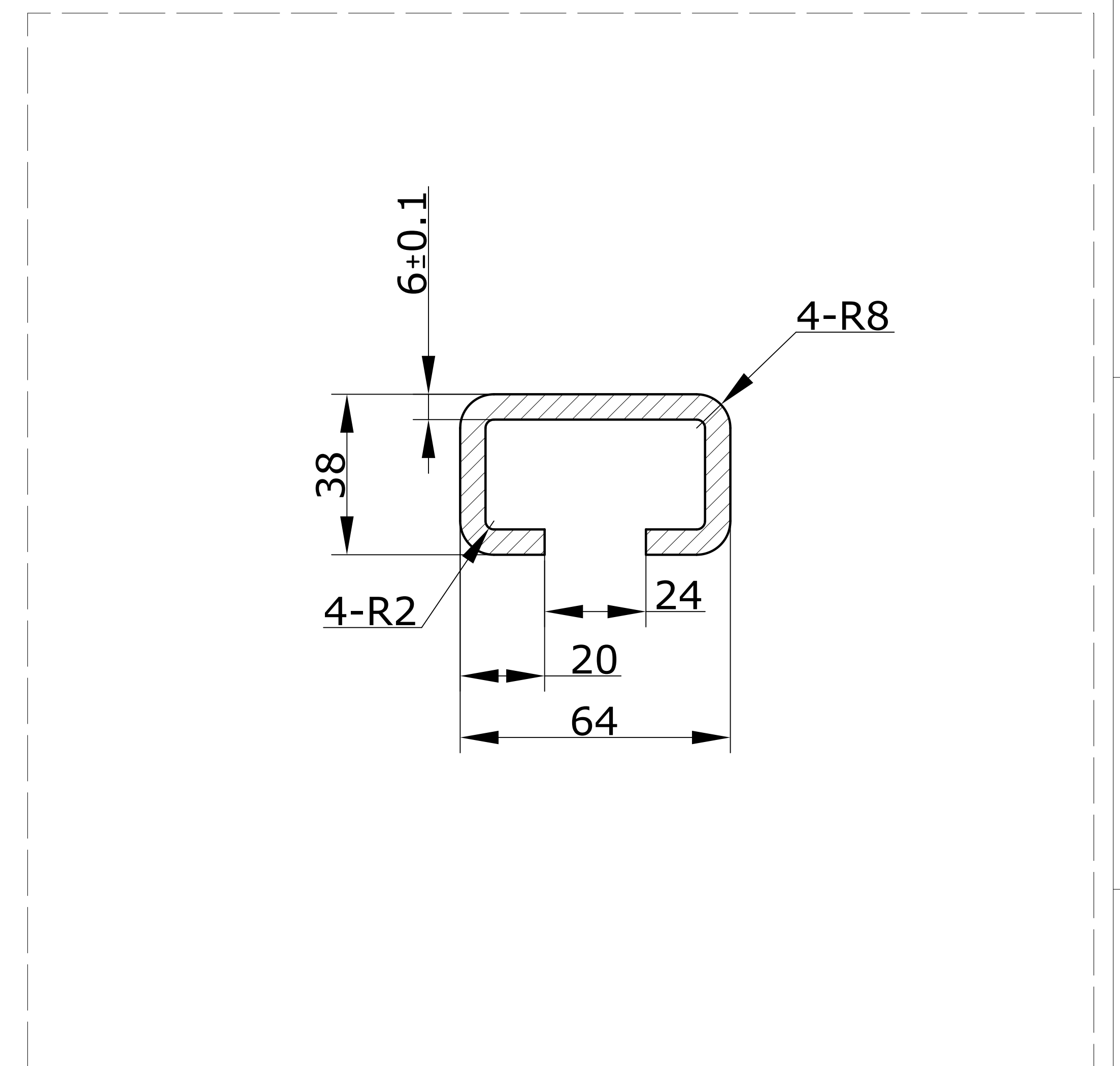
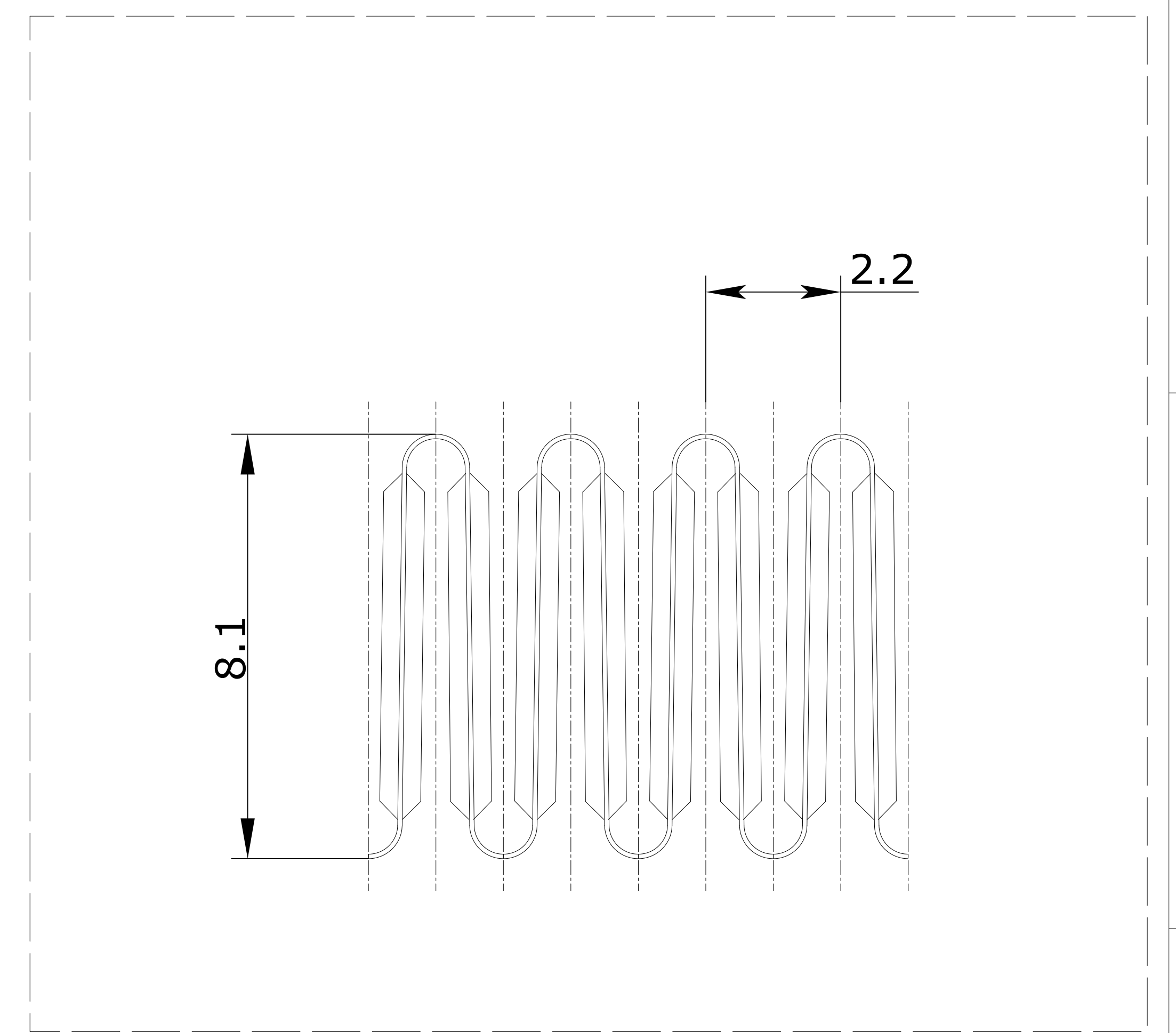
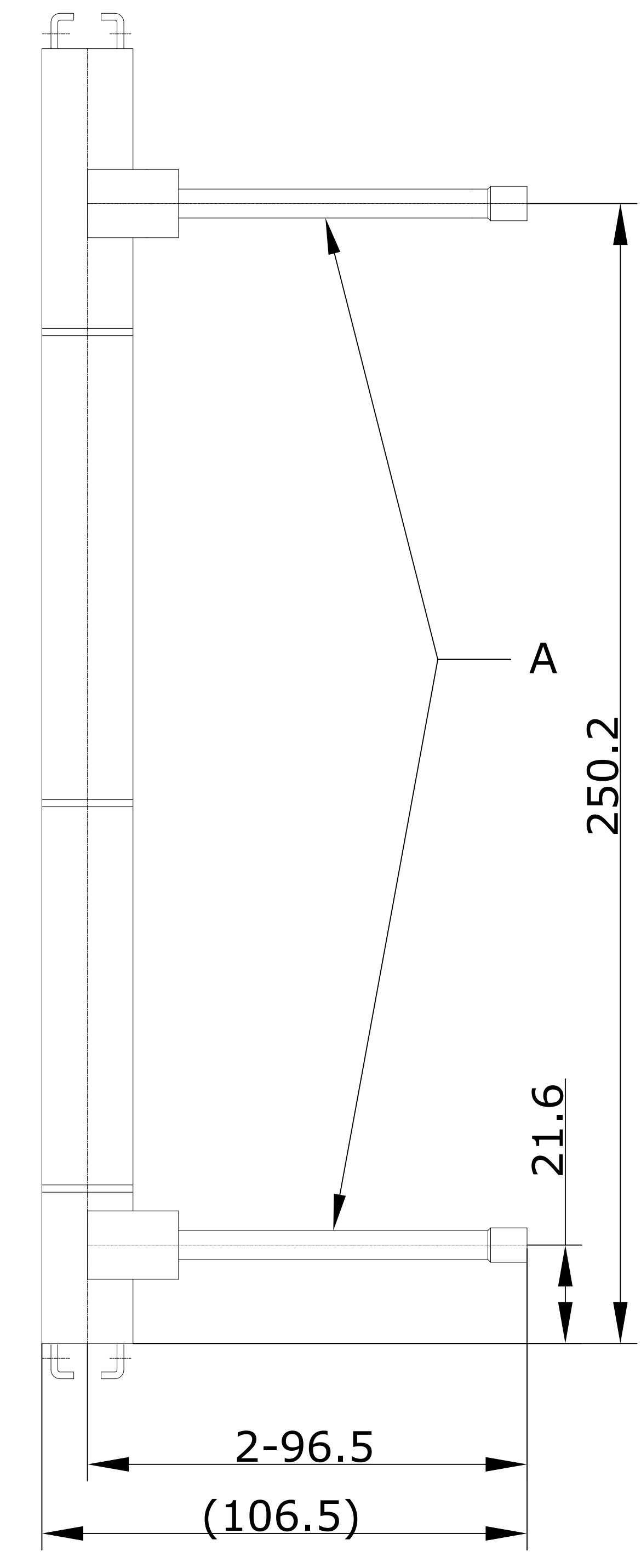
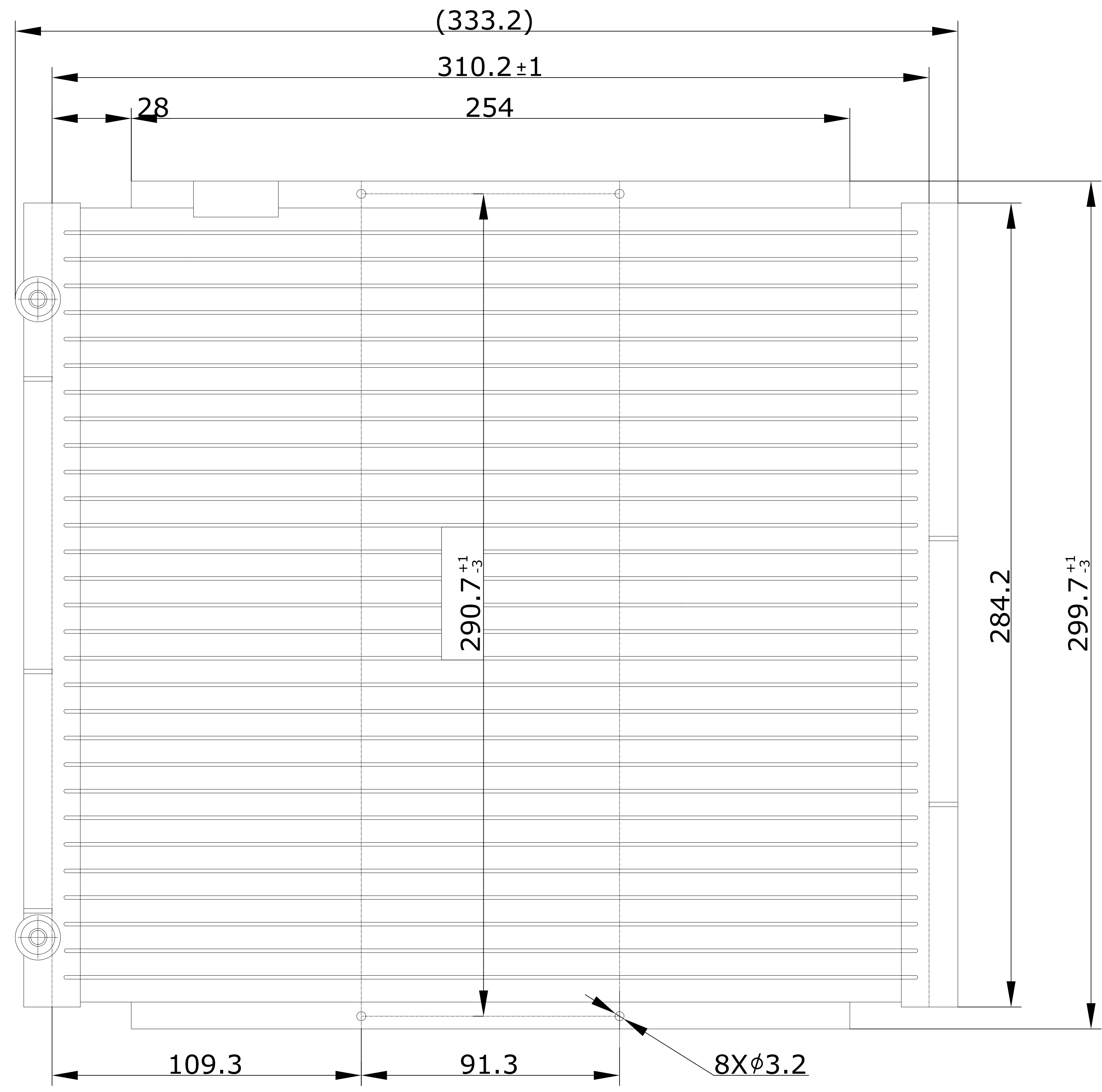


1 2 3 4 5 6 7 8

A
B
C
D
E
F

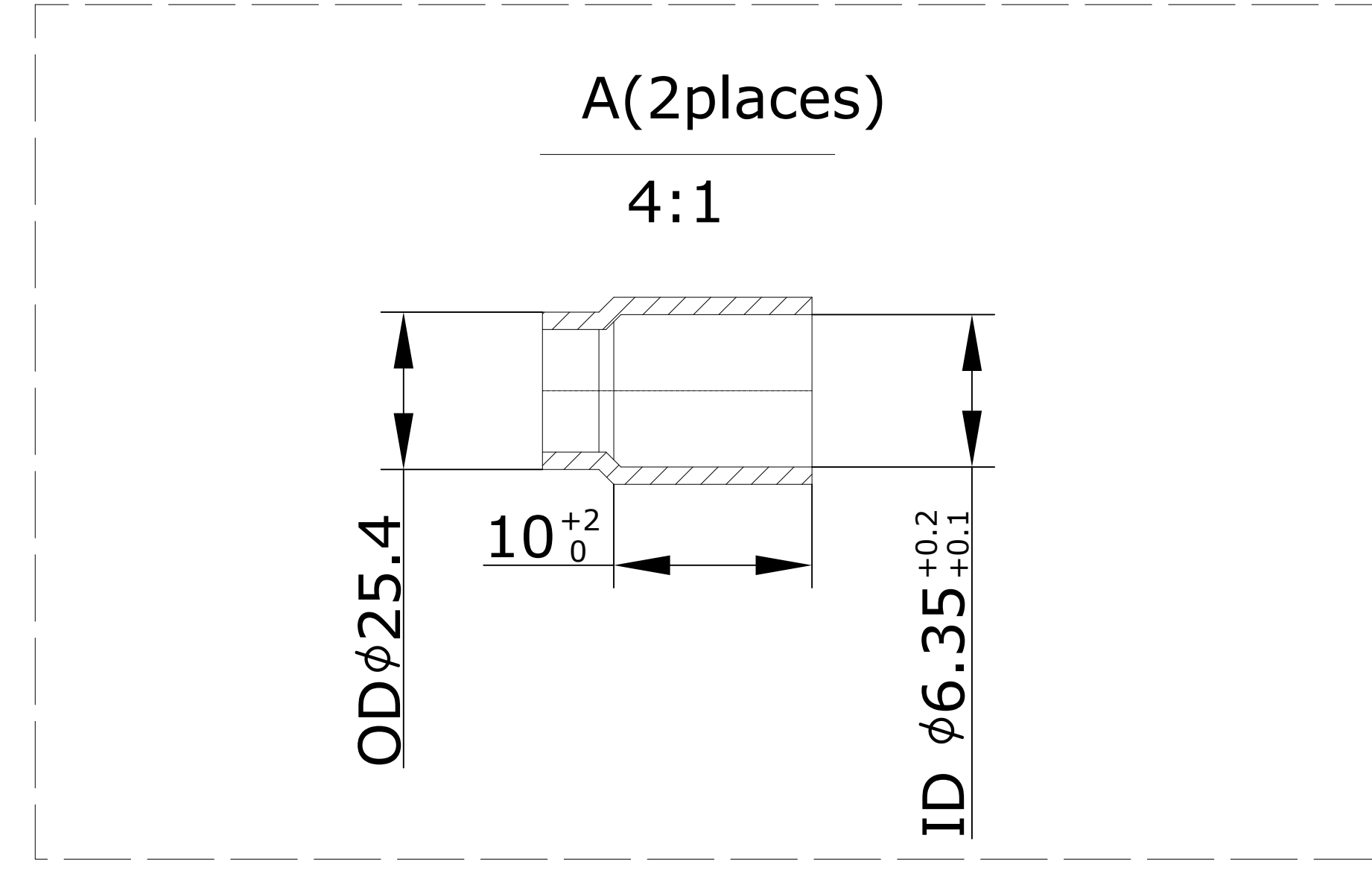


NOTES

- 1 DESIGN PRESSURE 4.5MPA
- 2 THE MINIMUM BURST PRESSURE OF THE PRODUCT IS THREE TIMES THE DESIGN PRESSURE
- 3 DIAGONAL DIFFERENCE MAX 3mm
- 4 TOLERANCE IF NOT SPECIFIED SHALL COMPLY WITH STANDARD ISO 2768-1 CLASS C(GB/T 1804 CLASS C)
- 5 SEAL 0.01~0.05MPA NITROGEN GAS IN THE PRODUCT
- 6 OTHER STANDARDS JB/T11967 EN378-2
- 7 THE INLET AND OUTLET PIPES ARE COPPER PIPES

PRODUCT PARAMETERS

TUBE NUMBER	29
TUBE TYPE	16*1.3-16
TUBE MATERIAL	LLA9153(3F03)+Zn- H112
(LONG USING LIFE ALLOY)	
MANIFOLD TYPE	φ20
FIN TYPE	LOUVERED 16*0.08 FPI 23
FIN MATERIAL	AA4343/3003/4343
PASS	6/6/5/5/4/3



UNMARKED TOLERANCE X ±1.5 X.X ±1 X.XX ±0.5 ∠ ±1°	DESCRIPTION: Microchannel heat exchanger		REV. A
	MODEL: RC-1000-S		
VIEW ⊕ ⊖	CODE: 021U0080R	CREAT:	
	APPROVED BY CUSTOMER SIGNATURE:		AUDIT:
		PROCESS:	
		APPROVE:	

1 2 3 4 5 6