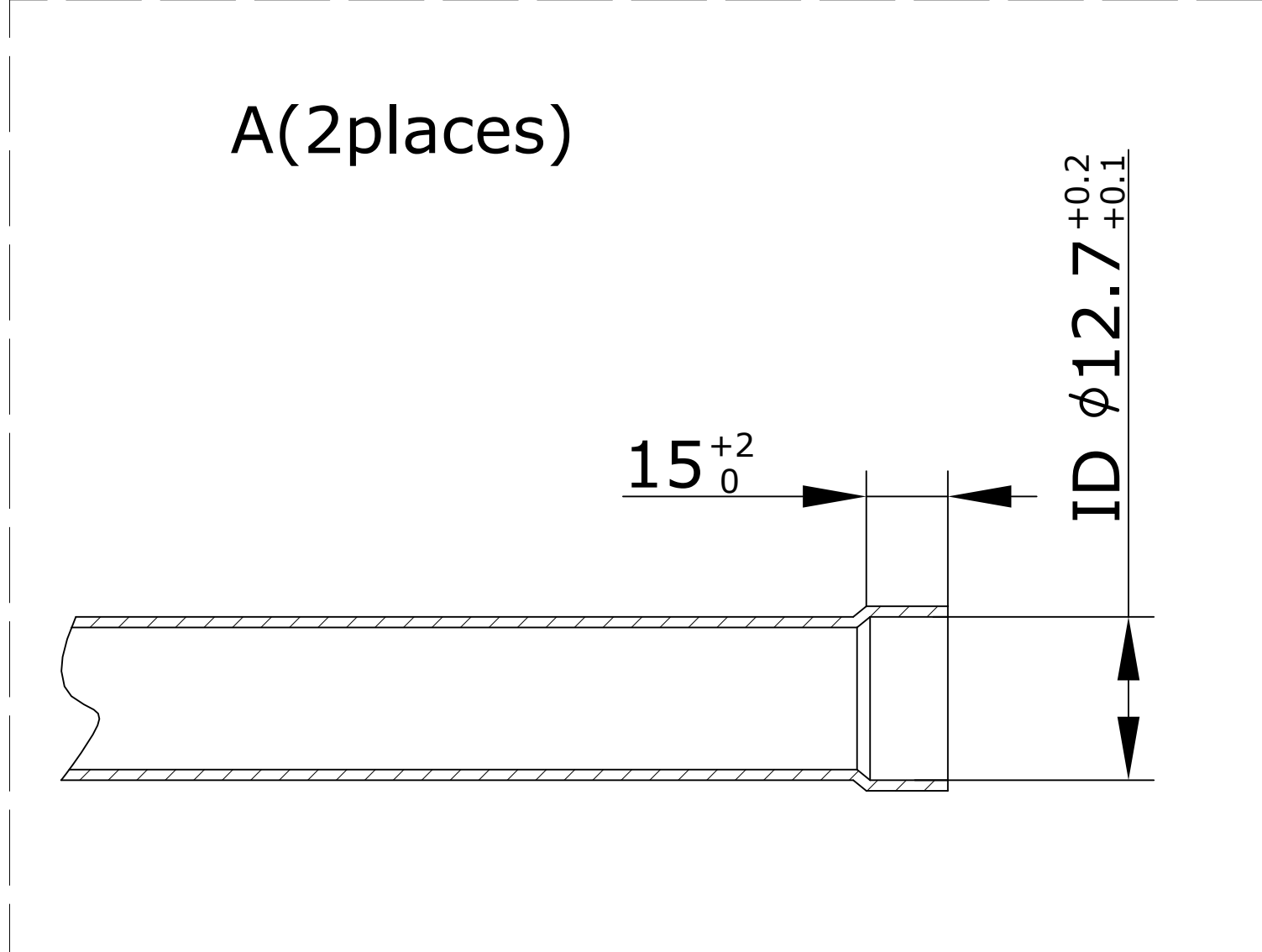


NOTES

- DESIGN PRESSURE 4.5MPA
- THE MINIMUM BURST PRESSURE OF THE PRODUCT IS THREE TIMES THE DESIGN PRESSURE
- DIAGONAL DIFFERENCE MAX 7mm
- TOLERANCE IF NOT SPECIFIED SHALL COMPLY WITH STANDARD ISO 2768- 1 CLASS C(GB/T 1804 CLASS C)
- SEAL 0.01~0.05MPA NITROGEN GAS IN THE PRODUCT
- OTHER STANDARDS JB/T11967 EN378- 2
- THE INLET AND OUTLET PIPES ARE COPPER PIPES

PRODUCT PARAMETERS

TUBE NUMBER	49
TUBE TYPE	25.4*2- 20
TUBE MATERIAL (LONG USING LIFE ALLOY)	LLA9153(3F03)+Zn- H112
MANIFOLD TYPE	ϕ38
FIN TYPE	LOUVERED 25.4*0.08 FPI 23
FIN MATERIAL	AA4343/3003/4343
PASS	35/14



UNMARKED TOLERANCE	DESCRIPTION:	
	Microchannel heat exchanger	
X ±1.5	MODEL:	REV.
X.X ±1	RC-1500-I	A
X.XX ±0.5	CODE:	CREAT:
∠ ±1°	021U0098R	AUDIT:
VIEW	APPROVED BY	PROCESS:
⊕ ⊖	CUSTOMER SIGNATURE:	APPROVE: