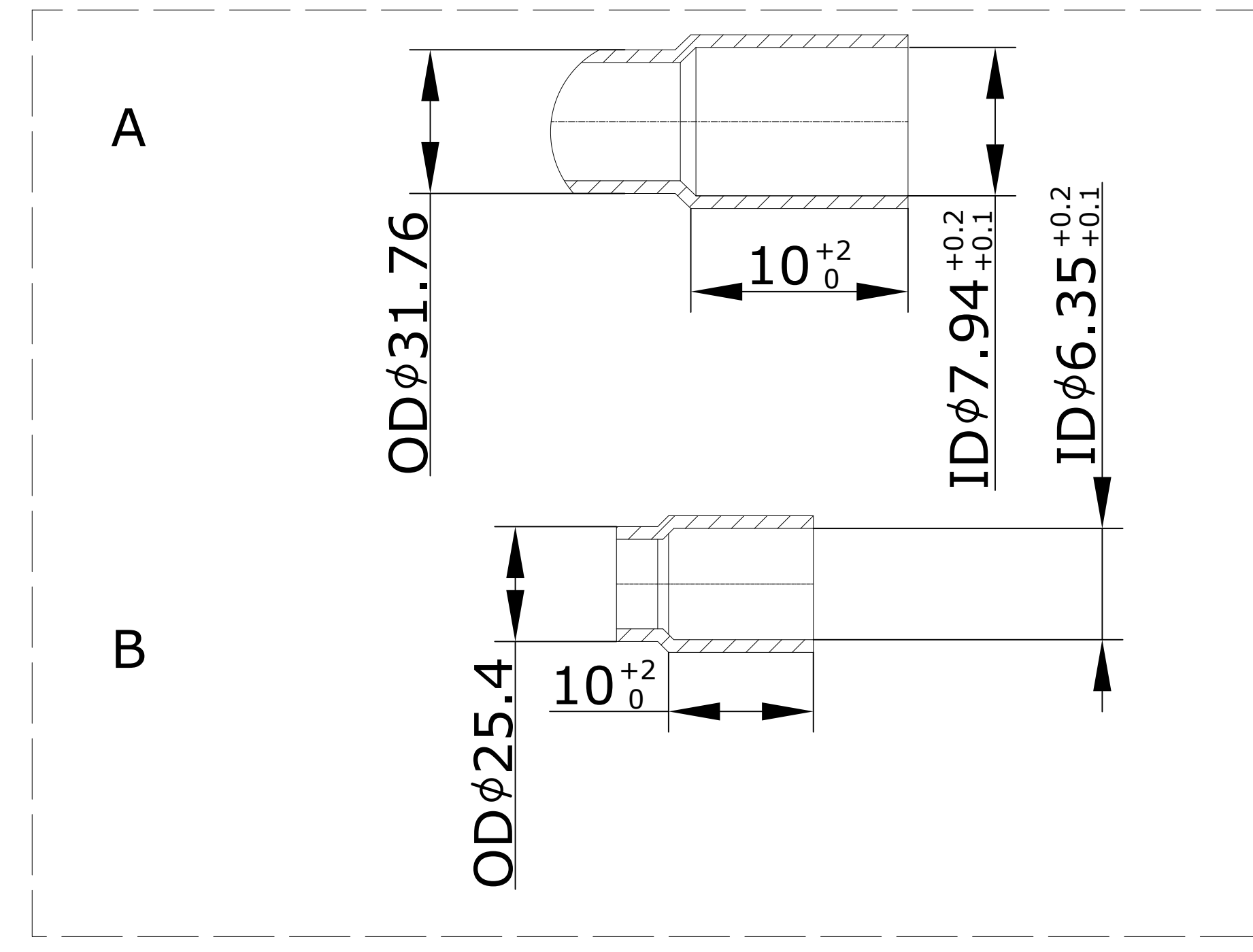


NOTES

- 1 DESIGN PRESSURE 4.5MPA
- 2 THE MINIMUM BURST PRESSURE OF THE PRODUCT IS THREE TIMES THE DESIGN PRESSURE
- 3 DIAGONAL DIFFERENCE MAX 4mm
- 4 TOLERANCE IF NOT SPECIFIED SHALL COMPLY WITH STANDARD ISO 2768-1 CLASS C(GB/T 1804 CLASS C)
- 5 SEAL 0.01~0.05MPA NITROGEN GAS IN THE PRODUCT
- 6 OTHER STANDARDS JB/T11967 EN378-2
- 7 THE INLET AND OUTLET PIPES ARE COPPER PIPES

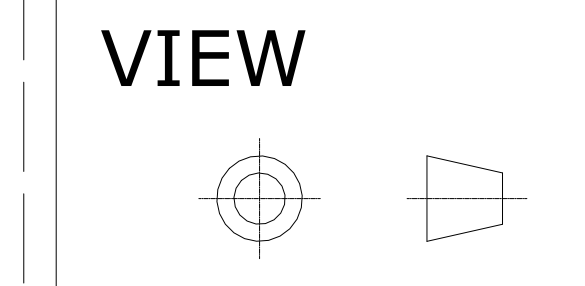
PRODUCT PARAMETERS

TUBE NUMBER	43
TUBE TYPE	16*1.3-16
TUBE MATERIAL	LLA9153(3F03)+Zn- H112
(LONG USING LIFE ALLOY)	
MANIFOLD TYPE	φ20
FIN TYPE	LOUVERED 16*0.08 FPI 23
FIN MATERIAL	AA4343/3003/4343
PASS	10/14/12/7



UNMARKED TOLERANCE	DESCRIPTION: Microchannel heat exchanger	
	MODEL: RC-1200-I	REV. A
VIEW	CODE: 021U0089R	CREAT: AUDIT:
APPROVED BY CUSTOMER SIGNATURE:	PROCESS: APPROVE:	

X	±1.5
X.X	±1
X.XX	±0.5
∠	±1°



APPROVED BY
CUSTOMER SIGNATURE:

PROCESS:
APPROVE: