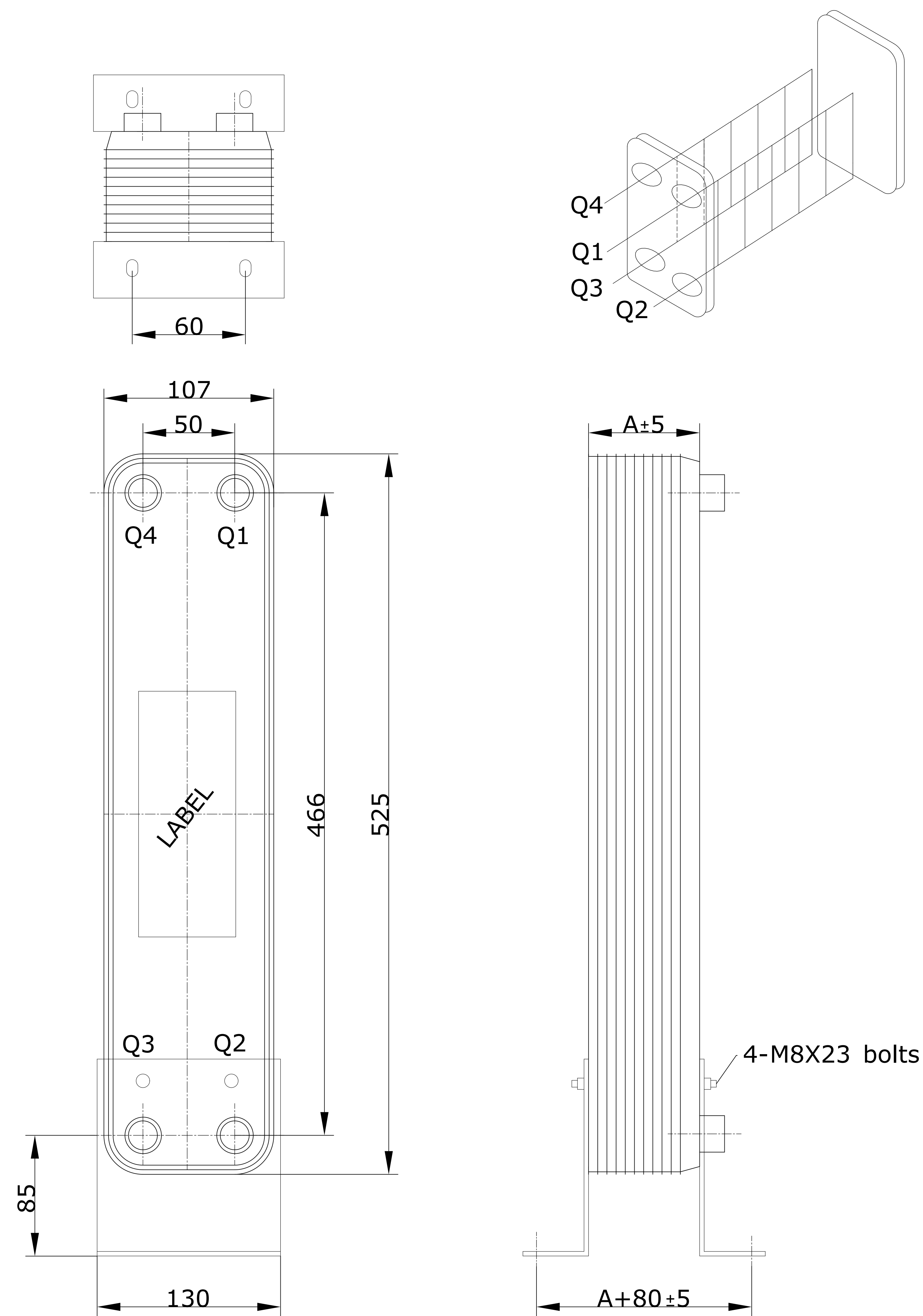
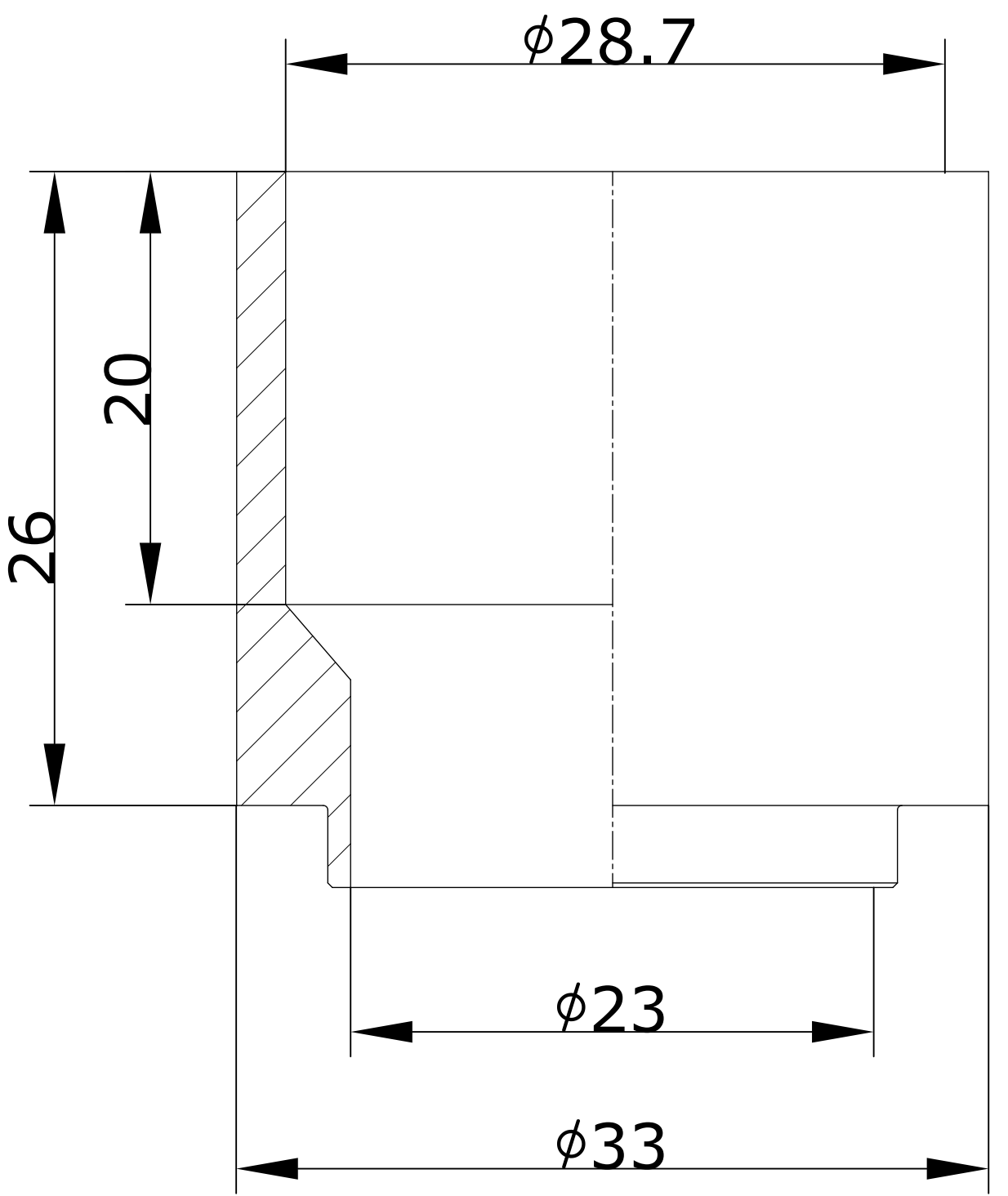
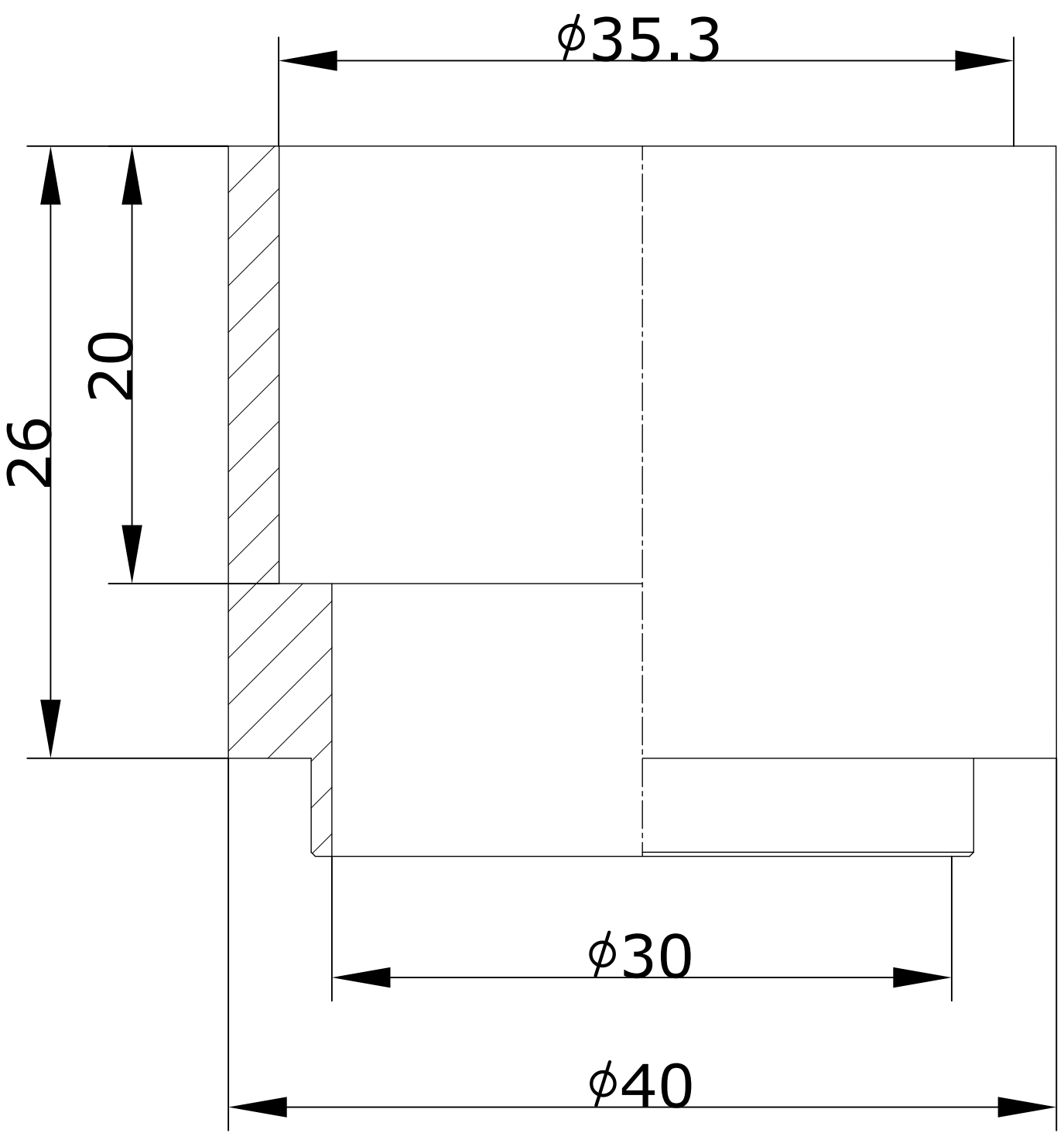


CONTROLLED



Q1-Q2
H1"3/8(H3131)
Solder connection


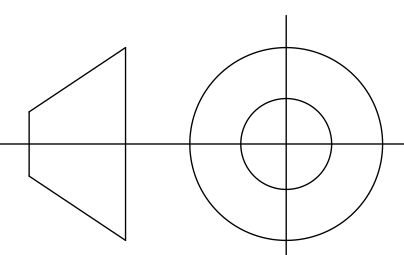
Q3-Q4
H1"1/8(H2116)
Solder connection



Note: Add feet

DESIGN DATA	
DESIGN PRESSURE	3.0MPa
TEST PRESSURE	4.5MPa
DESIGN TEMPERATURE	-196/+225
LEAKAGE TEST	Helium Test
WEIGHT	7 Kg
VOLUME	Q1Q2: 0.97L
	Q3Q4: 0.873L
PLATE MATERIAL	316L
PIPE MATERIAL	304
FRAME MATERIAL	304

ID	RIDAN Code	Drawing No.	Model	Plates(n)	A
1	111B0188R	2309379	052	20	56

Assembly drawing	DEPARTMENT	Sales Department	DATE	SCALE	 RD-052-20-3,0-L- Q1Q2(H1"3/8)/ Q3Q4(H1"1/8)/4- M8*23
	DESIGNER	JLN	2022/11/18		
	INSPECTOR	ZJF			
	APPROVAL	FL		DRAWING NO. 2309379	