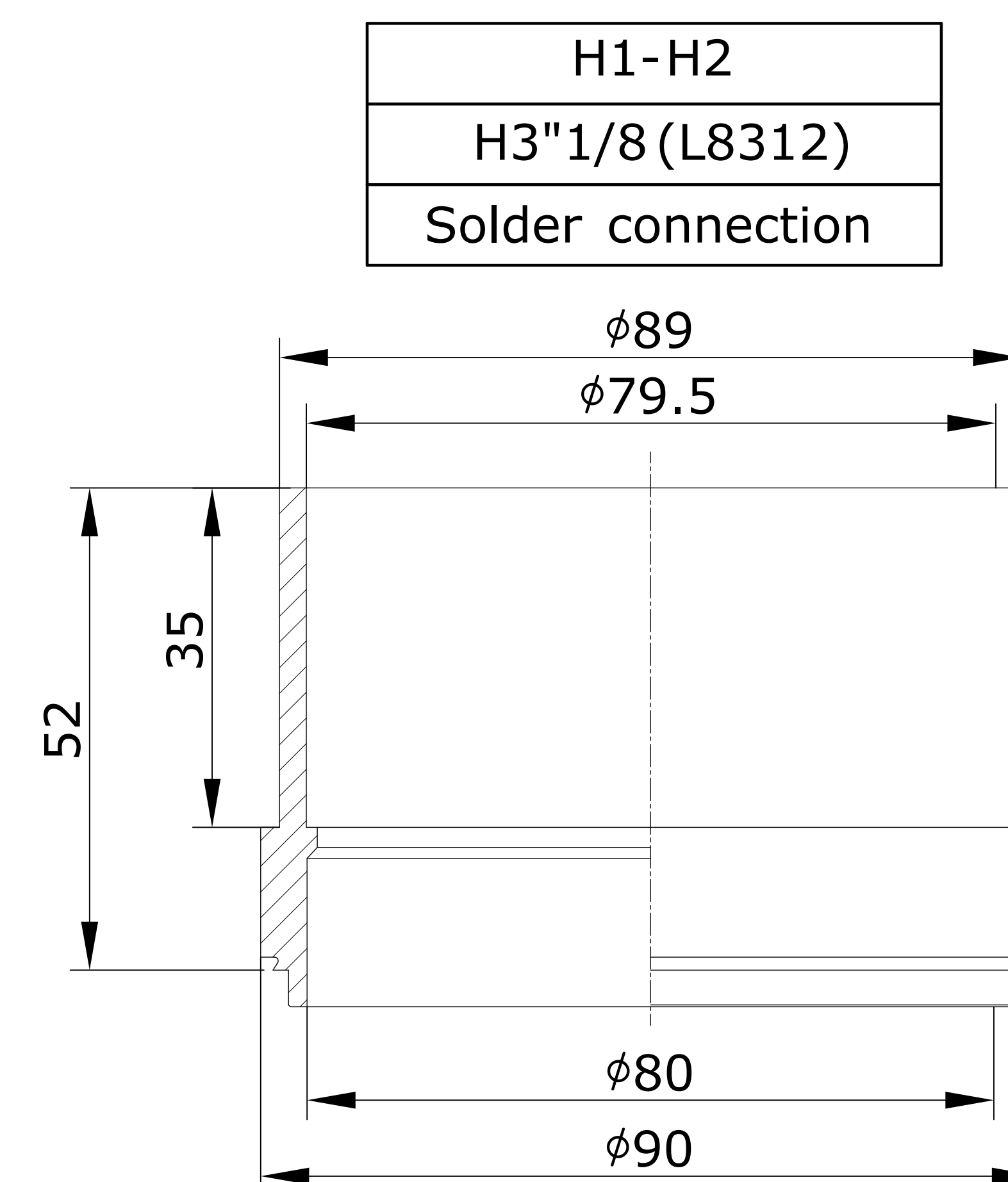
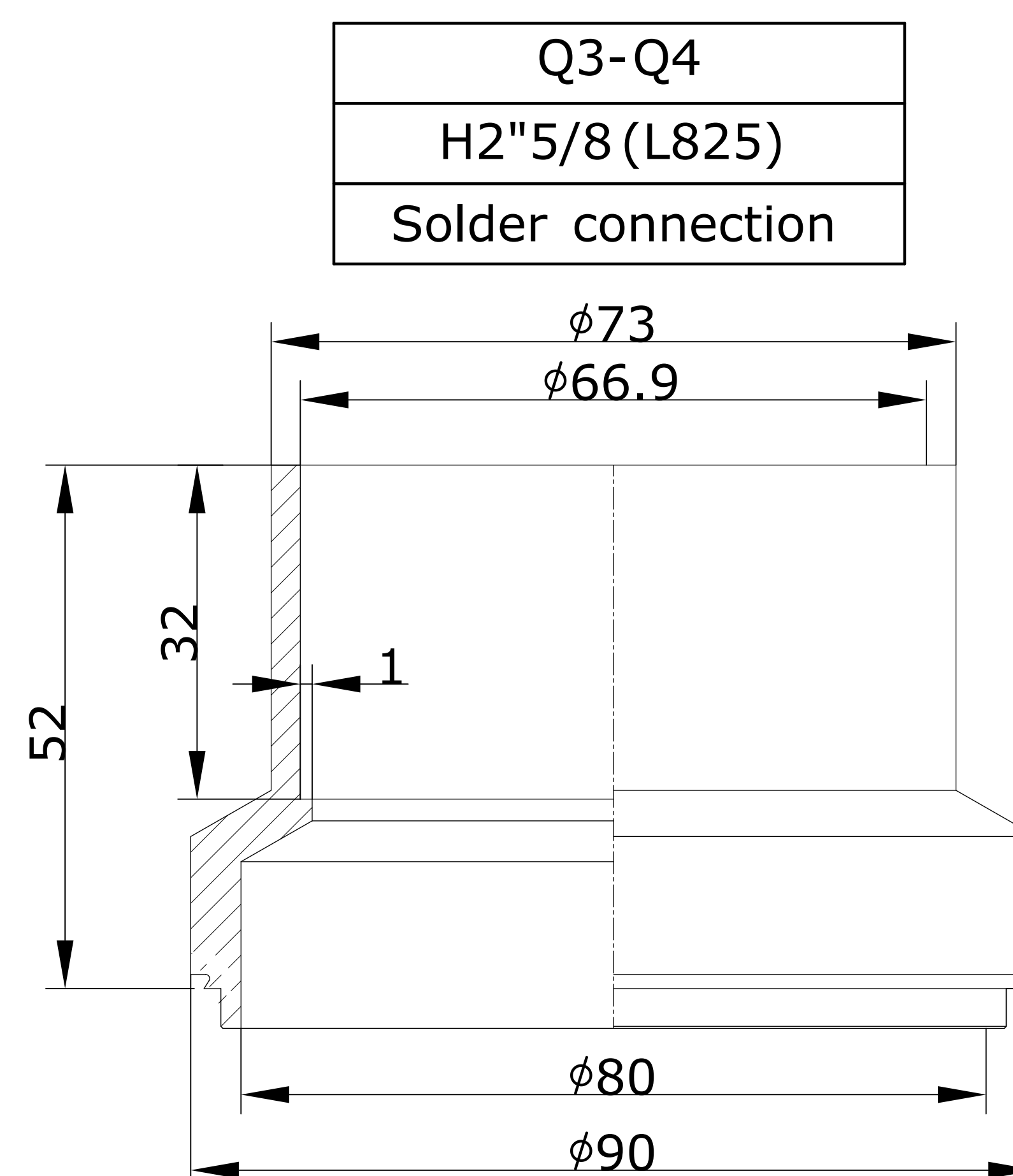
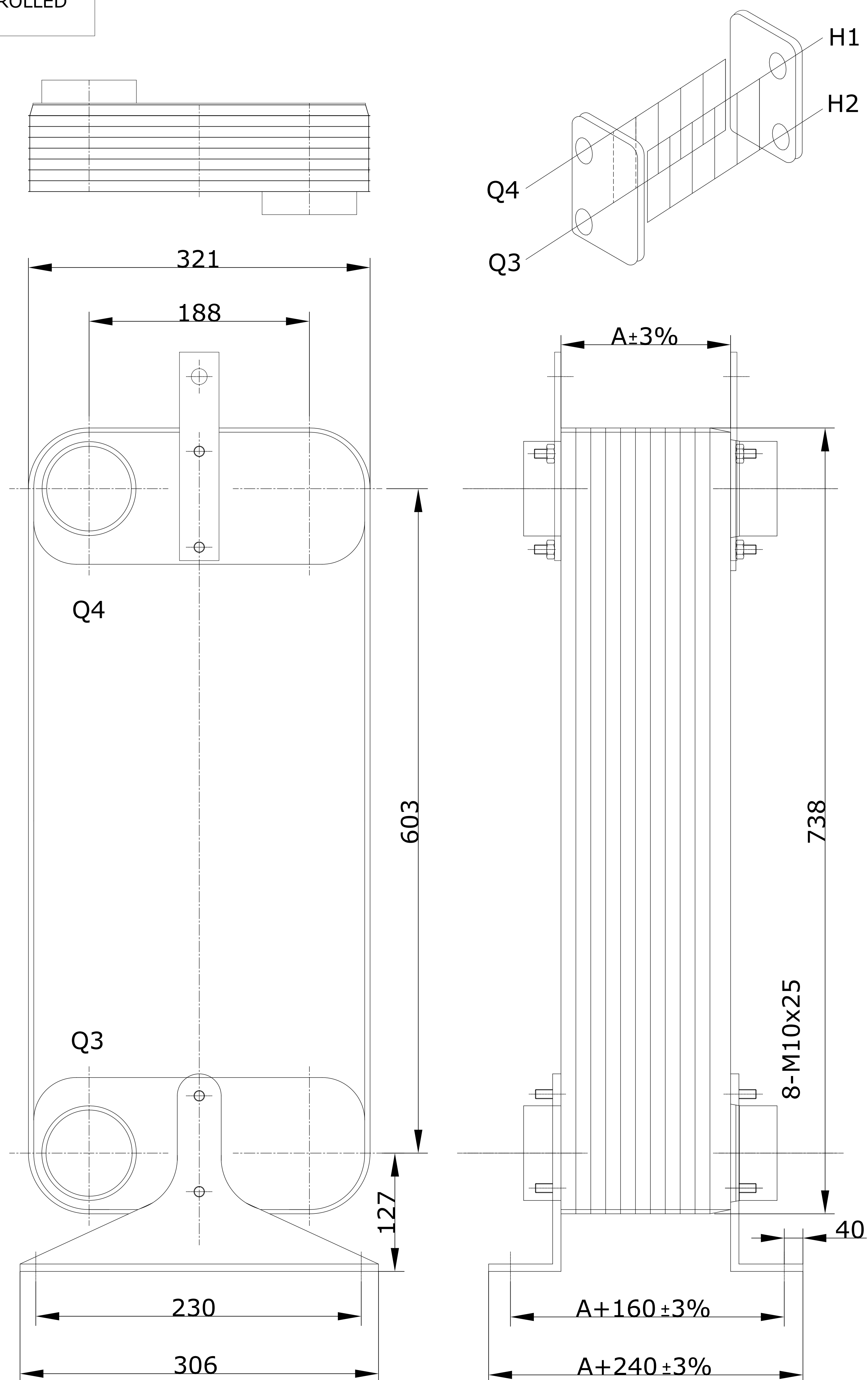


CONTROLLED



ID	RIDAN Code	Drawing No.	Model	Plates(n)	A	Weight	Volume
1	111B2150R	23010693- 01	200	150	425	122Kg	H1H2:40.5L/Q3Q4:39.96L
2	111B2160R	23010693- 02	200	160	452	129Kg	H1H2:43.2L/Q3Q4:42.66L
3	111B2170R	23010693- 03	200	170	480	136Kg	H1H2:45.9L/Q3Q4:45.36L
4	111B2180R	23010693- 04	200	180	507	143Kg	H1H2:48.6L/Q3Q4:48.06L
5	111B2190R	23010693- 05	200	190	535	150Kg	H1H2:51.3L/Q3Q4:50.76L
6	111B2200R	23010693- 06	200	200	562	157Kg	H1H2:54L/Q3Q4:53.46L
7	111B2210R	23010693- 07	200	210	590	164Kg	H1H2:56.7L/Q3Q4:56.16L
8	111B2220R	23010693- 08	200	220	617	171Kg	H1H2:59L/Q3Q4:58.86L

Note: Add feet

DESIGN DATA	
DESIGN PRESSURE	3.0MPa
TEST PRESSURE	4.5MPa
DESIGN TEMPERATURE	-196/+225
LEAKAGE TEST	Helium Test
PLATE MATERIAL	316L
PIPE MATERIAL	304
FRAME MATERIAL	304

Assembly drawing	DEPARTMENT	Sales Department	DATE	2023/02/07 <th>SCALE</th> <td rowspan="4"> </td> <th rowspan="4"> </th>	SCALE		
	DESIGNER	JLN					
	INSPECTOR	ZJF					
	APPROVAL	FL					
DRAWING NO.		23010693		DESIGNATION: RD-200-n-3,0-H-Q3Q4(H2"5/8)/H1H2(H3"1/8)/8- M10*25		REV. 0	