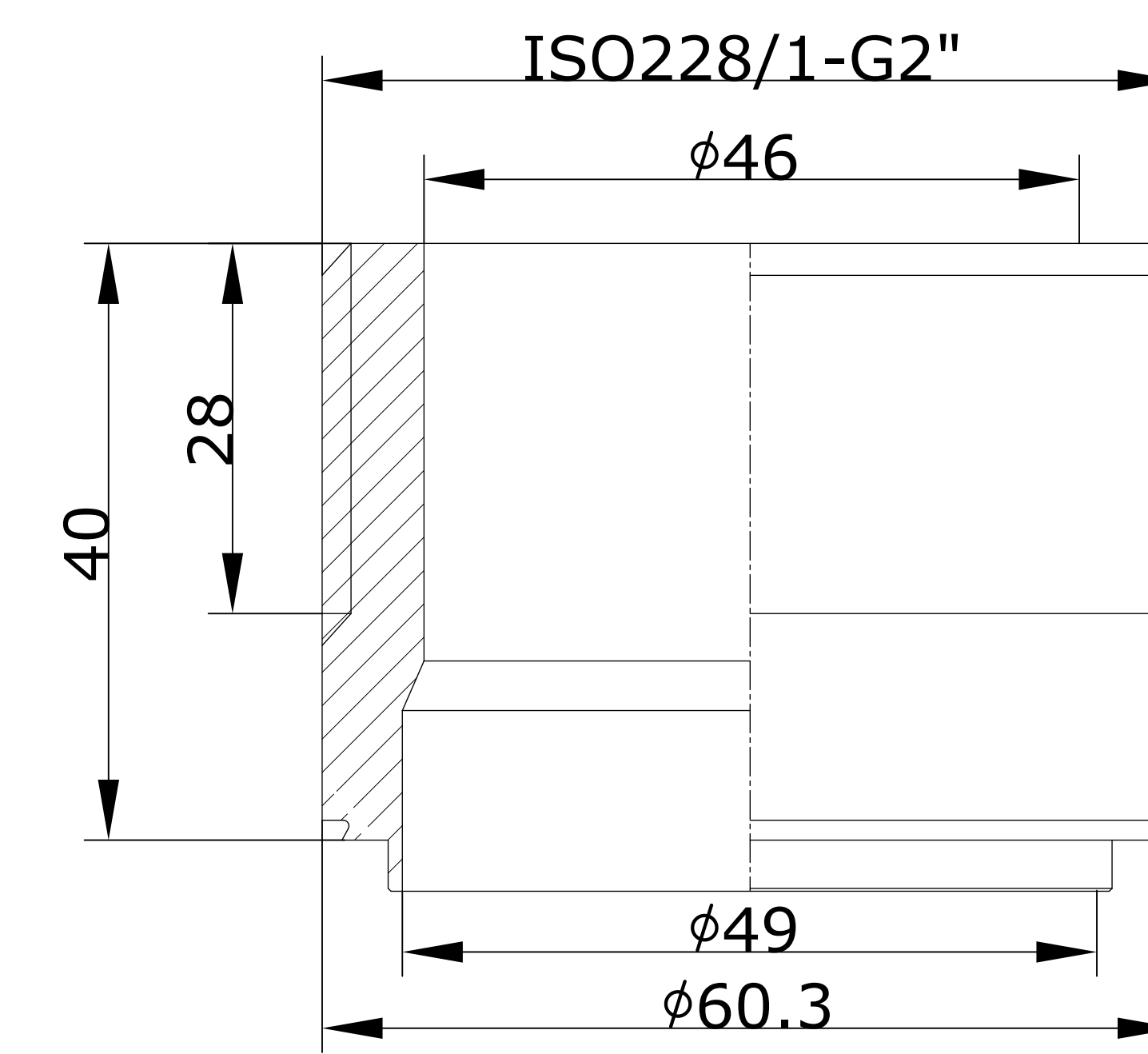
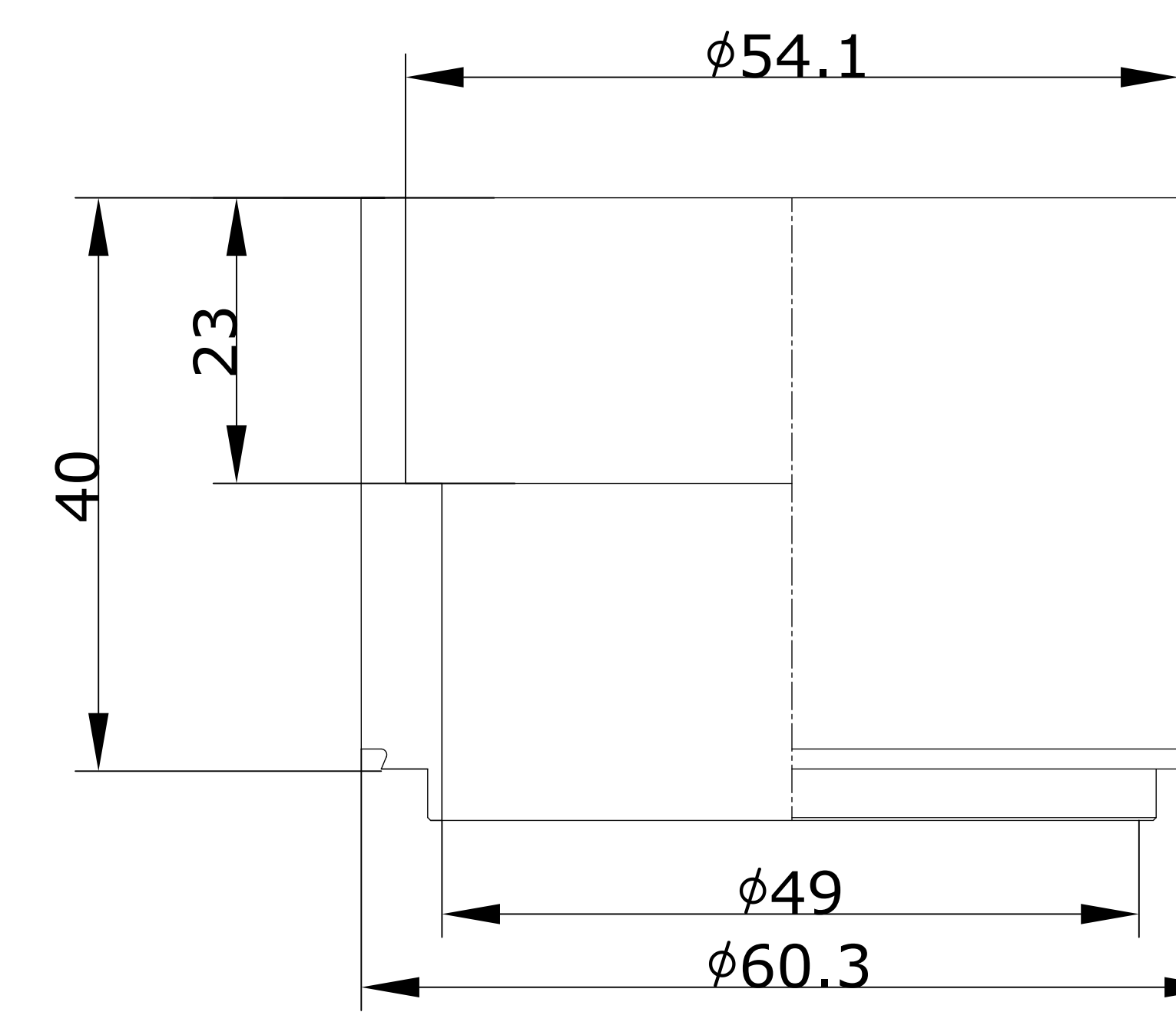


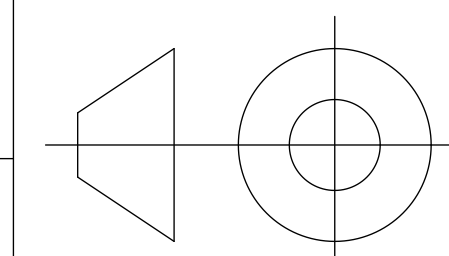

Q3-Q4
H2"1/8 (H5212)
Solder connection

H1-H2
L2(W520)
Thread connection



ID	RIDAN Code	Drawing No.	Model	Plates(n)	A	Weight	Volume
9	111B0213R	23010697- 09	095B	90	264	40Kg	H1H2:11.25L/Q3Q4:11L
10	111B0214R	23010697- 10	095B	100	292	44Kg	H1H2:12.5L/Q3Q4:12.25L
11	111B0215R	23010697- 11	095B	110	320	47.5Kg	H1H2:13.75L/Q3Q4:13.5L
12	111B0216R	23010697- 12	095B	120	348	51Kg	H1H2:15L/Q3Q4:14.75L
13	111B0217R	23010697- 13	095B	130	376	55Kg	H1H2:16.25L/Q3Q4:16L
14	111B0218R	23010697- 14	095B	140	404	58.5Kg	H1H2:17.5L/Q3Q4:17.25L

DESIGN DATA	
DESIGN PRESSURE	4.5MPa
TEST PRESSURE	6.75MPa
DESIGN TEMPERATURE	-196/+225
LEAKAGE TEST	Helium Test
PLATE MATERIAL	316L
PIPE MATERIAL	304
FRAME MATERIAL	304

Assembly drawing	DEPARTMENT	Sales Department	DATE	2023/02/07	SCALE		
	DESIGNER	JLN					
	INSPECTOR	ZJF					
	APPROVAL	FL					
DRAWING NO.		23010697		DESIGNATION: RD-095B-n-4,5-H-Q3Q4(H2"1/8)/H1H2(L2)/4-M8*23		REV. 0	