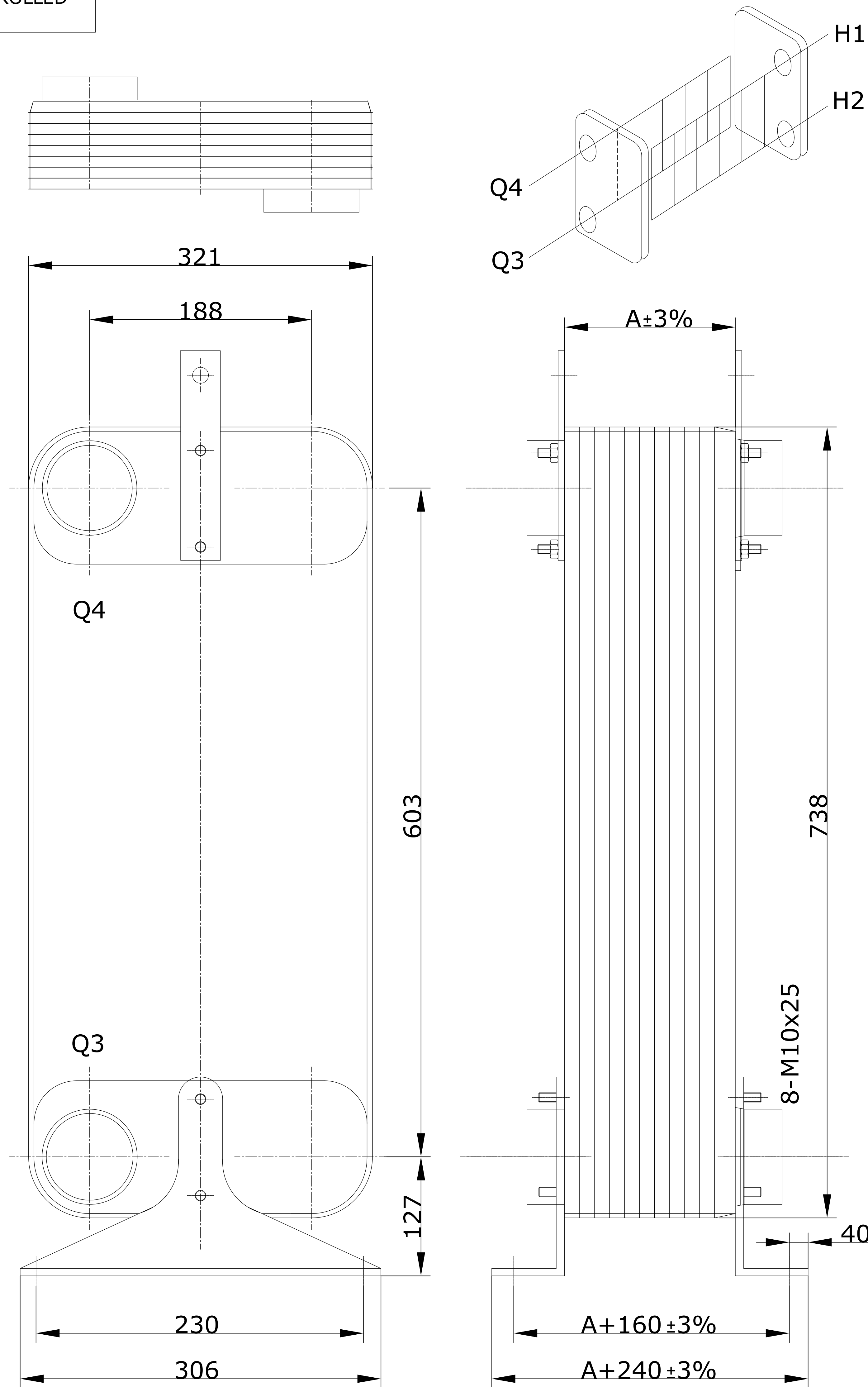
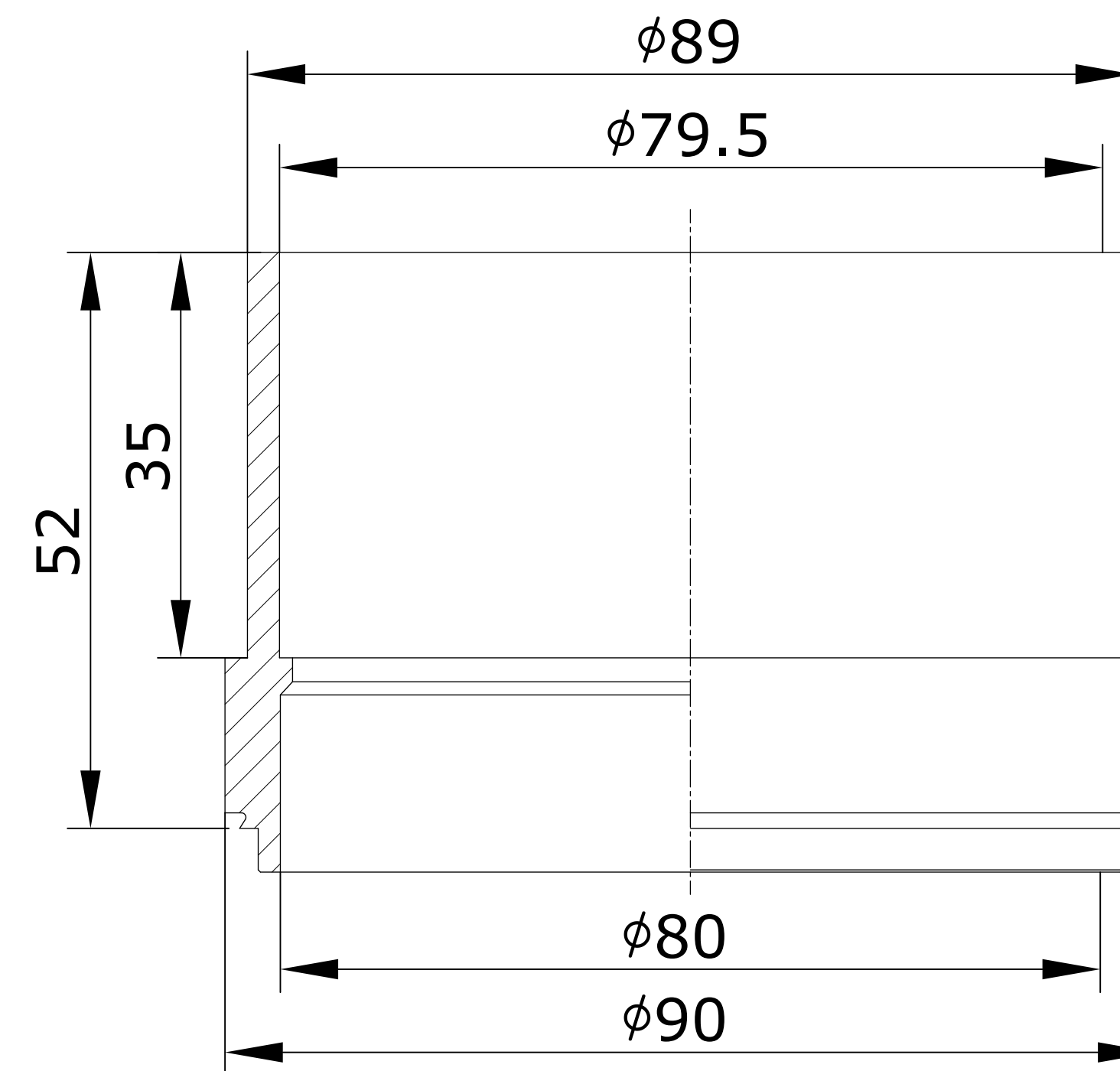


CONTROLLED

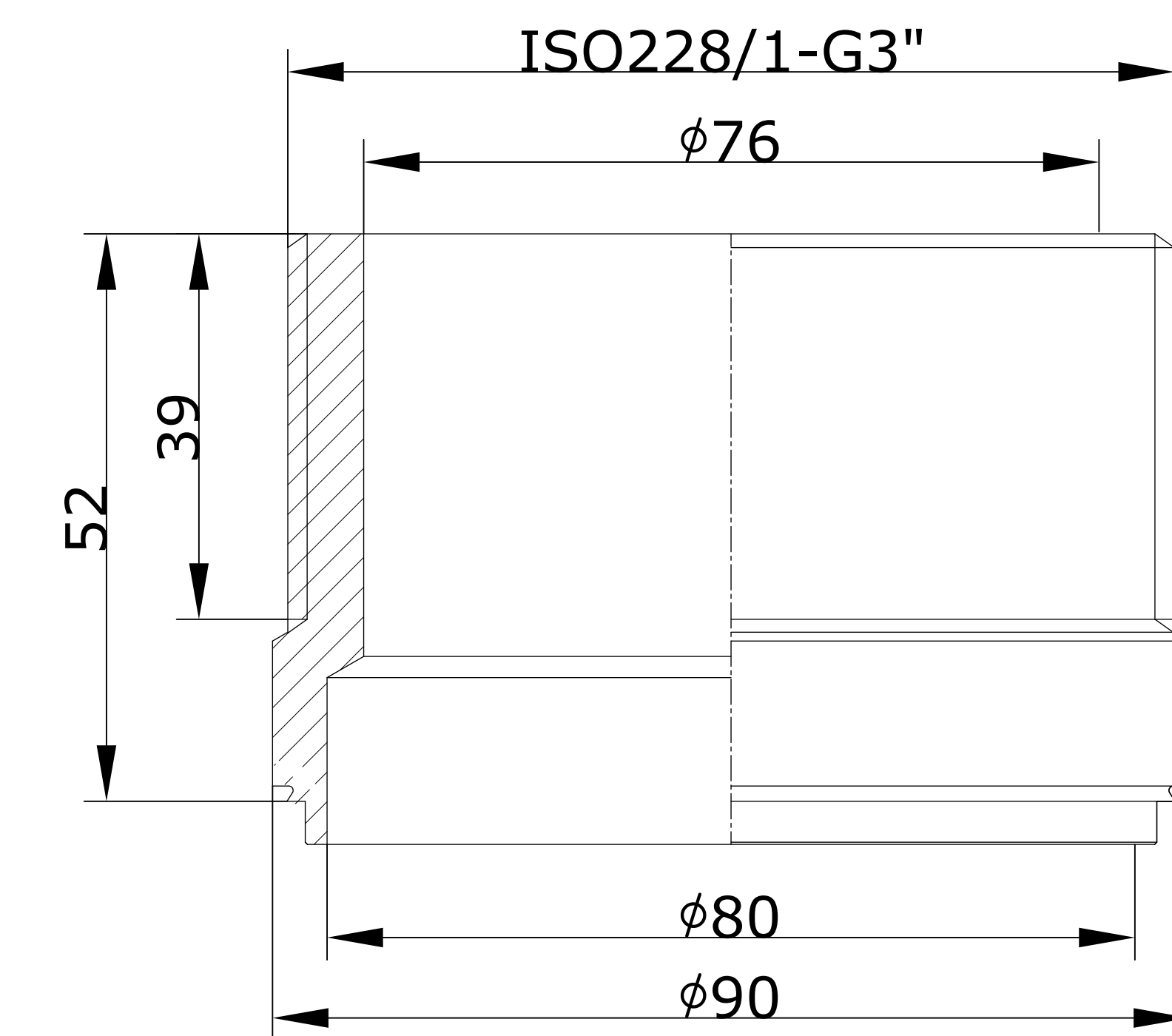


Note: Add feet

Q3-Q4
H3"1/8(L8312)
Solder connection



H1-H2
L3(LW830)
Thread connection



ID	RIDAN Code	Drawing No.	Model	Plates(n)	A	Weight	Volume
1	111B2051R	23010694- 01	200	50	150	52Kg	H1H2:13.5L/Q3Q4:12.96L
2	111B2061R	23010694- 02	200	60	177	59Kg	H1H2:16.2L/D3D4:15.66L
3	111B2071R	23010694- 03	200	70	205	66Kg	H1H2:18.9L/Q3Q4:18.36L
4	111B2081R	23010694- 04	200	80	232	73Kg	H1H2:21.6L/Q3Q4:21.06L
5	111B2091R	23010694- 05	200	90	260	80Kg	H1H2:24.3L/Q3Q4:23.76L
6	111B2101R	23010694- 06	200	100	287	87Kg	H1H2:27L/Q3Q4:26.46L
7	111B2111R	23010694- 07	200	110	315	94Kg	H1H2:29.7L/Q3Q4:29.16L
8	111B2121R	23010694- 08	200	120	342	101Kg	H1H2:32.4L/Q3Q4:31.86L
9	111B2131R	23010694- 09	200	130	370	108Kg	H1H2:35.1L/Q3Q4:34.56L
10	111B2141R	23010694- 10	200	140	397	115Kg	H1H2:37.8L/Q3Q4:37.26L

		DESIGN DATA	
DESIGN PRESSURE		3.0MPa	
TEST PRESSURE		4.5MPa	
DESIGN TEMPERATURE		-196/+225	
LEAKAGE TEST		Helium Test	
PLATE MATERIAL		316L	
PIPE MATERIAL		304	
FRAME MATERIAL		304	

Assembly drawing	DEPARTMENT	Sales Department	DATE	SCALE	 ридан
	DESIGNER	JLN	2023/02/07		
	INSPECTOR	ZJF			
	APPROVAL	FL			
DRAWING NO.		23010694		DESIGNATION: RD-200-n-3,0-L-Q3Q4(H3"1/8)/H1H2(L3)/8-M10*25 REV. 0	