

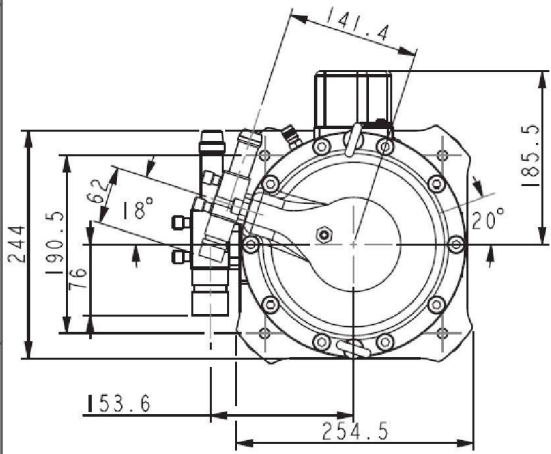
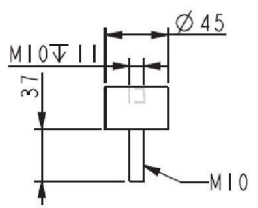
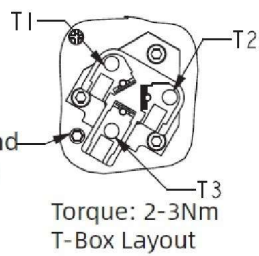
Service Valve-Discharge
I.D. 7/8"

Service Valve-Suction
I.D. 1-3/8"

Oil Sight Glass

Crankcase Heater
NPT 3/8"

Oil Drain
NPT 1/4"



Item no. -		Scale of orig.		Weight kg	
Date		Name		Title	
Draw				RCM104E-RCM114E-7S	
Chk.					
Appr.					
Release note		Dep. PRODUCT DEVELOPMENT		Drawing no. 50 02 203	
		РИДАН		Rev. I	
				Sheet I	
Engineering drawing		ISO A4 (297x210)			