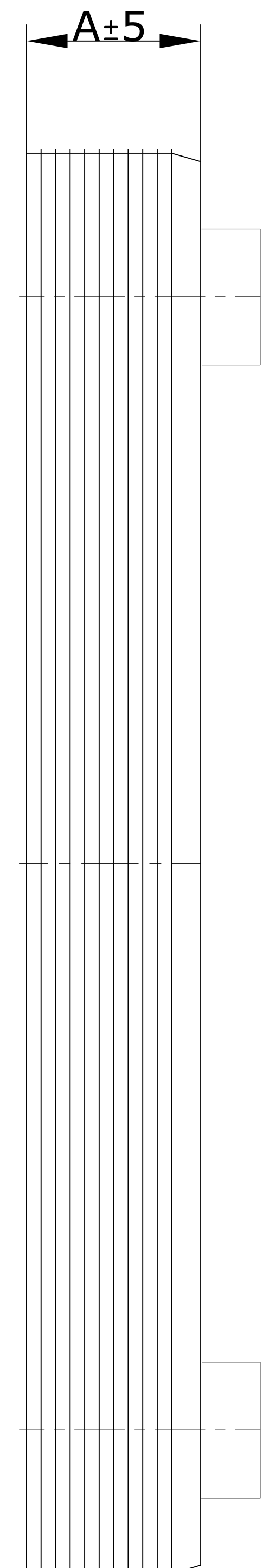
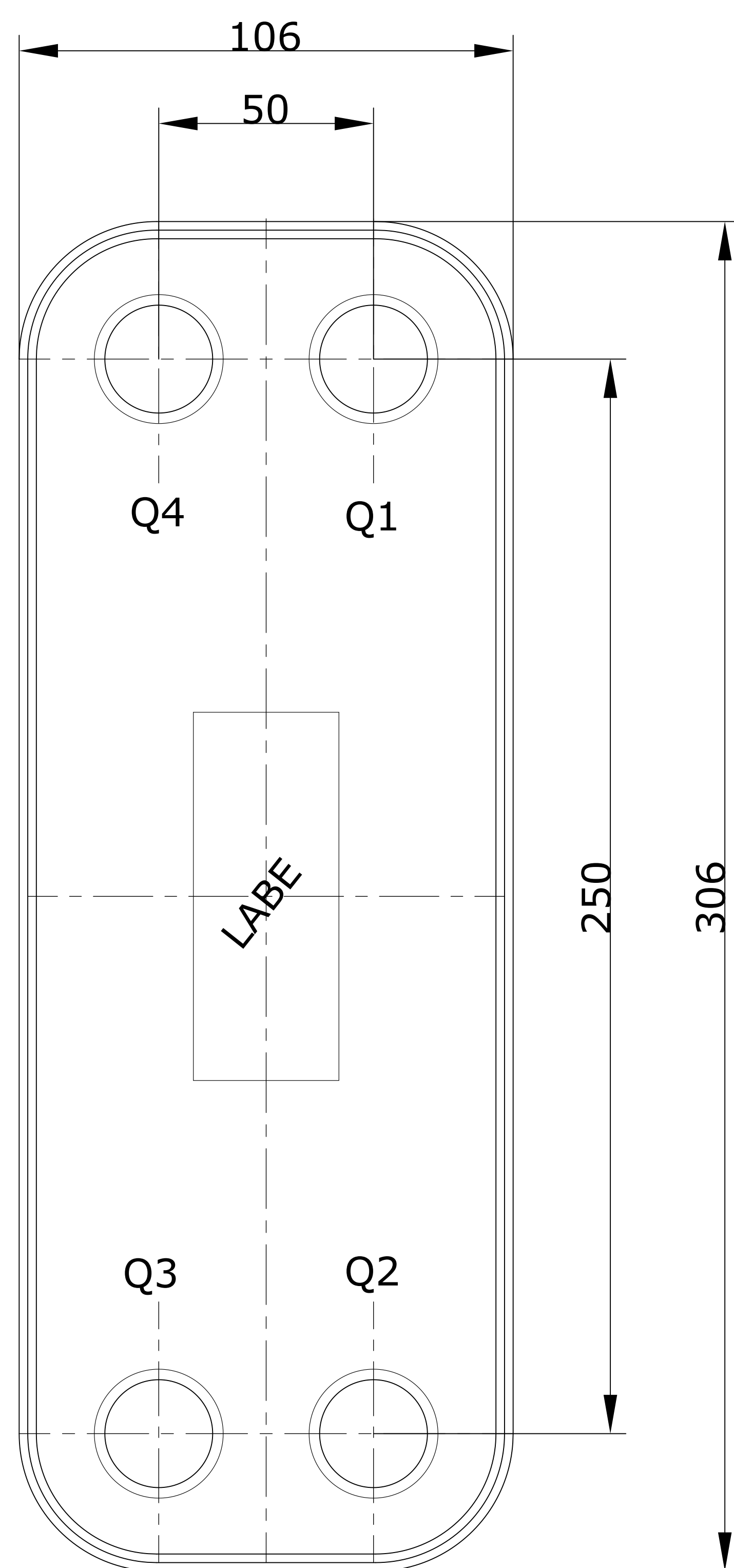
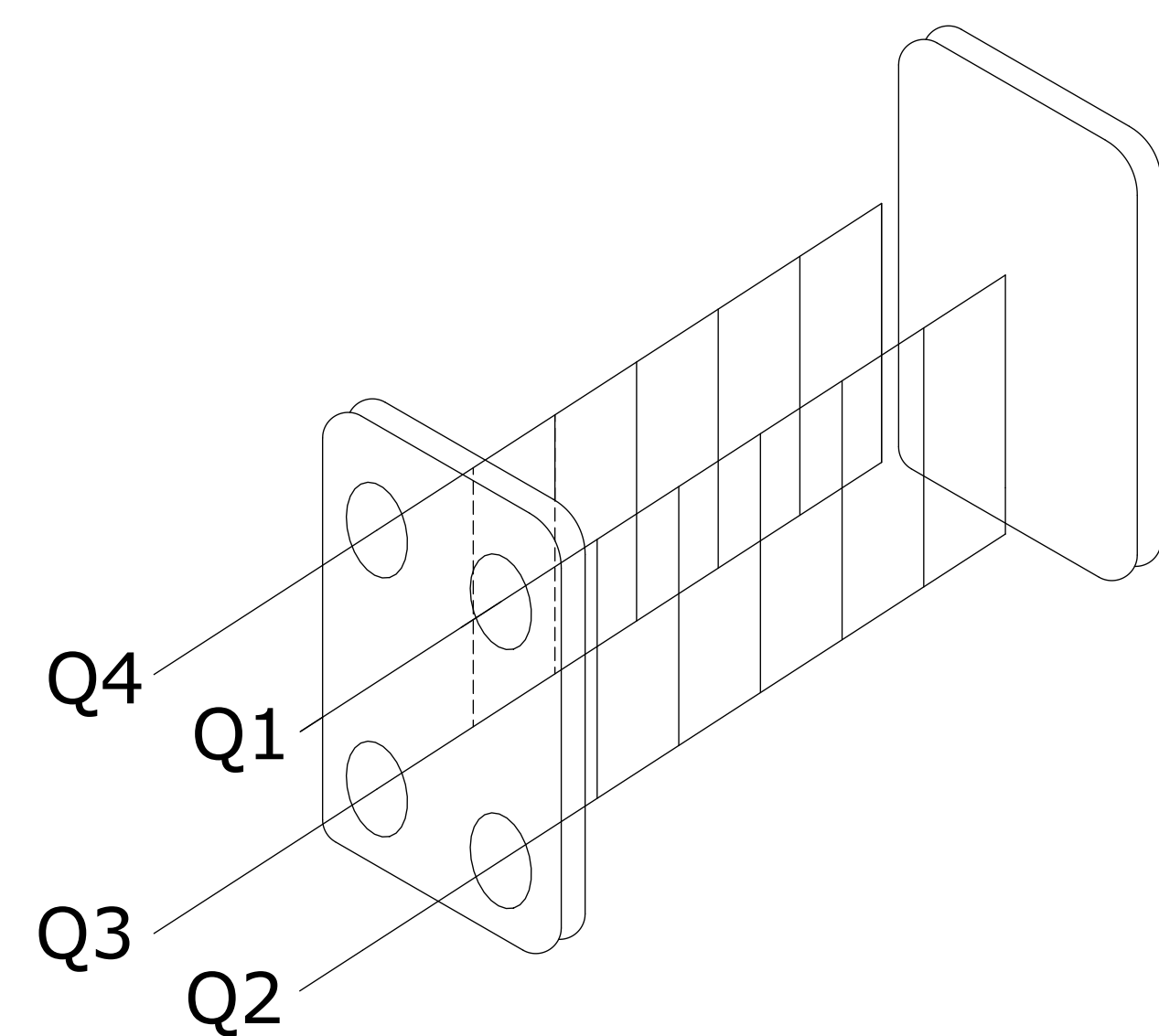
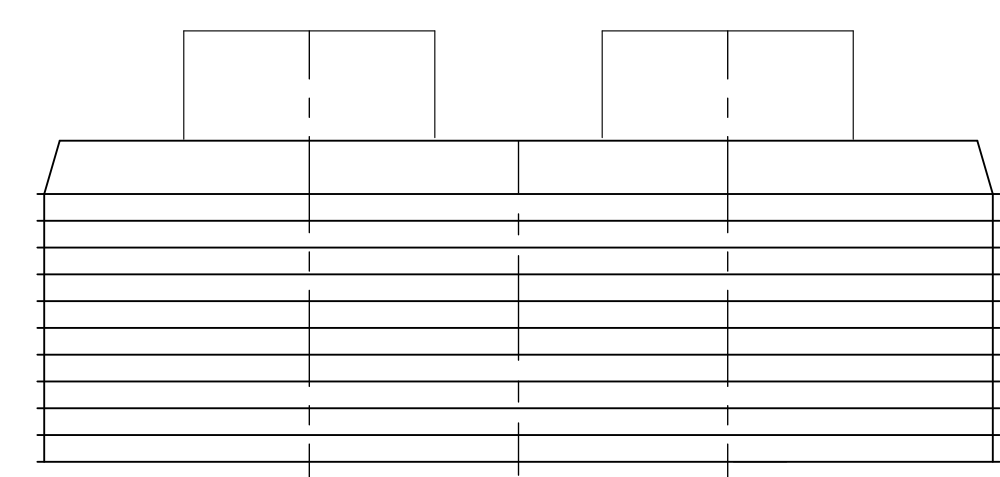
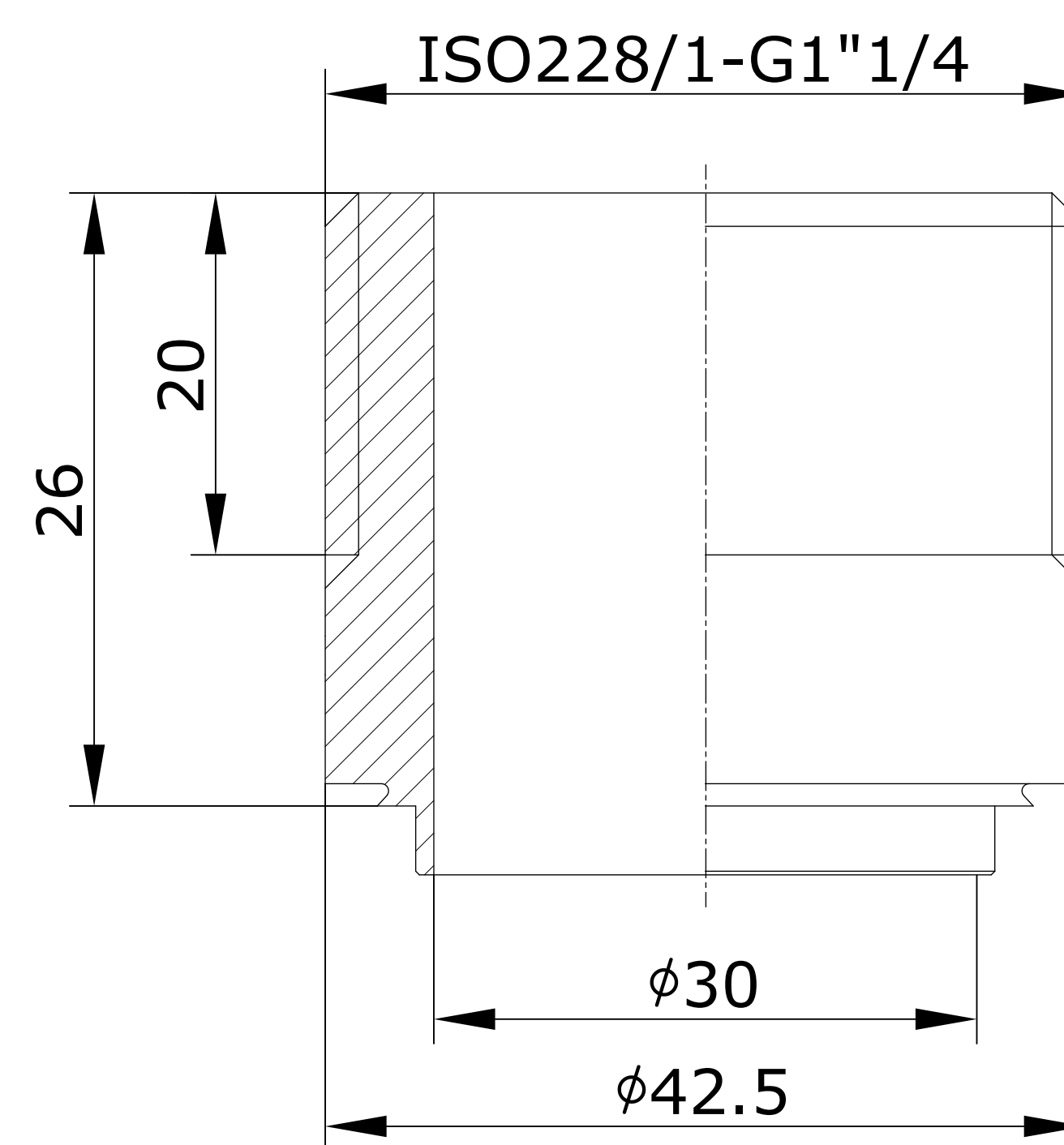


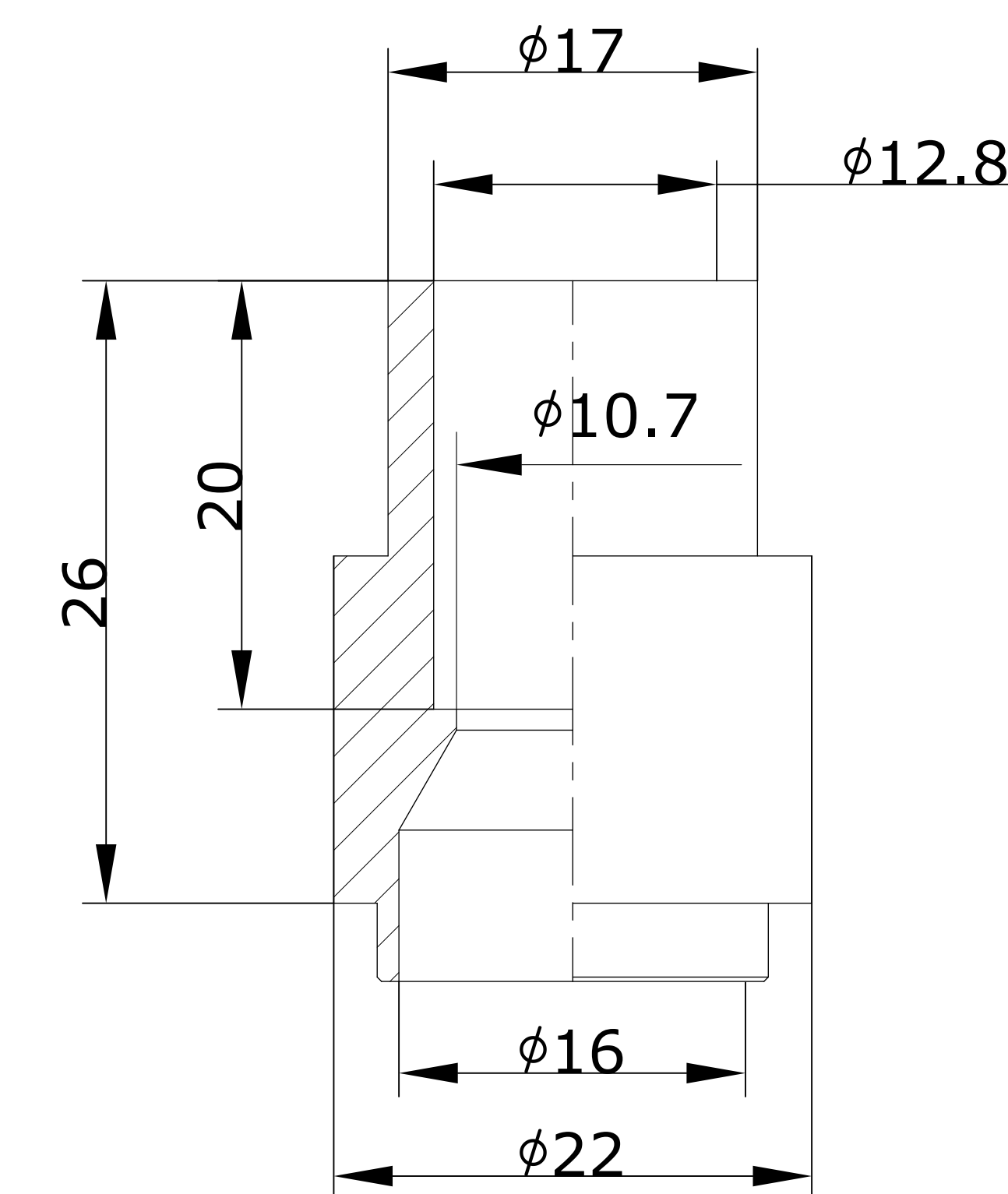
CONTROLLED



Q1-Q2
L1"1/4(W312)
Thread connection



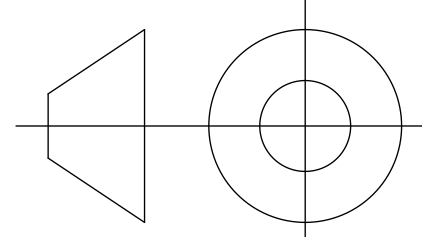

Q3-Q4
H1/2"(H104)
Solder connection



Note: Add feet

DESIGN DATA	
DESIGN PRESSURE	3.0MPa
TEST PRESSURE	4.5MPa
DESIGN TEMPERATURE	-196/+225
LEAKAGE TEST	Helium Test
WEIGHT	5.5 Kg
VOLUME	Q1Q2: 1.14L
	Q3Q4: 1.083L
PLATE MATERIAL	316L
PIPE MATERIAL	304
FRAME MATERIAL	304

ID	RIDAN Code	Drawing No.	Model	Plates(n)	A
1	111B0190R	2309381	027	30	101

Assembly drawing	DEPARTMENT	Sales Department	DATE	SCALE		
	DESIGNER	JLN	2022/11/18			
	INSPECTOR	ZJF				DESIGNATION: Q1Q2(L1"1/4)/Q3Q4(H1/2")
	APPROVAL	FL			DRAWING NO. 2309381	REV. 0