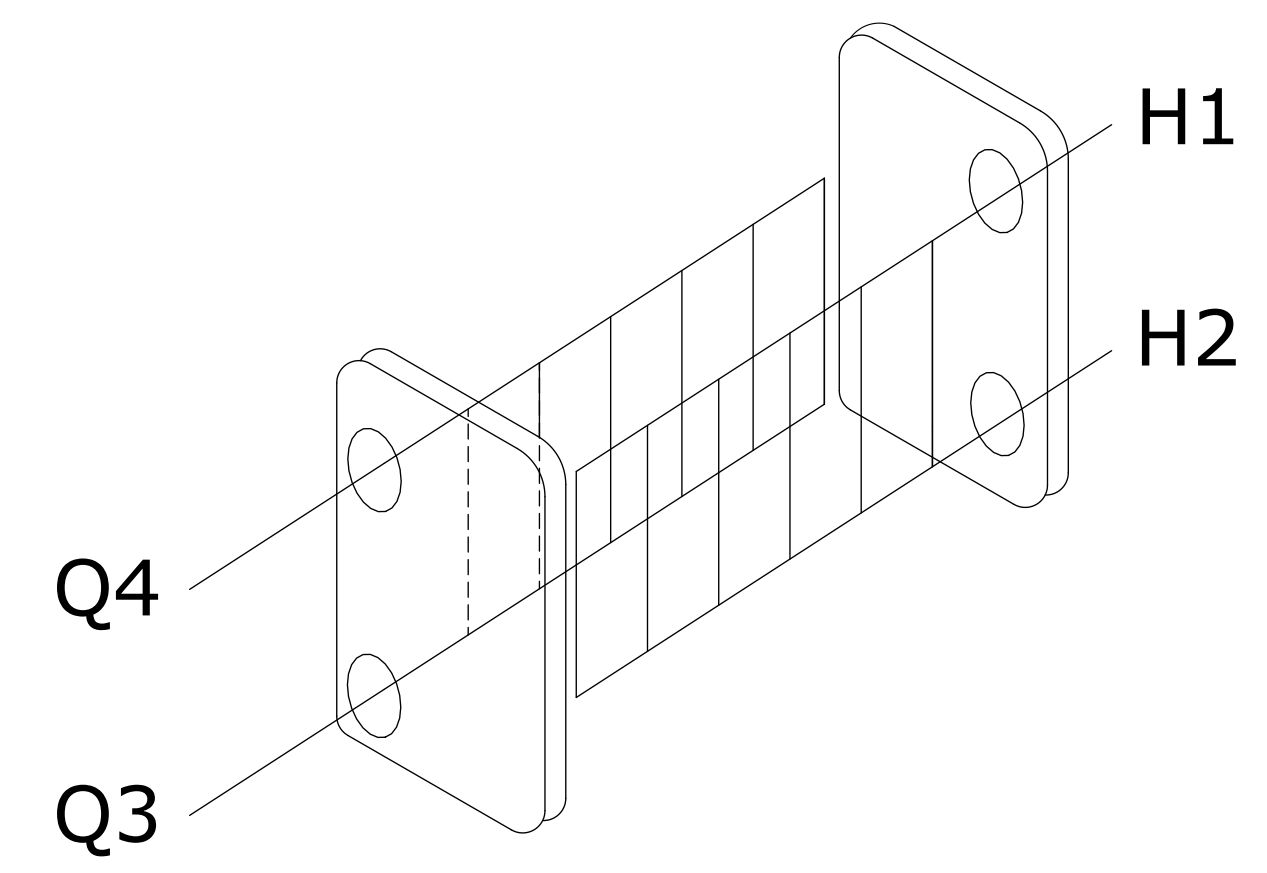
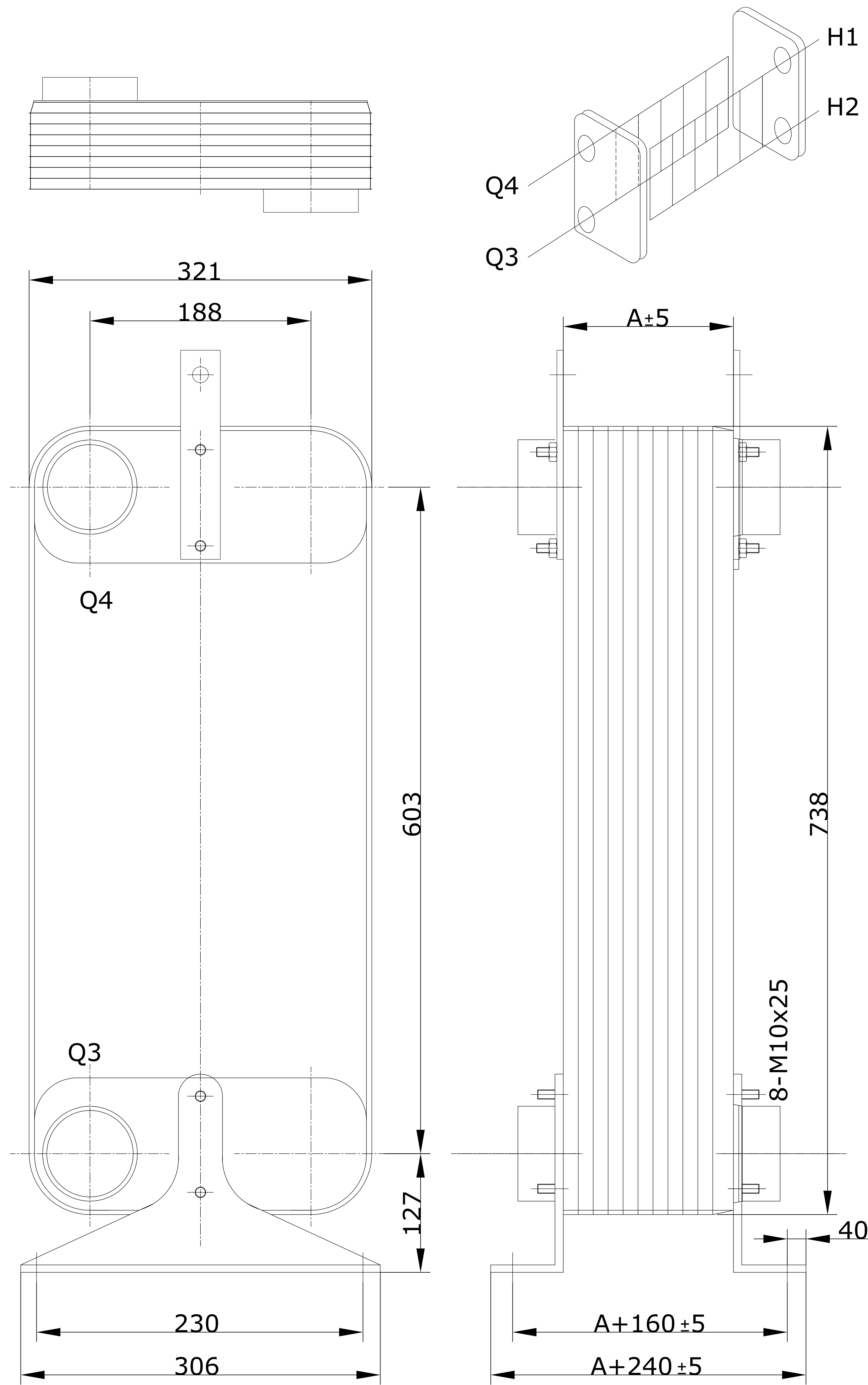
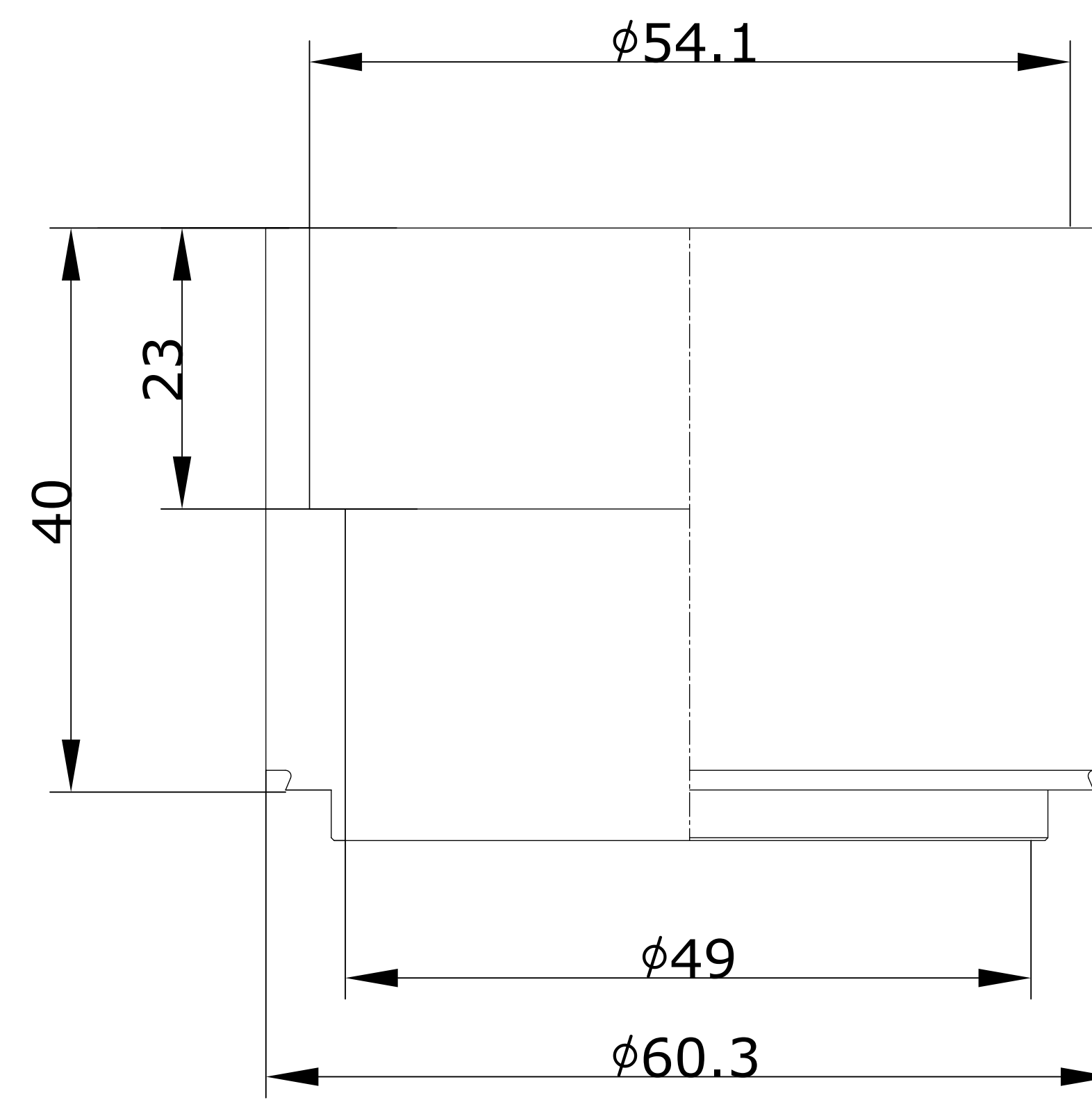


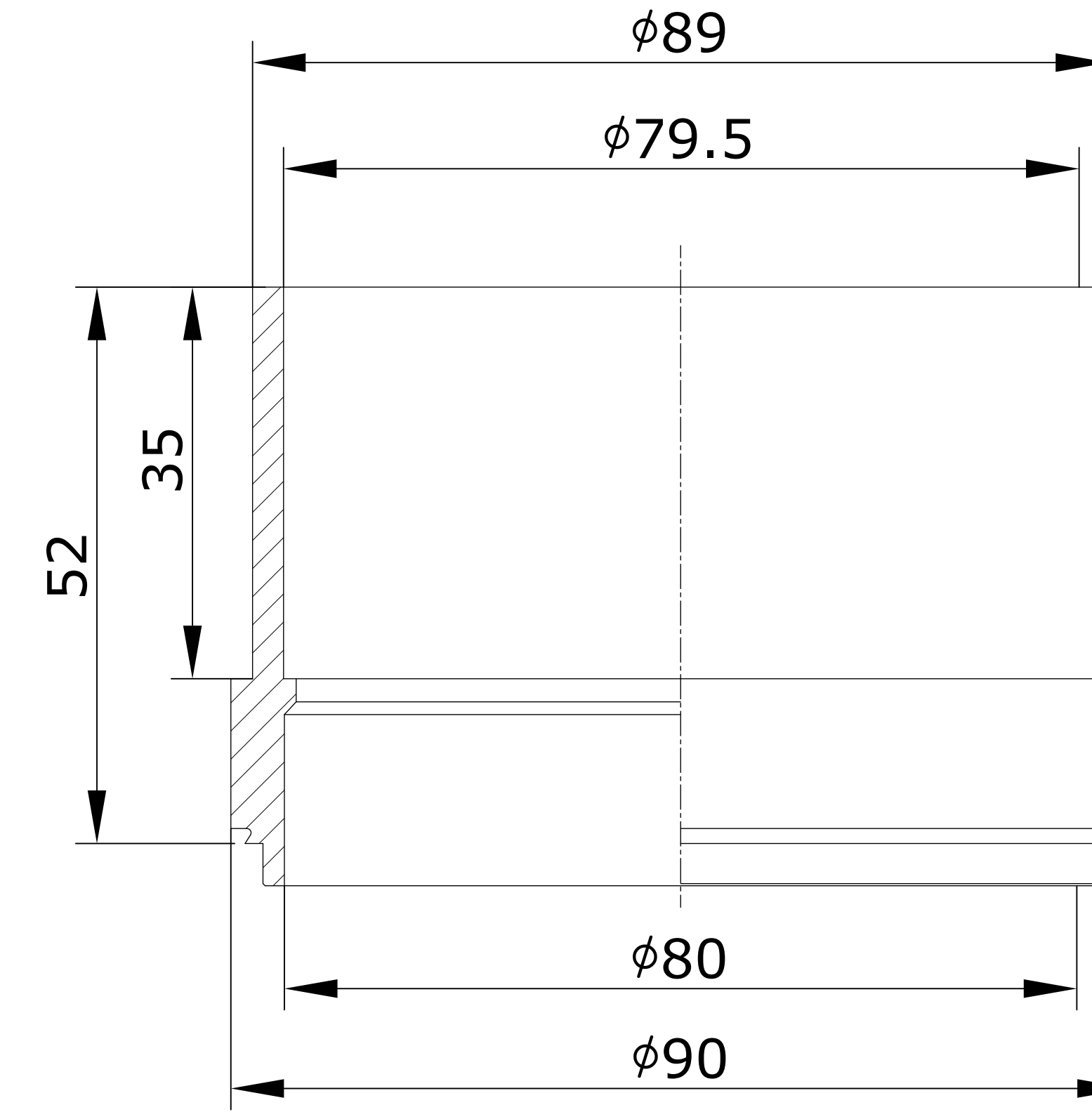
CONTROLLED



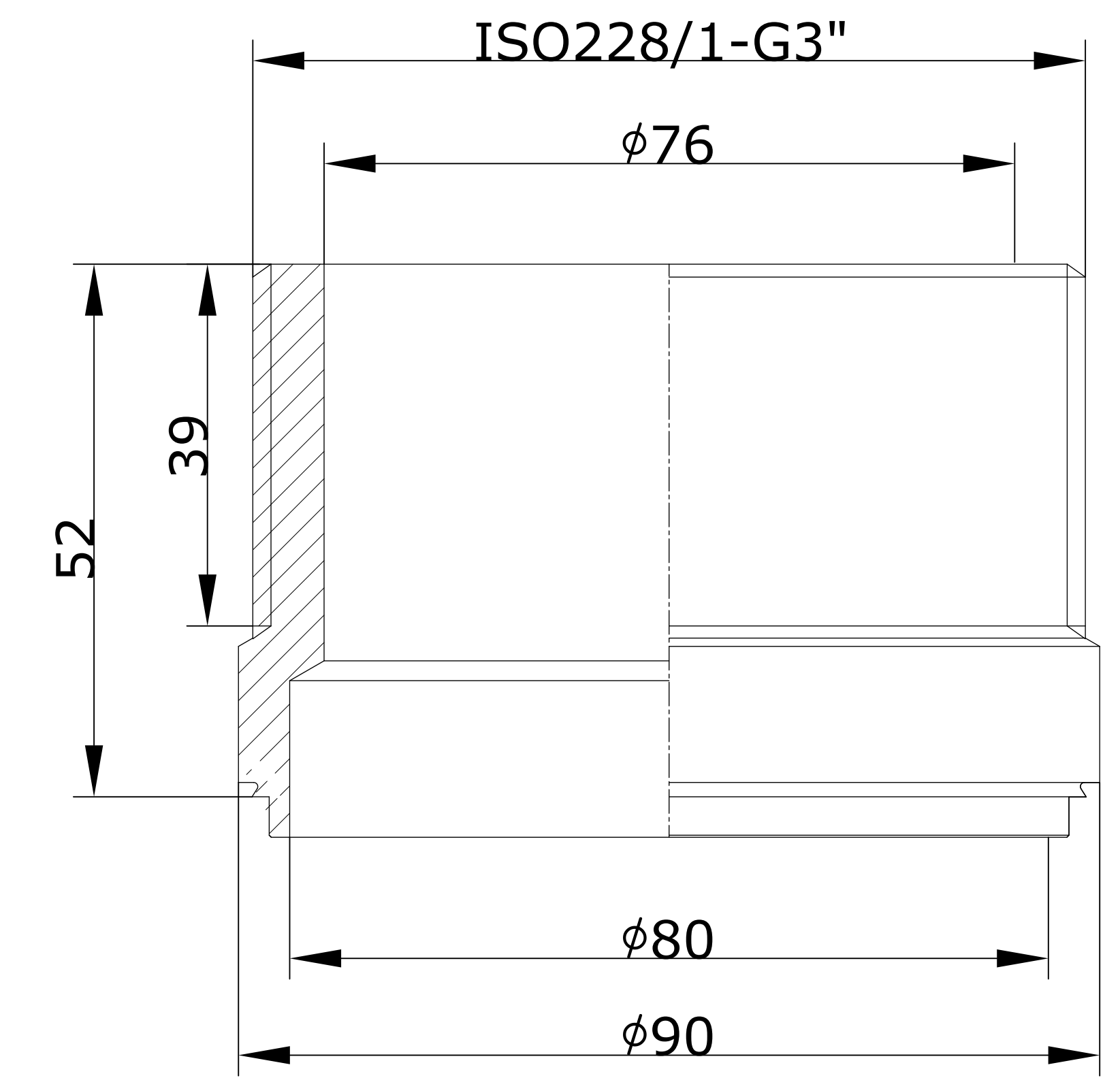
Q3
H2"1/8(H5212)
Solder connection




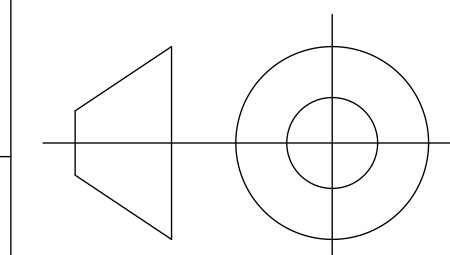
Q4
H3"1/8(L8312)
Solder connection



H1-H2
L3"(LW830)
Thread connection



ID	RIDAN Code	Drawing No.	Model	Plates(n)	A
1	111B0223R	23011904	200	190	535

		DESIGN DATA			
DESIGN PRESSURE		3.0MPa			
TEST PRESSURE		4.5MPa			
DESIGN TEMPERATURE		-196/+225			
LEAKAGE TEST		Helium Test			
WEIGHT		150 Kg			
VOLUME		Q3Q4: 50.76L			
		H1H2: 51.3L			
PLATE MATERIAL		316L			
PIPE MATERIAL		304			
FRAME MATERIAL		304			
Assembly drawing	DEPARTMENT	Sales Department	DATE	SCALE	 RD-200-190-3,0-H- Q3(H2"1/8)Q4(H3"1/8)/ H1H2(L3")/8- M10*25
	DESIGNER	JLN	2023/03/28		
	INSPECTOR	ZJF			
	APPROVAL	FL		DRAWING NO.	