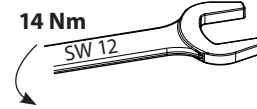
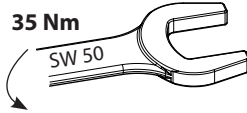
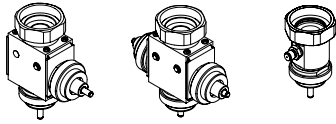
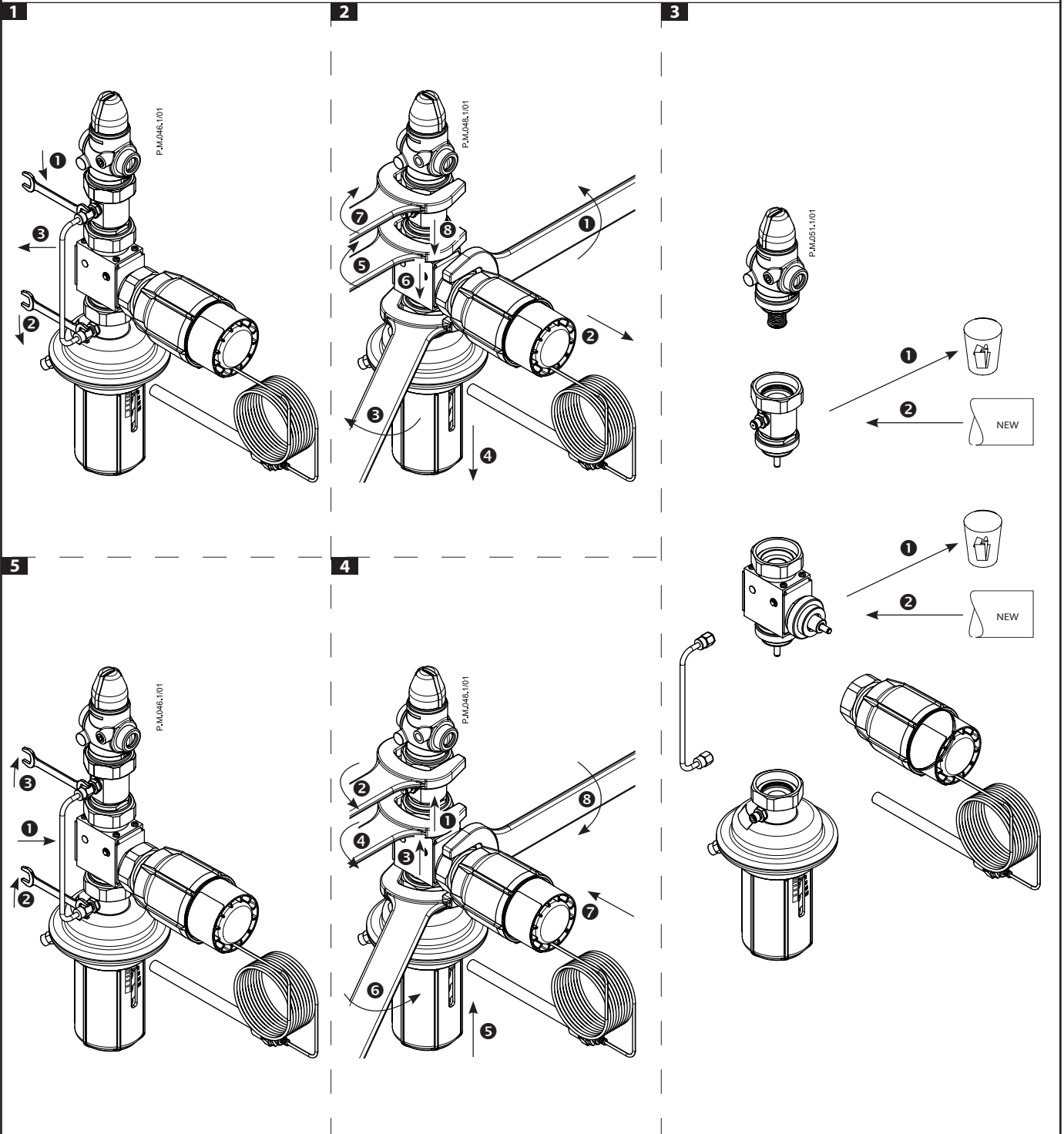


Instructions

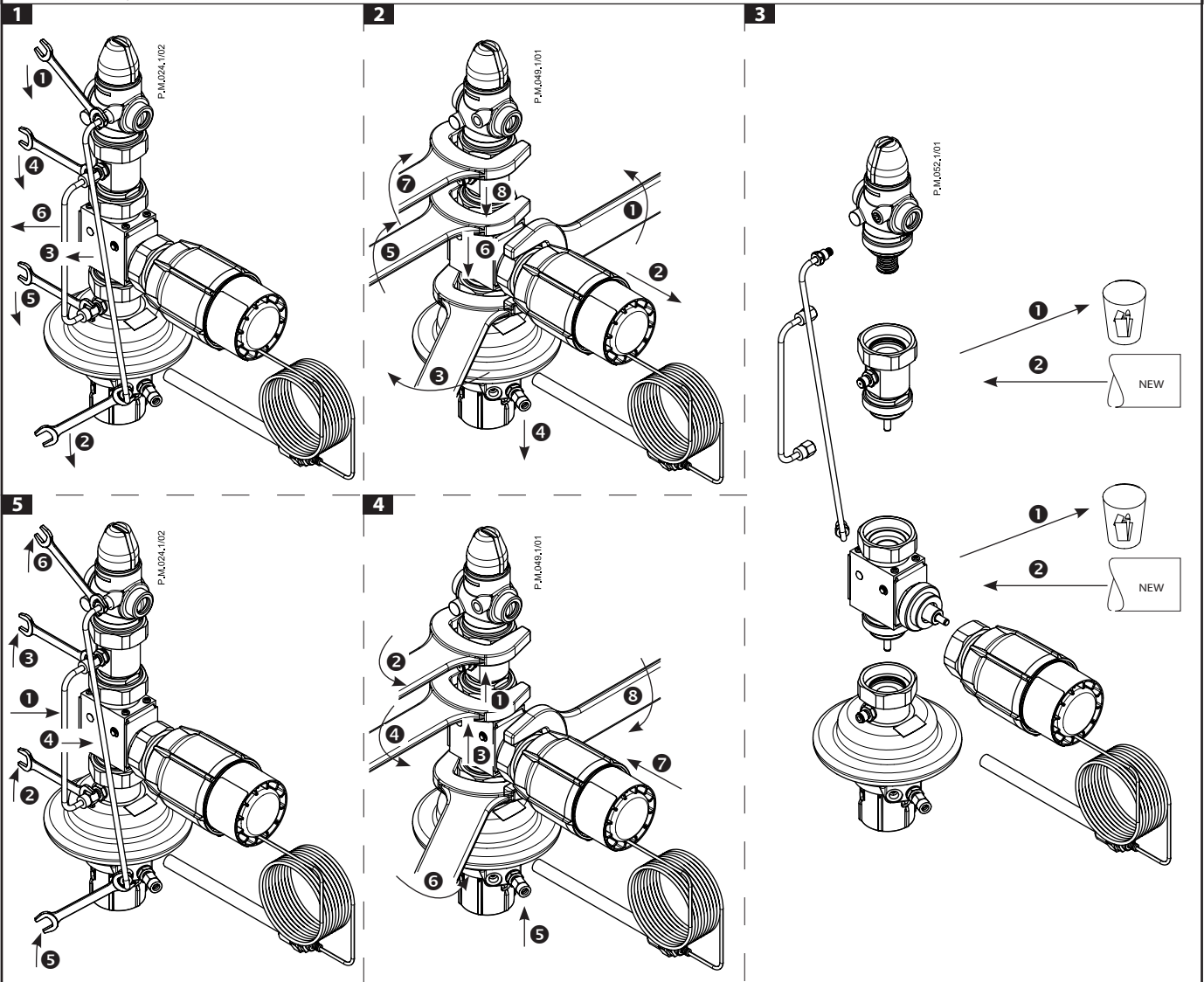
Accessories - K2, K3, V-piece



AVPBT/AVT, AVPBT/STM



AVPQT/AVT, AVPQT/STM



AVT/AVT/VG(F), AVT/AVT/VGS, STM/AVT/VG(F), STM/AVT/VGS

