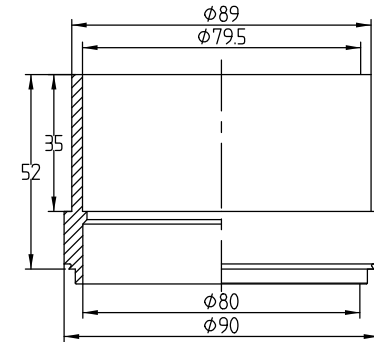
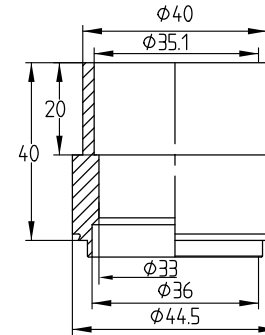


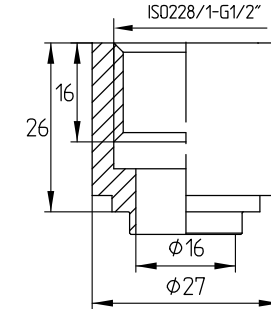
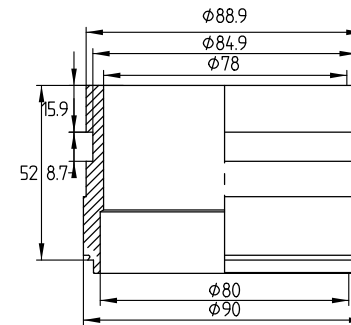
Q3
H1 3/8 (H4138)
Welded Connection

Q6
H3 1/8 (L8312)
Welded Connection



H1-H2
H3 1/8 (LJ830)
Victaulic Connection

Q1-Q2
N1/2 (N104)
Thread Connection



ID	RIDAN Code	Drawing No.	Model	Plates(n)	A	WEIGHT	VOLUME
1	021H8405R	2305523-01	210	158	420	126.76Kg	H1H2:39.5L/Q3Q6:39L
2	021H8413R	2305523-02	210	194	514	152.68Kg	H1H2:48.5L/Q3Q6:48L

		DESIGN DATA	
DESIGN PRESSURE		4.5MPa	
TEST PRESSURE		6.75MPa	
DESIGN TEMPERATURE		-196/+225	
LEAKAGE TEST		Helium Test	
PLATE MATERIAL		316L	
PIPE MATERIAL		304	
FRAME MATERIAL		304	
Assembly drawing	DEPARTMENT	Sales	DATE
	DESIGNER	JLN	2022/05/06
	INSPECTOR	Z JF	2022/05/06
	APPROVAL	FL	2022/05/06
SCALE			
DRAWING NO.		2305523	
DESIGNATION			
		RD-210-n-4.5-HQ-Q1Q2(N1/2)/Q3(H1 3/8)/Q6(H3 1/8)/H1H2(H3 1/8)/12-M10*25	
REV		0	