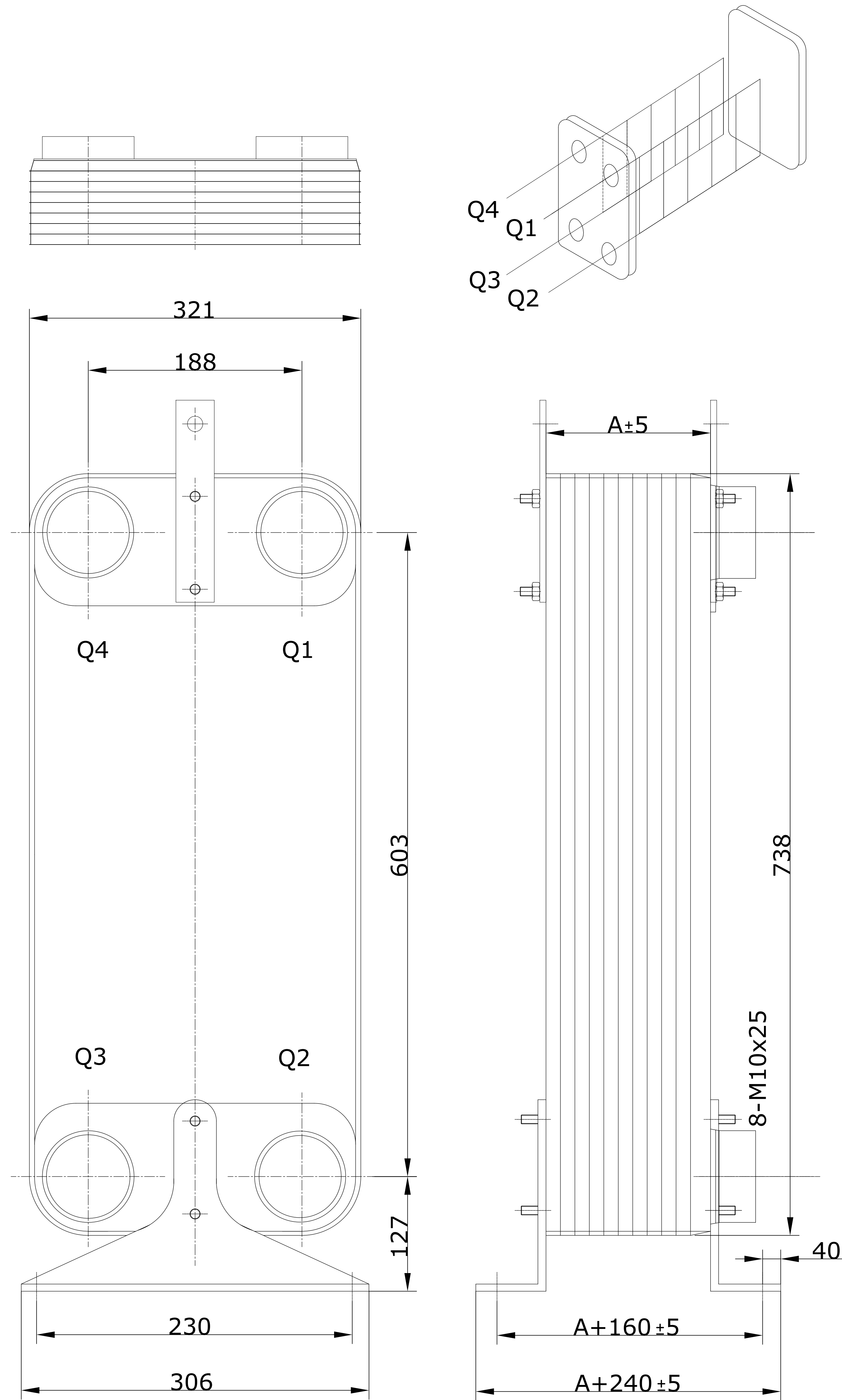
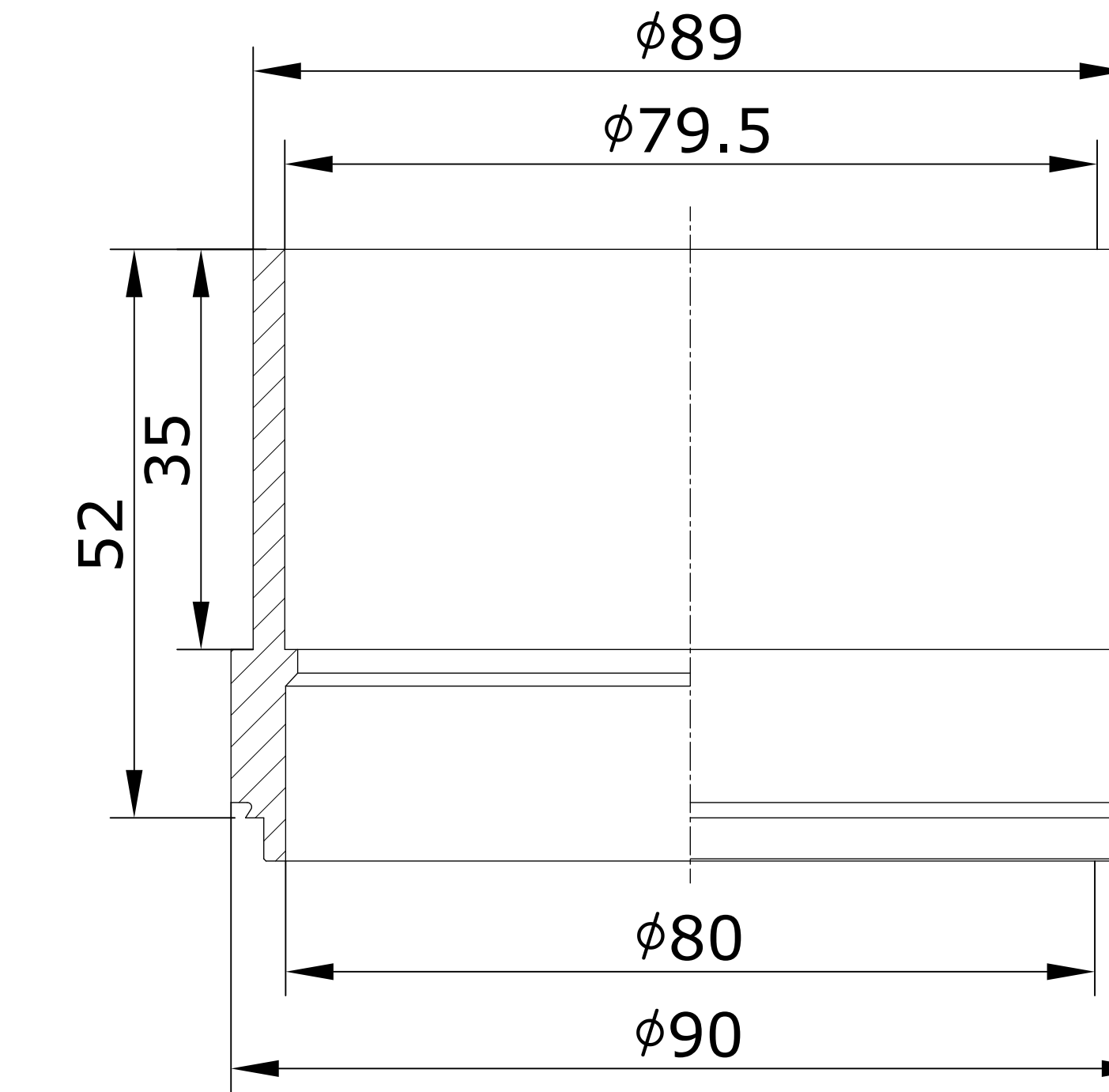
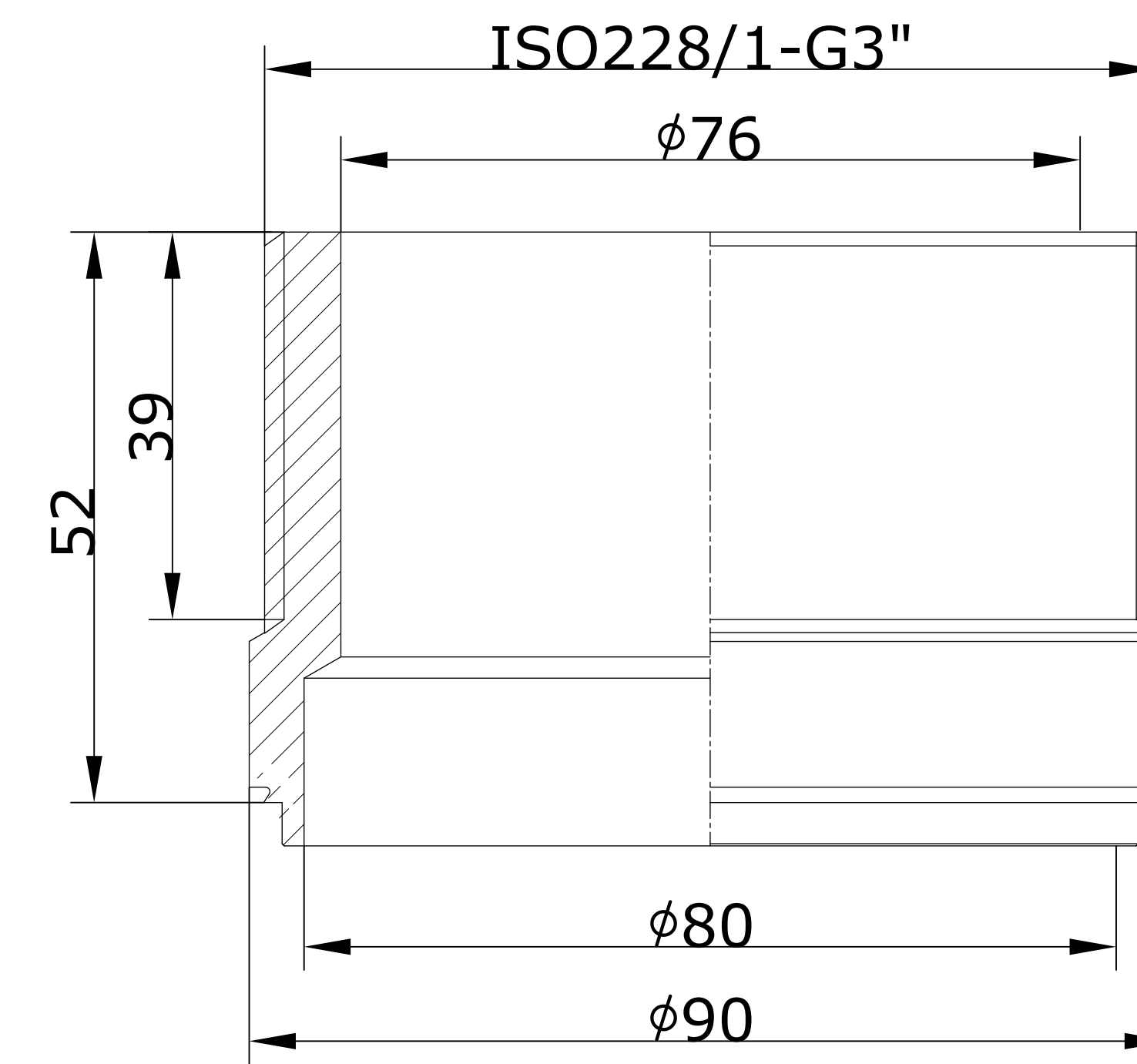


CONTROLLED




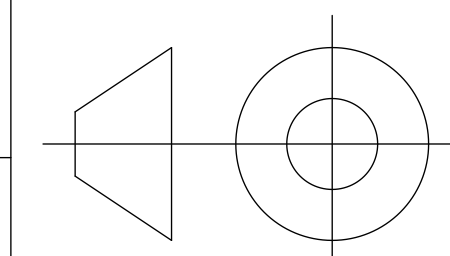
Q1-Q2
G3"(LW830)
Thread connection

Q3-Q4
H3"1/8(L8312)
Solder connection



Note: Add feet

ID	RIDAN Code	Drawing No.	Model	Plates(n)	A
1	111B0264R	23014538	200	50	150

		DESIGN DATA			
DESIGN PRESSURE		3.0MPa			
TEST PRESSURE		4.5MPa			
DESIGN TEMPERATURE		-196/+225			
LEAKAGE TEST		Helium Test			
WEIGHT		52 Kg			
VOLUME		Q1Q2: 13.5L			
		Q3Q4: 12.96L			
PLATE MATERIAL		316L			
PIPE MATERIAL		304			
FRAME MATERIAL		304			
Assembly drawing	DEPARTMENT	Sales Department	DATE	SCALE	 RD-200-50-3,0-L- Q3Q4(H3"1/8)/ Q1Q2(G3)/8- M10*25
	DESIGNER	JLN	2023/09/05		
	INSPECTOR	ZJF			
	APPROVAL	FL		DRAWING NO.	