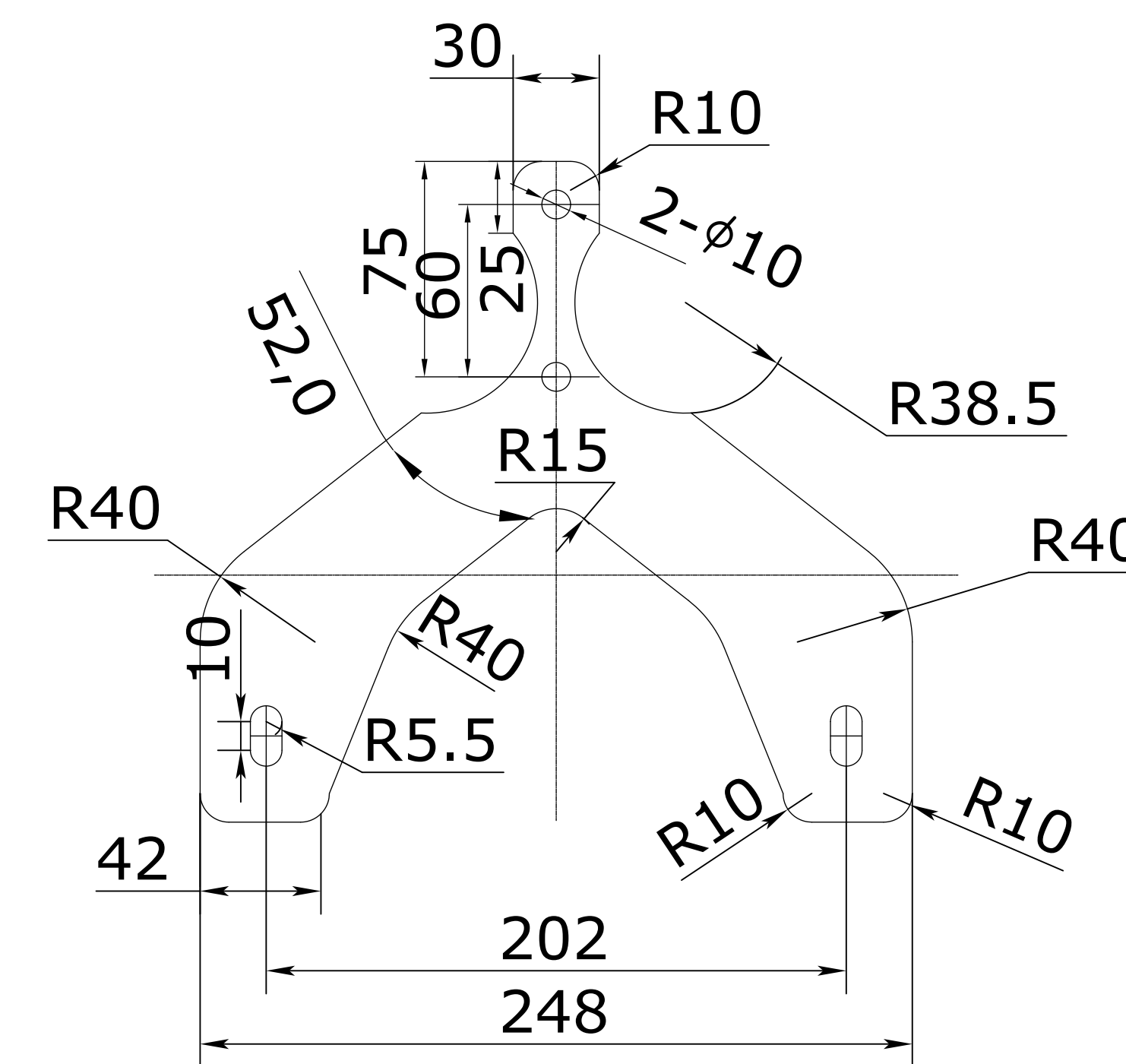
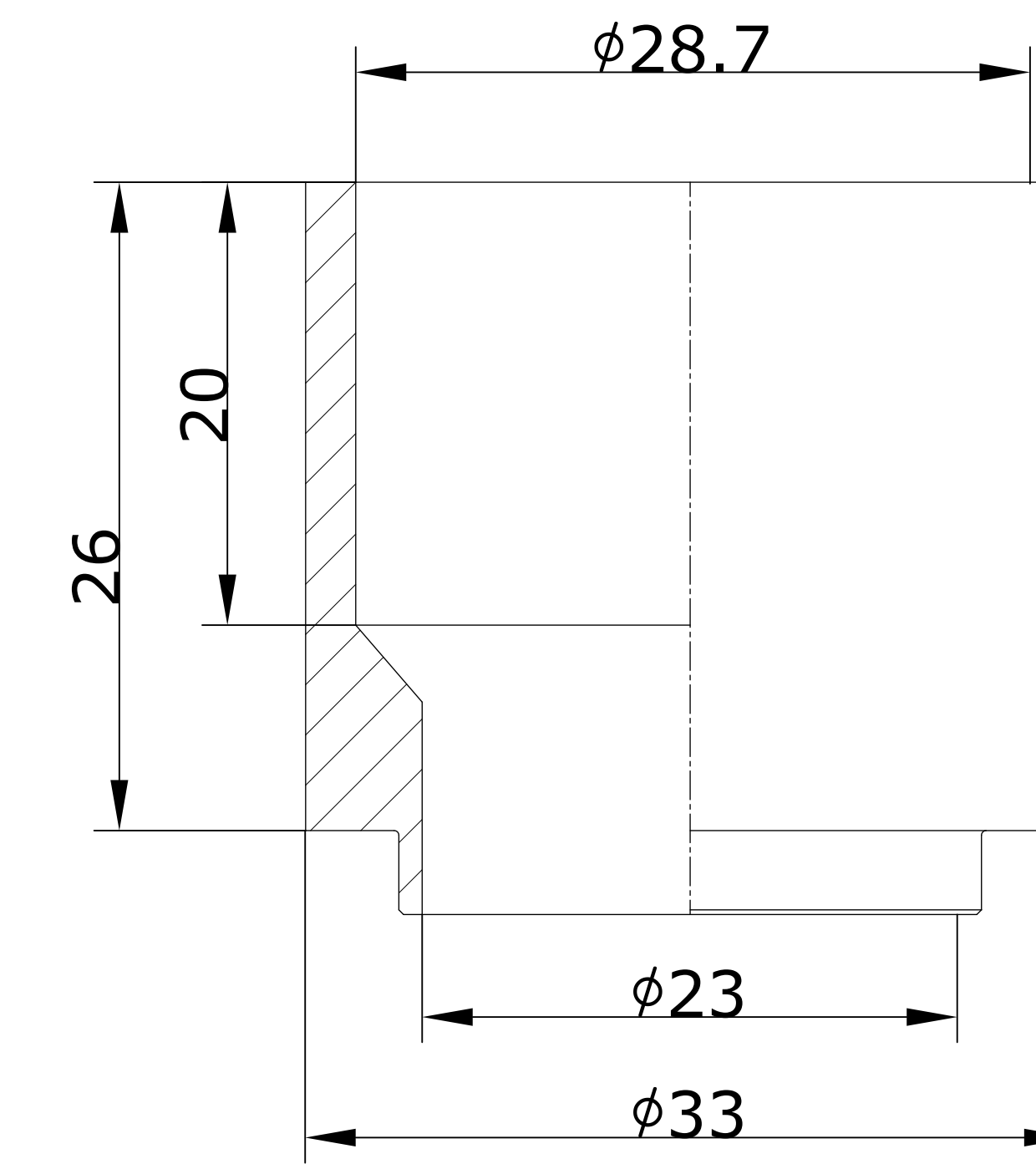
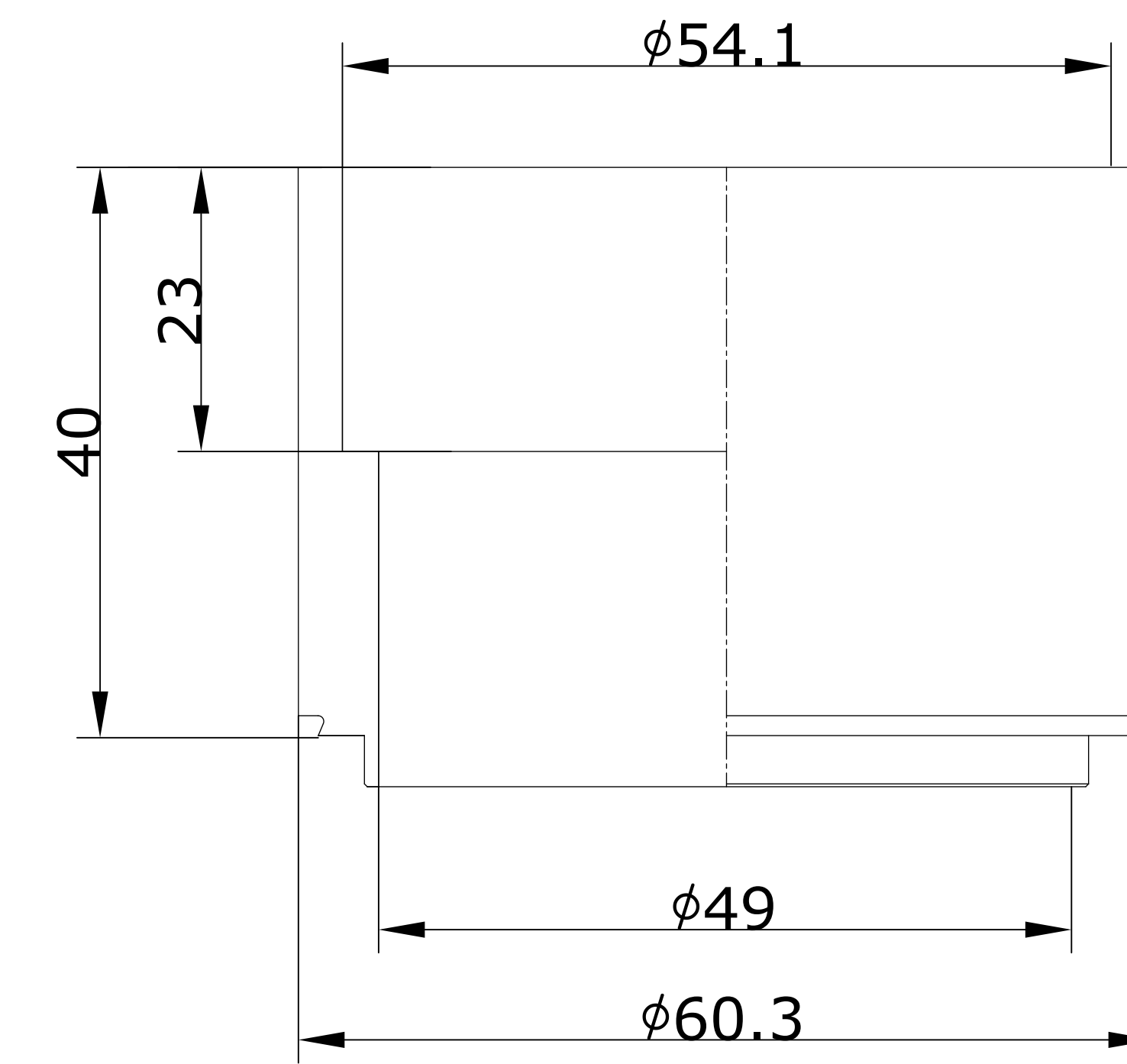
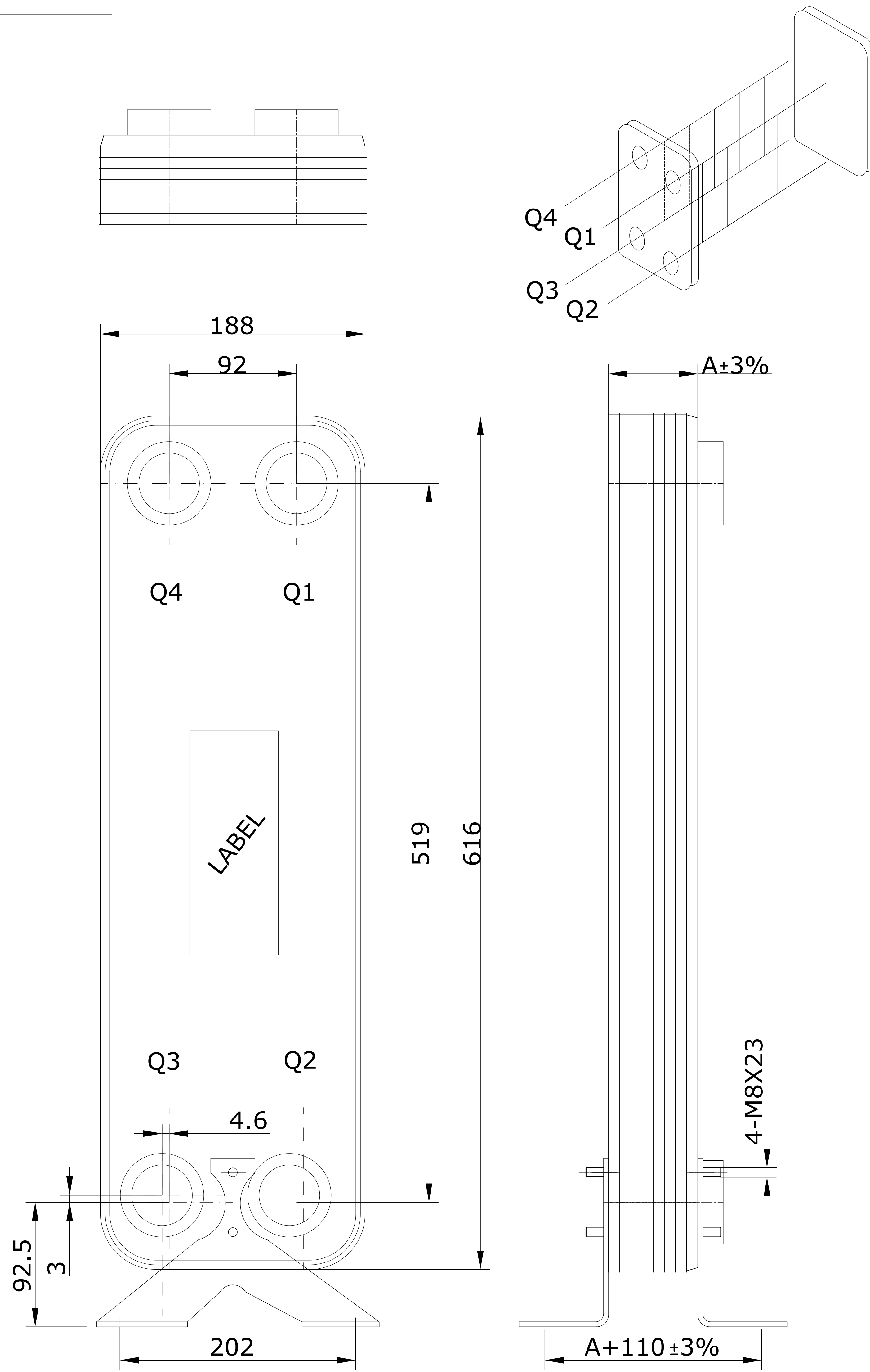


CONTROLLED

Q1-Q2-Q4
H2"1/8(H5212)
Solder connection

Q3
H1"1/8(H2116)
Solder connection



DESIGN DATA	
DESIGN PRESSURE	3.0MPa
TEST PRESSURE	4.5MPa
DESIGN TEMPERATURE	-196/+225
LEAKAGE TEST	Helium Test
WEIGHT	34 Kg
VOLUME	Q1Q2: 7L
	Q3Q4: 6.8L
PLATE MATERIAL	316L
PIPE MATERIAL	304
FRAME MATERIAL	304

ID	RIDAN Code	Drawing No.	Model	Plates(n)	A
1	111B0262R	23014381	095	70	177

Assembly drawing	DEPARTMENT	Sales Department	DATE	SCALE	 RD-095-70-3.0-HQ- Q3(H1"1/8)Q4(H2"1/8)/ Q1Q2(H2"1/8)/4- M8*23
	DESIGNER	JLN	2023/08/25		
	INSPECTOR	ZJF			
	APPROVAL	FL			
DRAWING NO. 23014381			REV. 2		