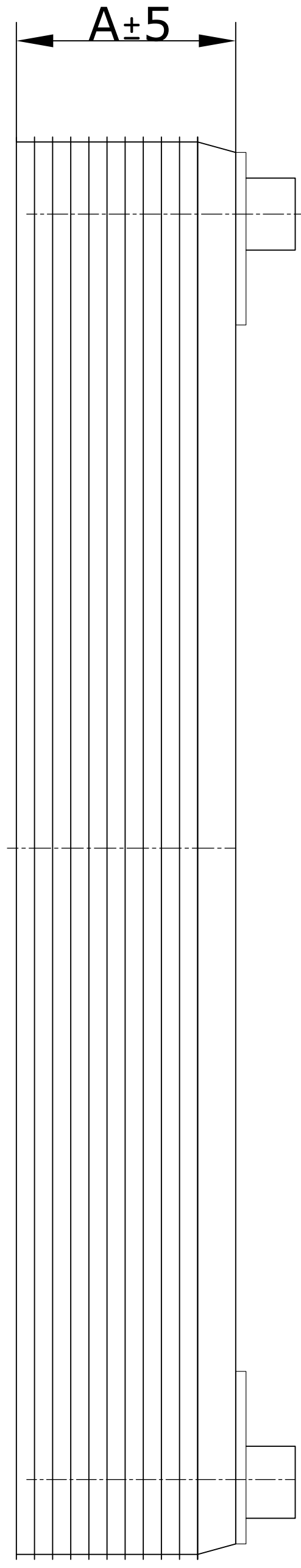
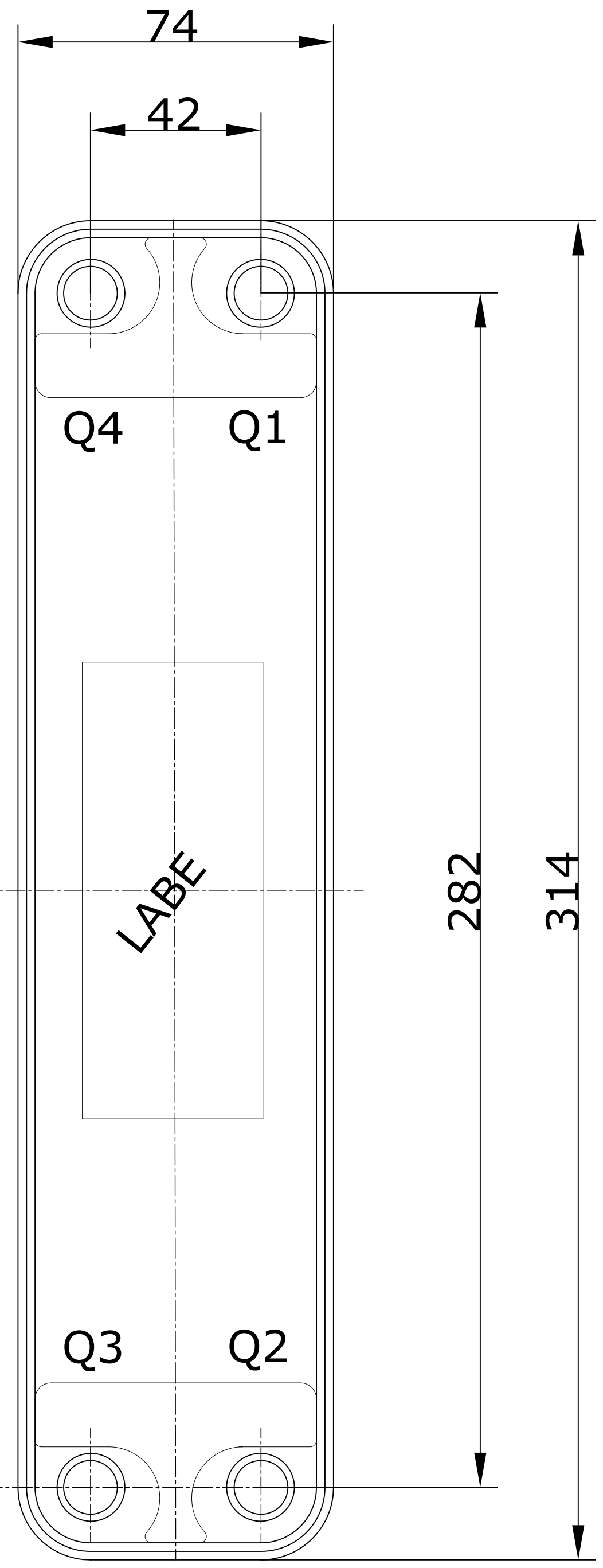
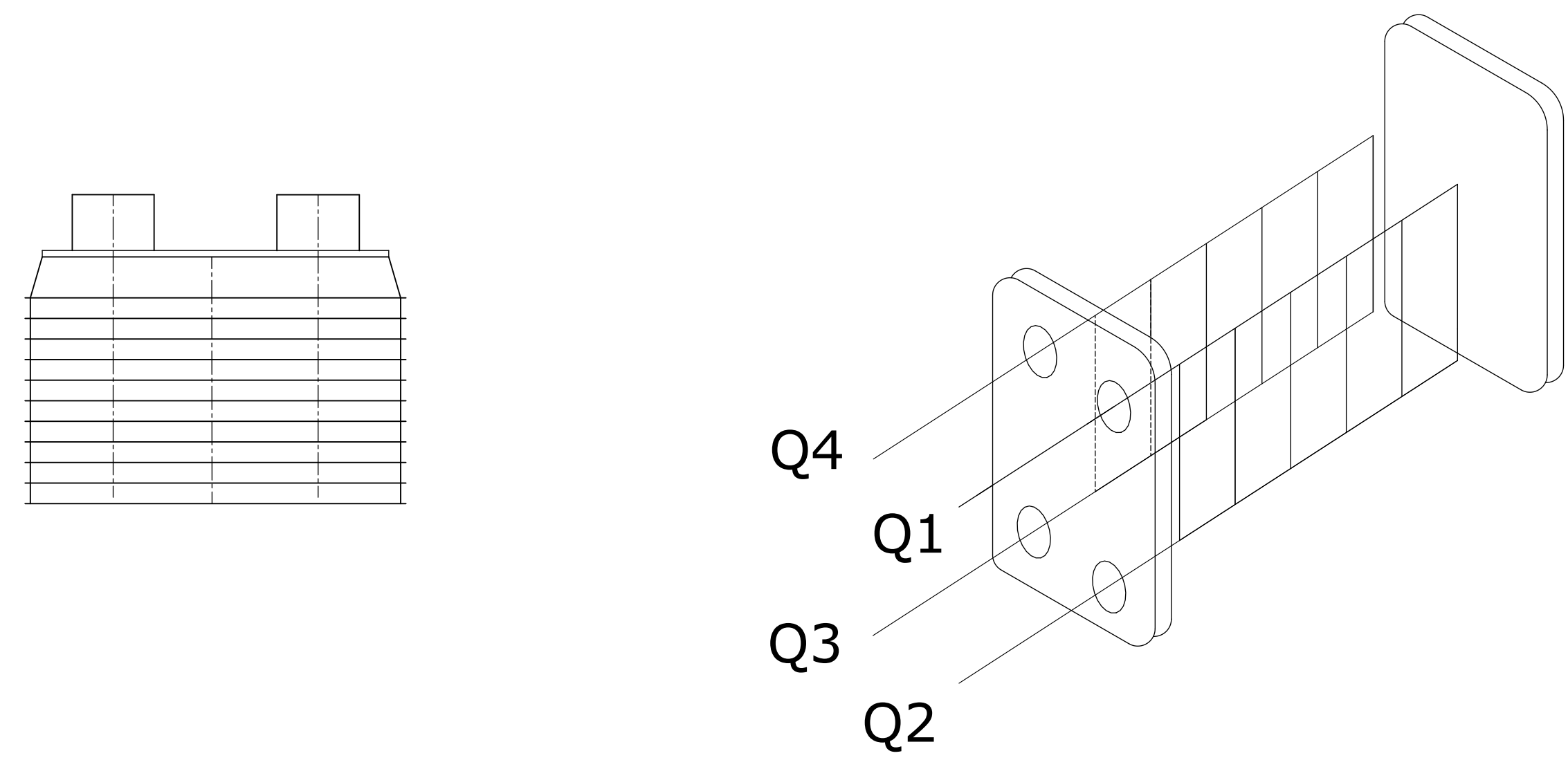
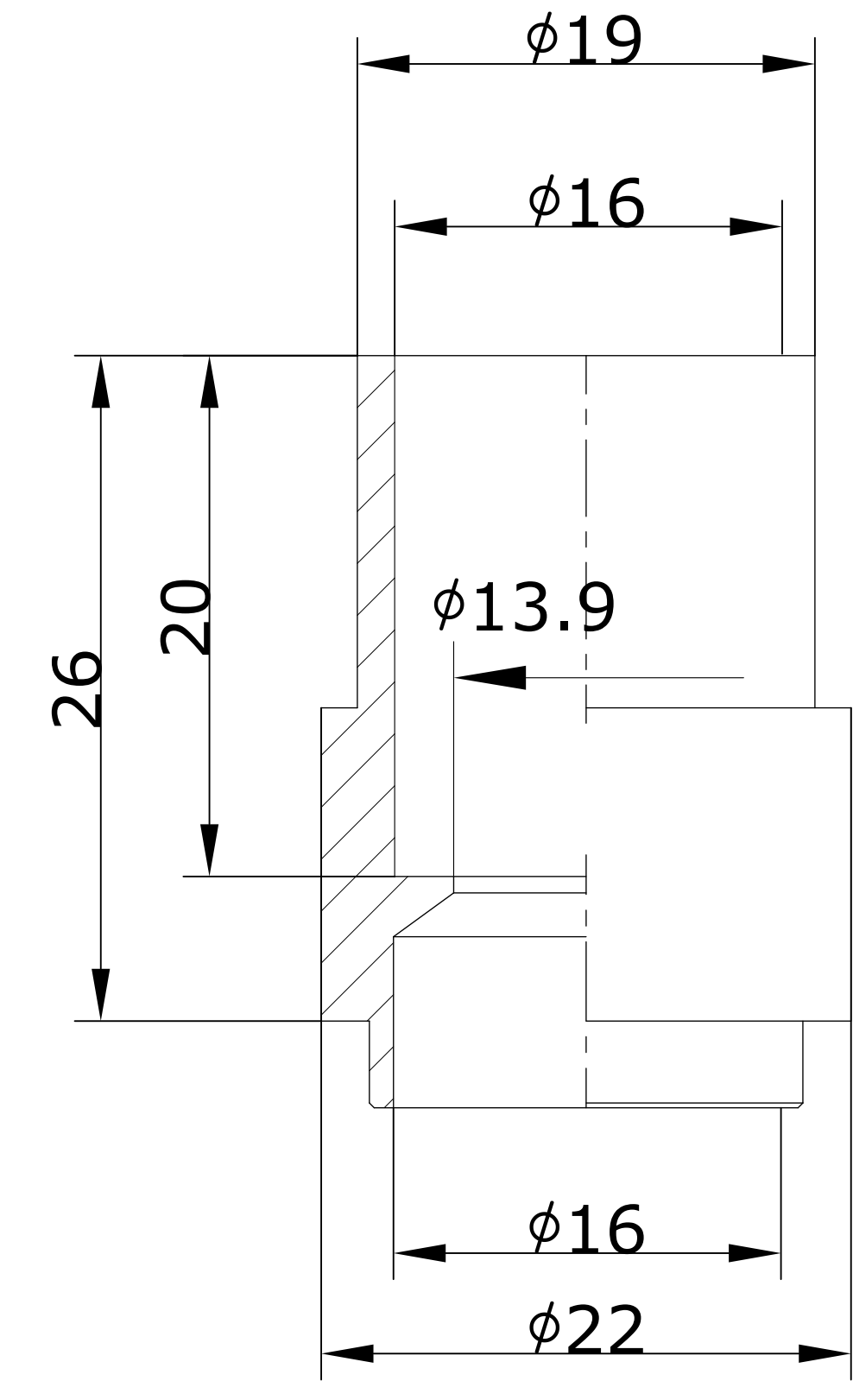


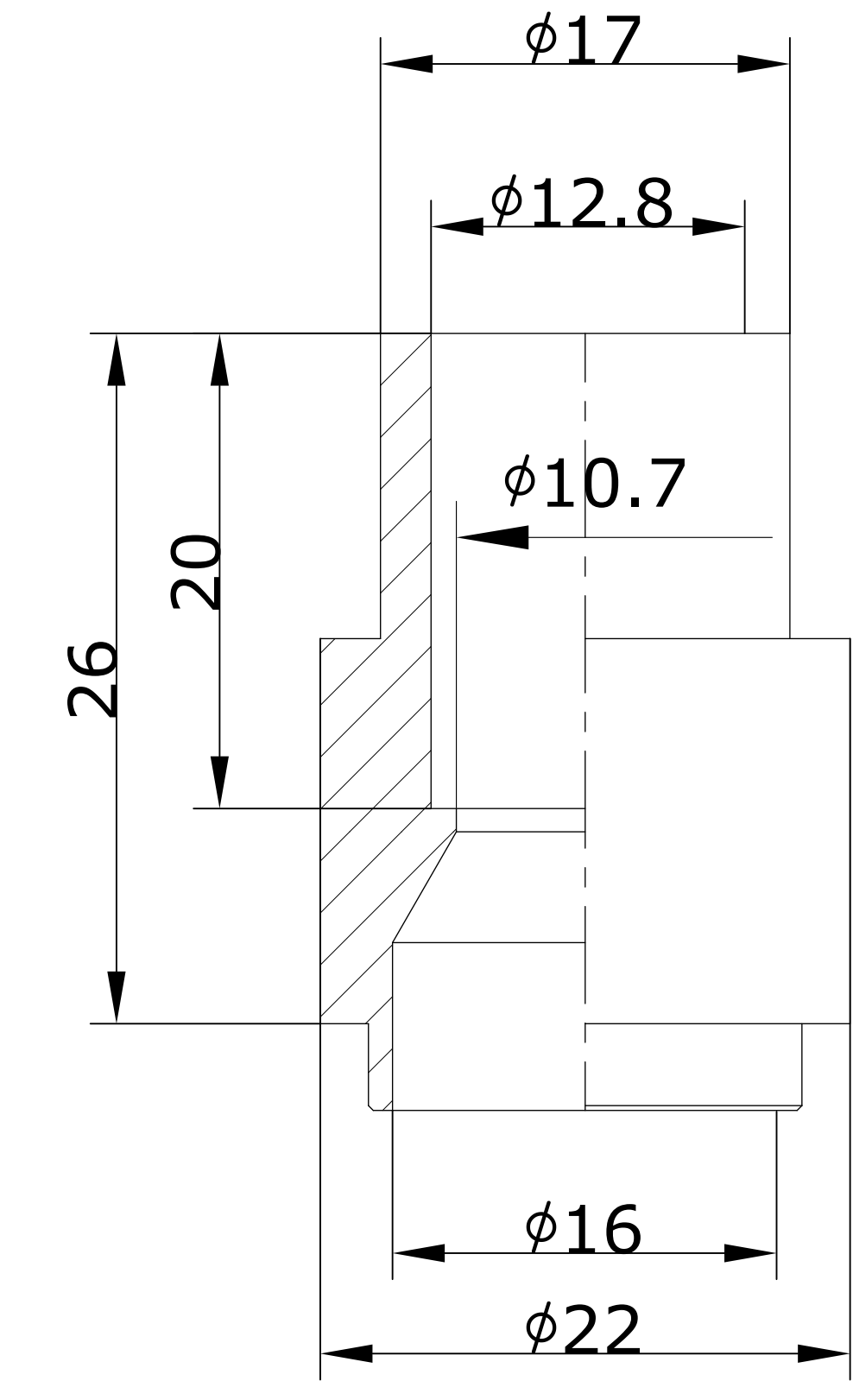
CONTROLLED



Q1-Q2-Q4
H5/8"(H1056)
Solder connection



Q3
H1/2"(H104)
Solder connection



Note: Add feet

DESIGN DATA	
DESIGN PRESSURE	4.5MPa
TEST PRESSURE	6.75MPa
DESIGN TEMPERATURE	-196/+225
LEAKAGE TEST	Helium Test
WEIGHT	1.6Kg
VOLUME	Q1Q2: 0.168L
	Q3Q4: 0.126L
PLATE MATERIAL	316L
PIPE MATERIAL	304
FRAME MATERIAL	304

ID	RIDAN Code	Drawing No.	Model	Plates(n)	A
1	111B0226R	23012268	020W	8	29

Assembly drawing	DEPARTMENT	Sales Department	DATE	SCALE	 DESIGNATION: RD-020W-8-4,5-H-Q1Q2(H5/8")/Q3(H1/2")Q4(H5/8")
	DESIGNER	JLN	2023/04/17		
	INSPECTOR	ZJF			
	APPROVAL	FL			