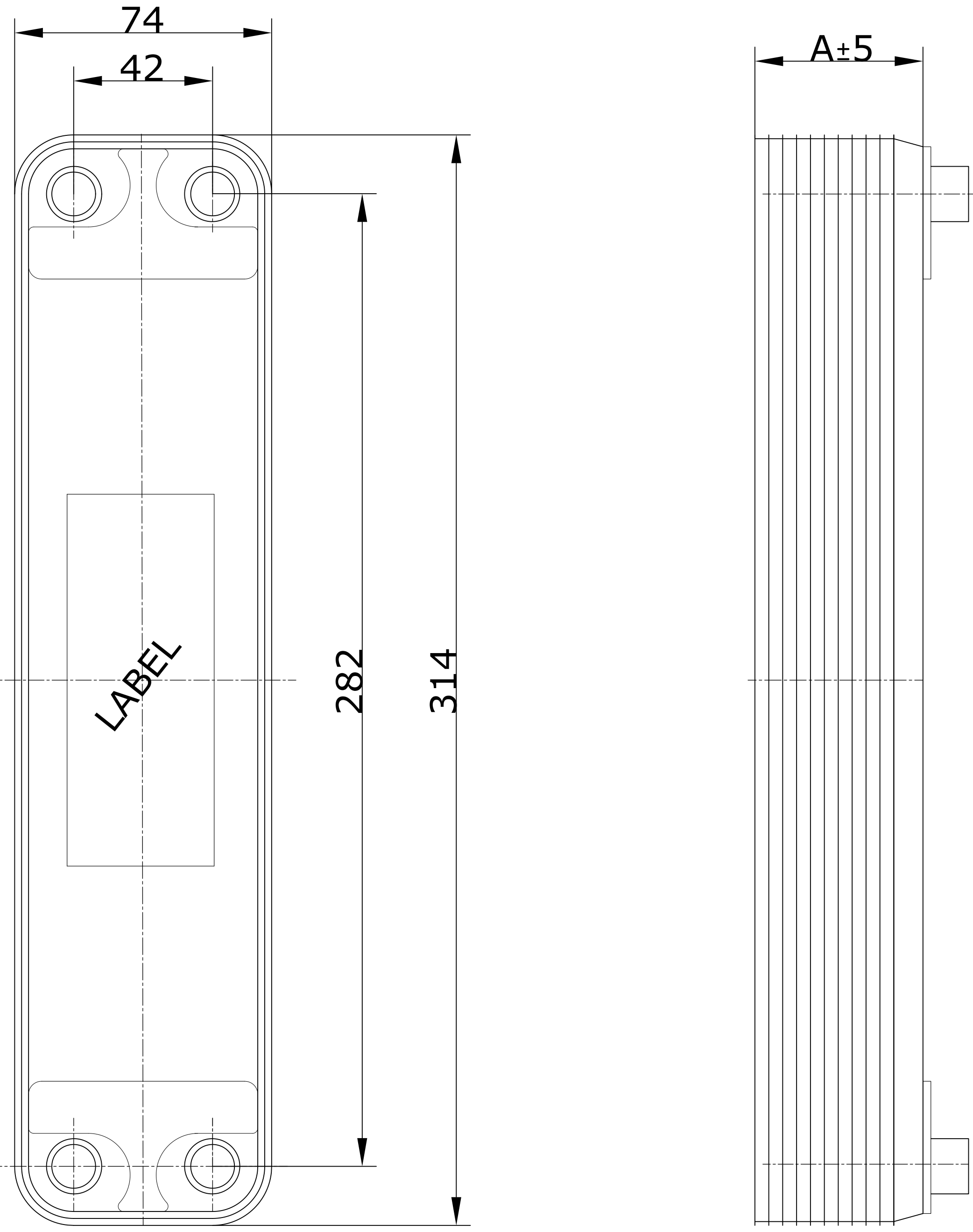
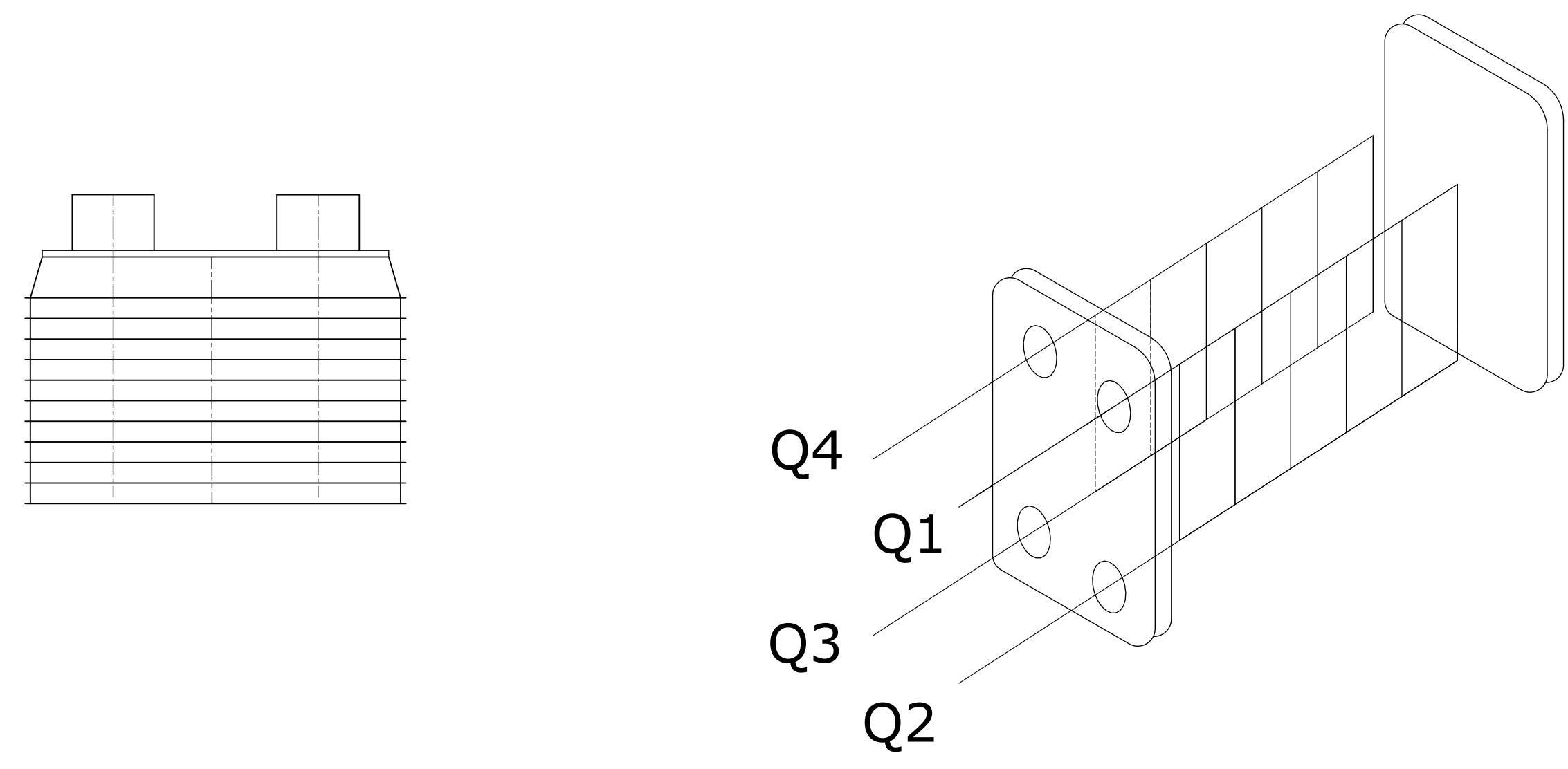
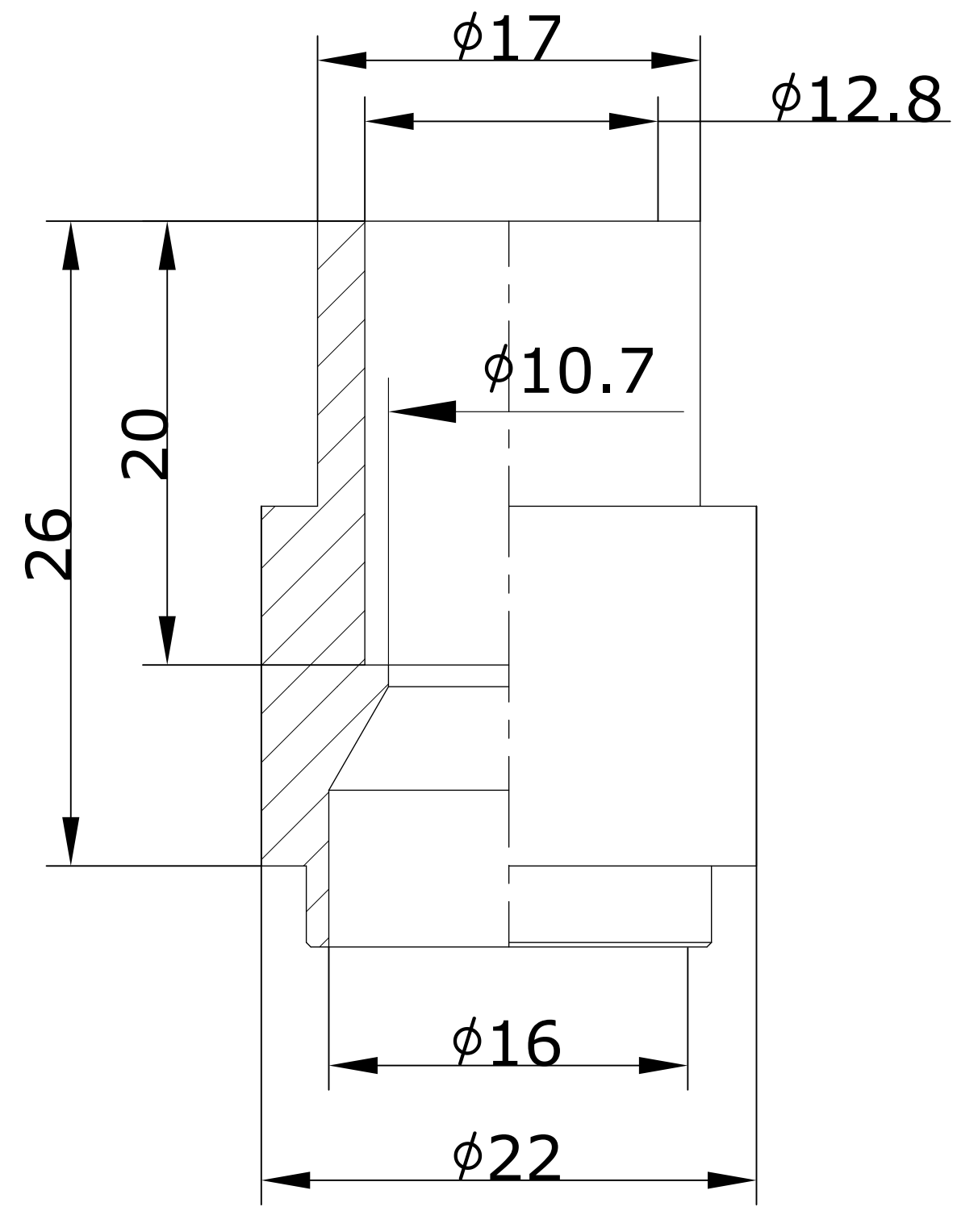


CONTROLLED


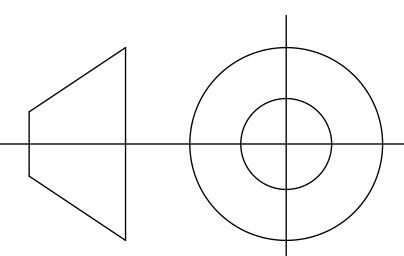


Q1-Q2-Q3-Q4
H1/2"(H104)
Solder connection



DESIGN DATA	
DESIGN PRESSURE	4.5MPa
TEST PRESSURE	6.75MPa
DESIGN TEMPERATURE	-196/+225
LEAKAGE TEST	Helium Test
WEIGHT	2.09 Kg
VOLUME	Q1Q2: 0.294L
	Q3Q4: 0.252L
PLATE MATERIAL	316L
PIPE MATERIAL	304
FRAME MATERIAL	304

ID	RIDAN Code	Drawing No.	Model	Plates(n)	A
1	111B0266R	23015299	20W	14	43

Assembly drawing	DEPARTMENT	Sales Department	DATE	SCALE		
	DESIGNER	JLN	2023/10/27			DESIGNATION: RD-020W-14-4,5-H-Q1Q2Q3Q4(H1/2")
	INSPECTOR	ZJF				
	APPROVAL	FL		DRAWING NO.	23015299	REV. 0