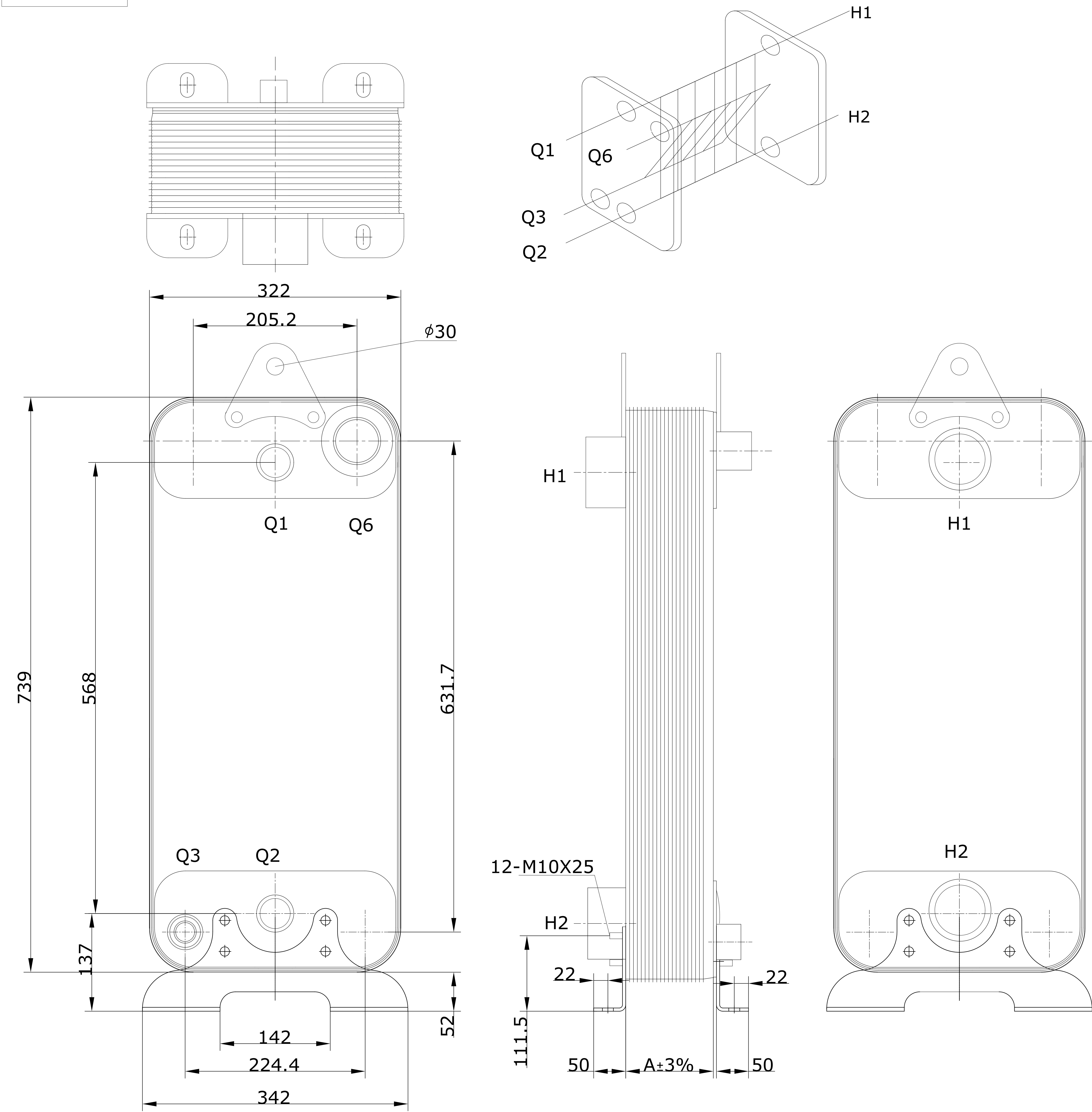
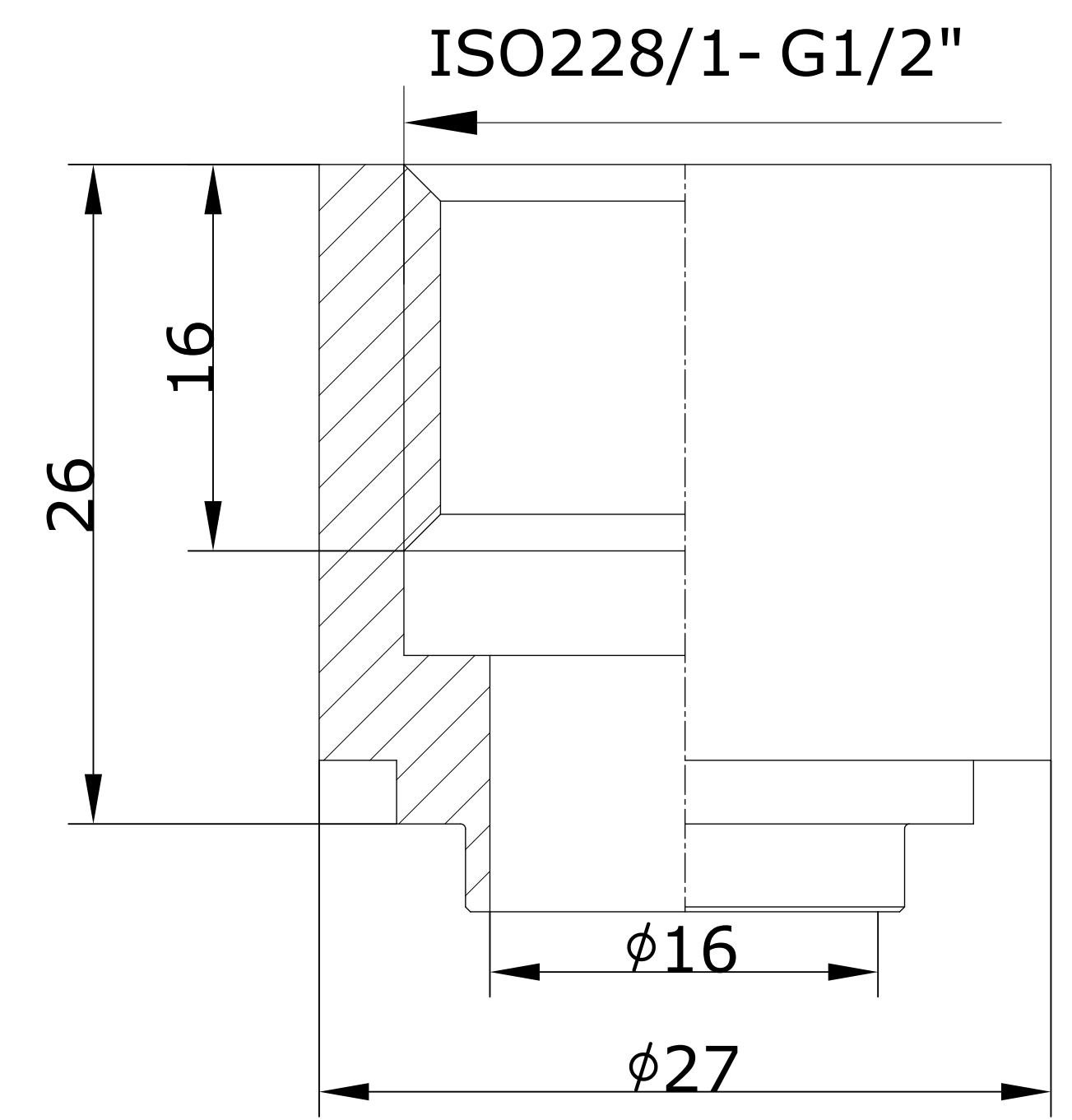


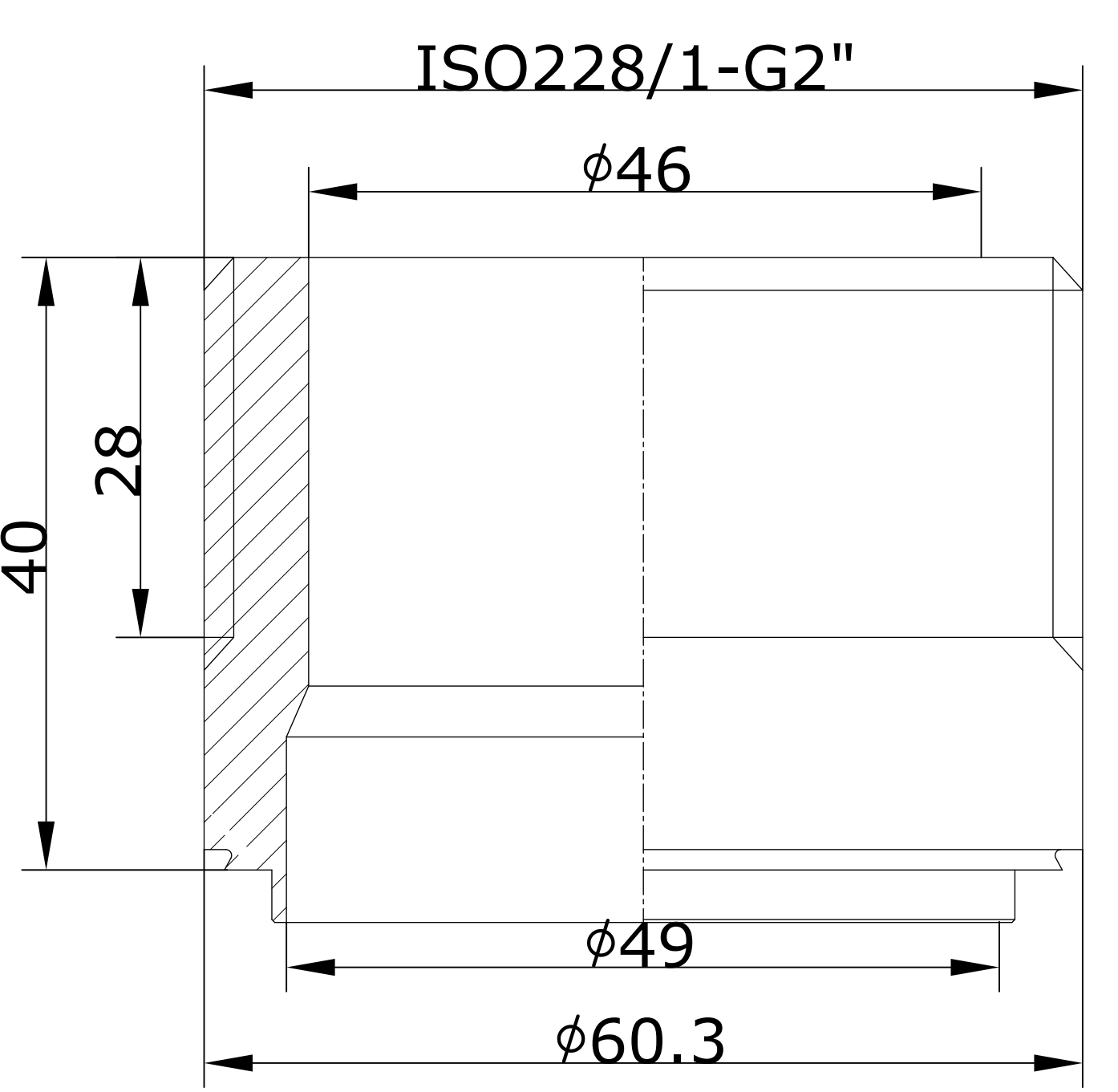
CONTROLLED



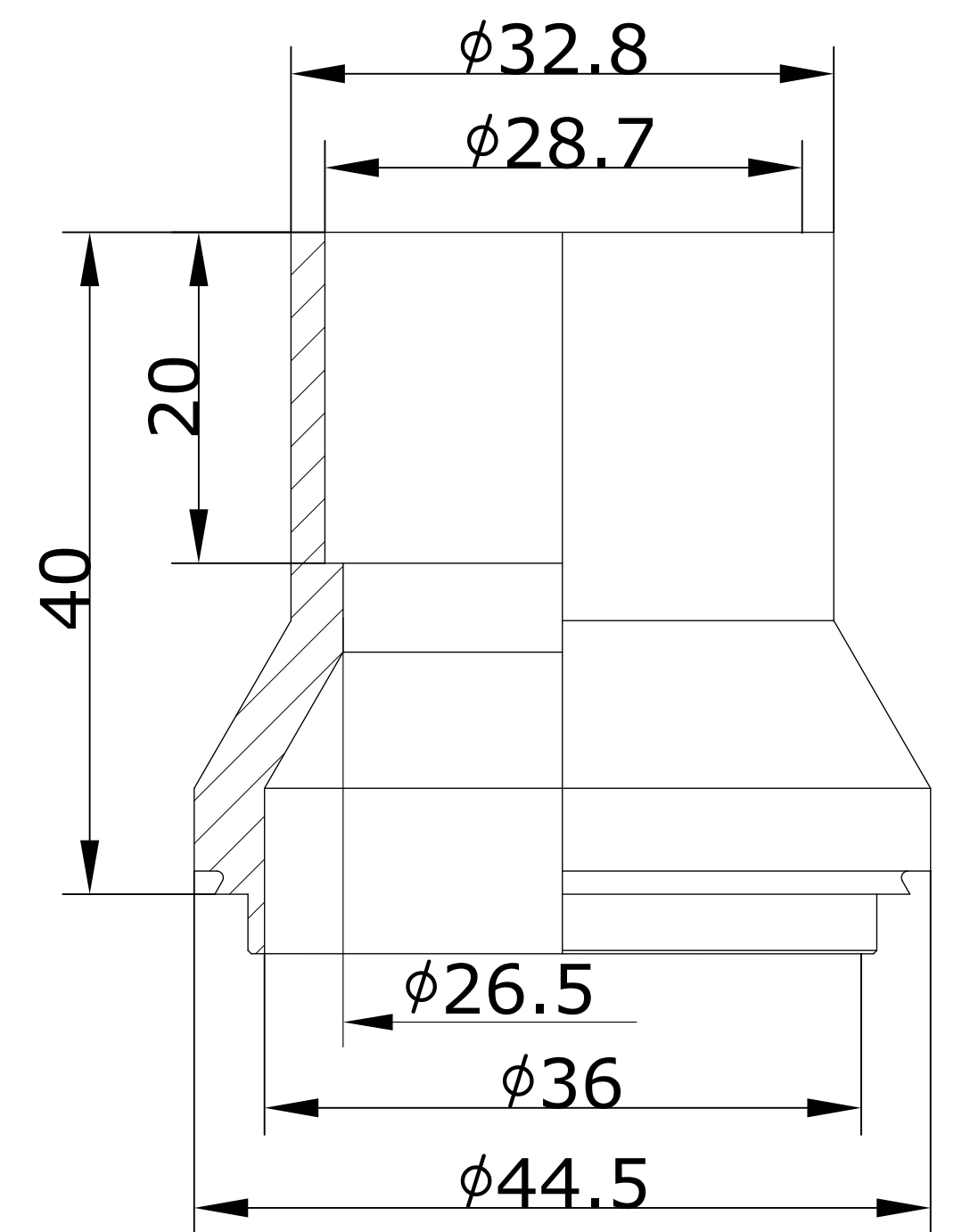
Q1-Q2
N1/2"(N104)
Thread connection



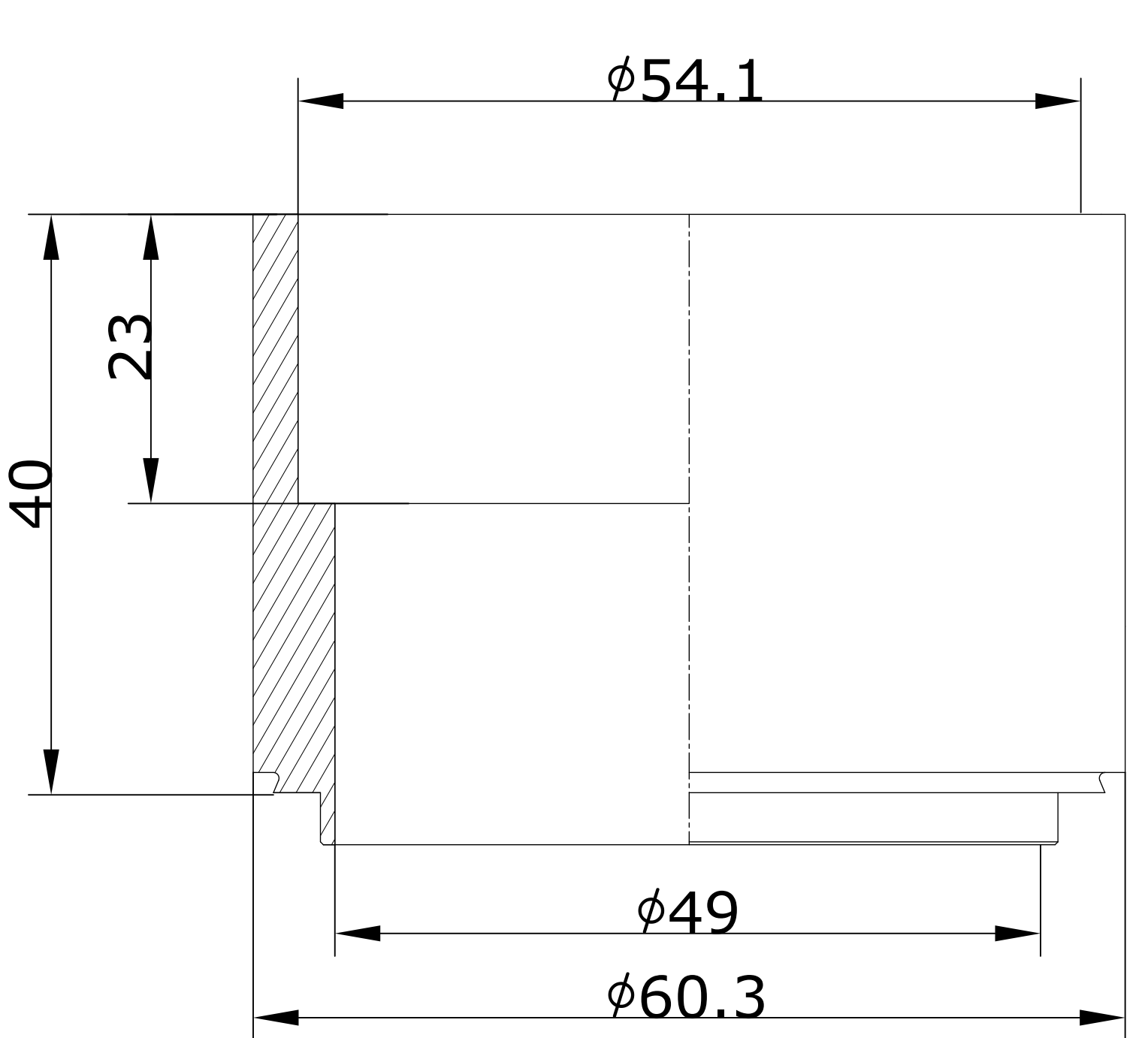
H1-H2
L2"(W520)
Thread connection



Q3
H1"1/8(H4114)
Solder connection



Q6
H2"1/8(H5212)
Solder connection



DESIGN DATA	
DESIGN PRESSURE	3.0 MPa
TEST PRESSURE	4.5 MPa
DESIGN TEMPERATURE	-196/+225
LEAKAGE TEST	Helium Test
WEIGHT	94 Kg
VOLUME	H1H2: 27.5L
	Q3Q6: 27L
PLATE MATERIAL	316L
PIPE MATERIAL	304
FRAME MATERIAL	304

Assembly drawing	DEPARTMENT	Sales Department	DATE	2024/02/18	SCALE			RD-210-110-3,0-HQ-Q3(H1"1/8) /Q6(H2"1/8)/H1H2(L2") /12-M10x25
	DESIGNER	JLN						
	INSPECTOR	ZJF						
	APPROVAL	FL						
	DRAWING NO.	23017808						REV. 0

ID	RIDAN Code	Drawing No.	Model	Plates(n)	A
1	111B0287R	23017808	210	110	295