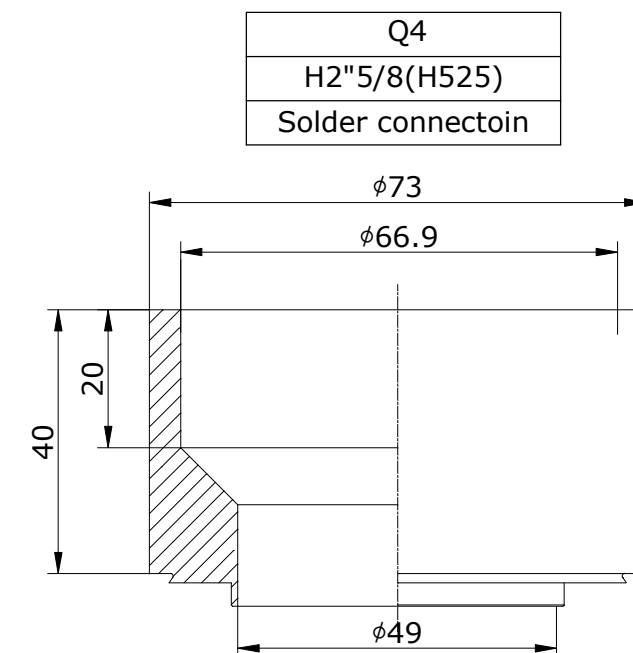
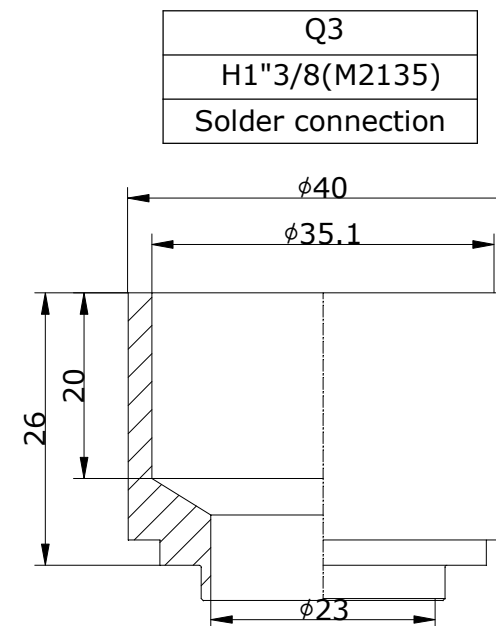
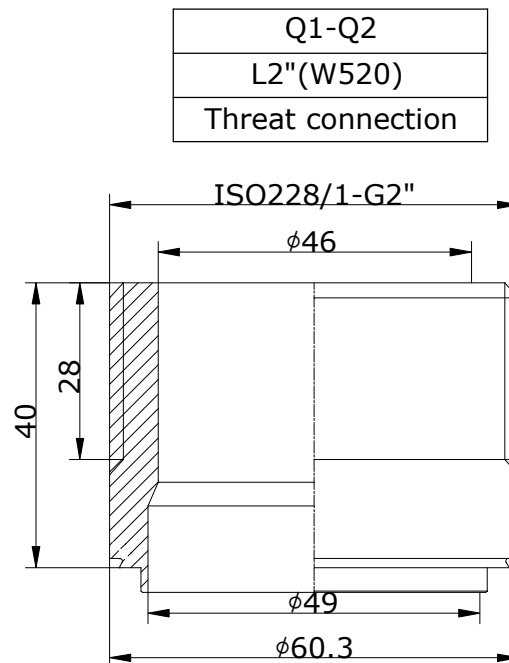
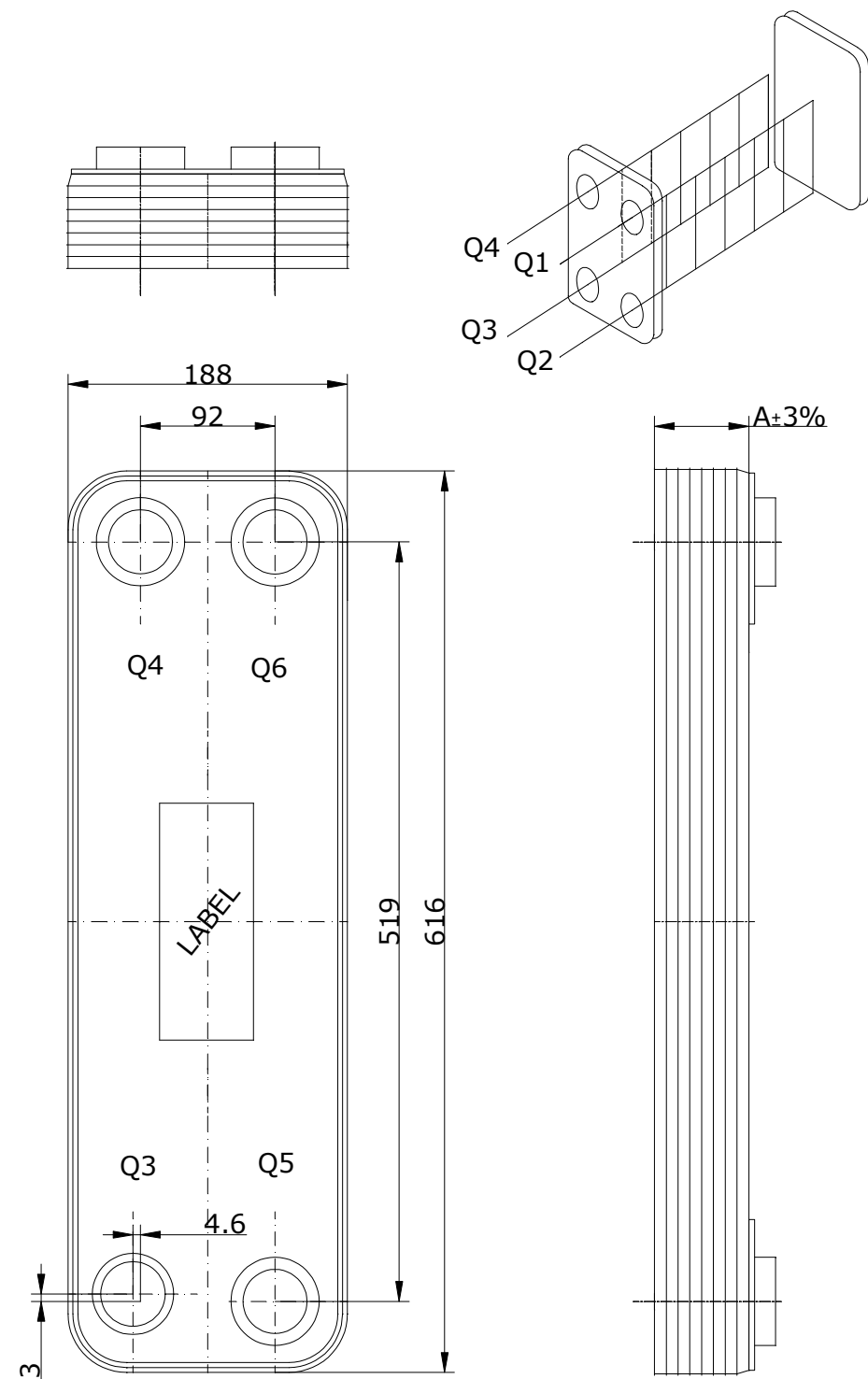


CONTROLLED



ID	RIDAN Code	Drawing No.	Model	Plates(n)	A	Weight	Volume
1	111B0467R	23021941-01	095	60	153	29.783Kg	Q3Q4:5.8L/Q1Q2:6L
2	111B0468R	23021941-02	095	70	177	33.643Kg	Q3Q4:6.8L/Q1Q2:7L
3	111B0469R	23021941-03	095	80	200	37.503Kg	Q3Q4:7.8L/Q1Q2:8L
4	111B0470R	23021941-04	095	90	224	41.363Kg	Q3Q4:8.8L/Q1Q2:9L
5	111B0471R	23021941-05	095	110	271	49.083Kg	Q3Q4:10.8L/Q1Q2:11L

		DESIGN DATA	
DESIGN PRESSURE		4.5MPa	
TEST PRESSURE		6.75MPa	
DESIGN TEMPERATURE		-196/+225	
LEAKAGE TEST		Helium Test	
PLATE MATERIAL		316L	
PIPE MATERIAL		304	
FRAME MATERIAL		304	
Assembly drawing	DEPARTMENT	Sales Department	DATE
	DESIGNER		2024/04/25
	INSPECTOR		
	APPROVAL		
		SCALE	
		DRAWING NO.	
		DESIGNATION: RD-095-n-4,5-HQ-Q1Q2 (L2")/Q3(H1"3/8)/Q4 (H2"5/8)	
		DRAWING NO.	REV. 0