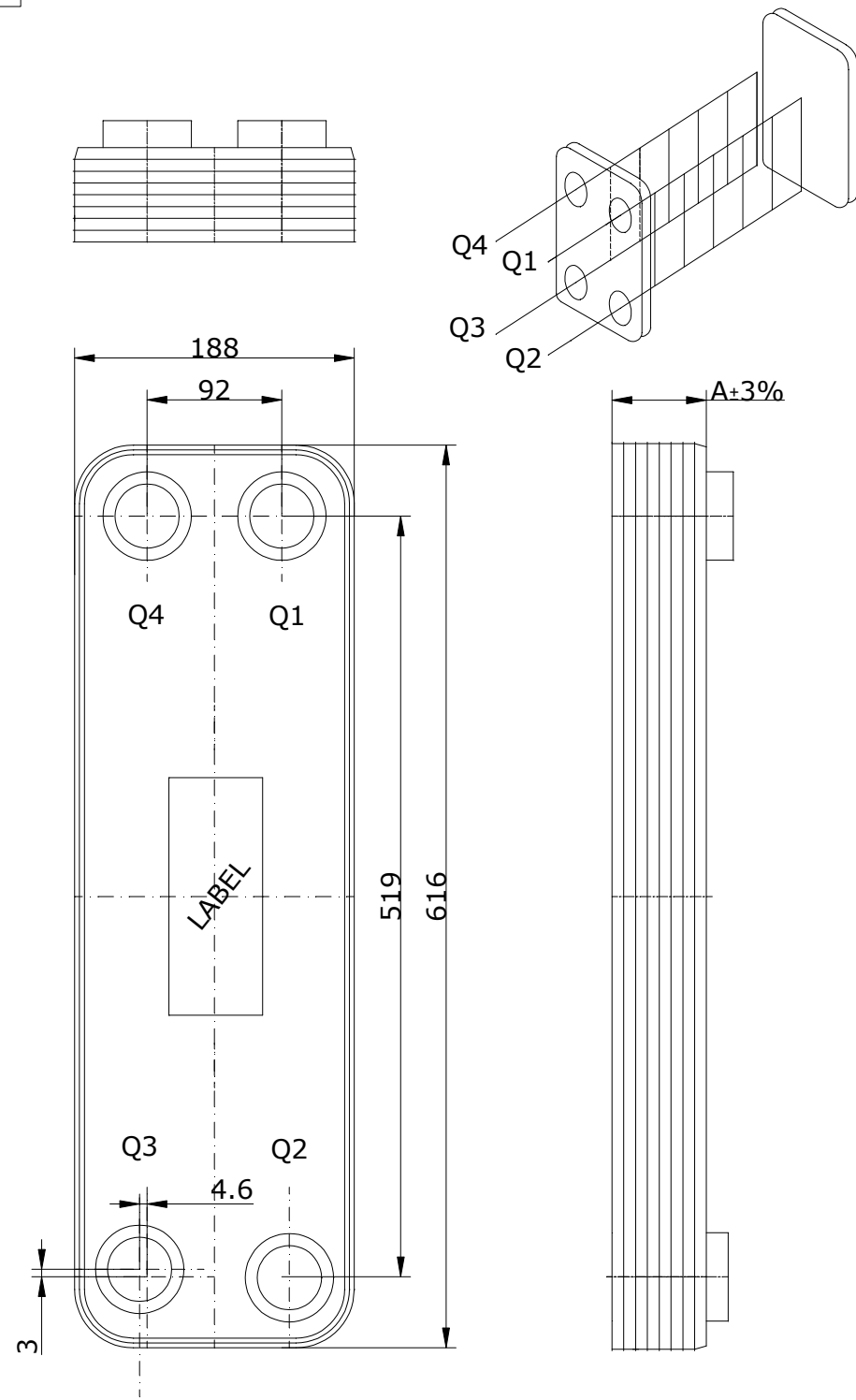
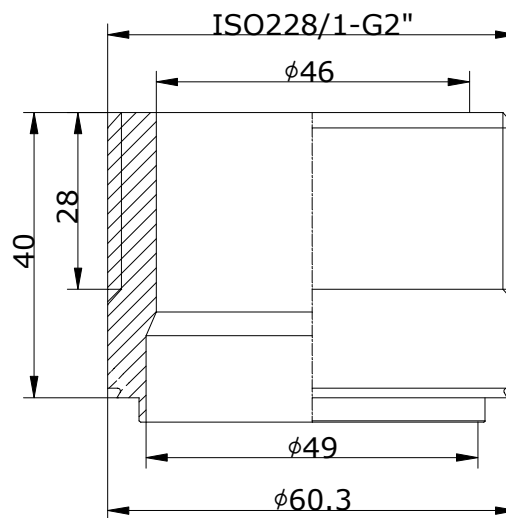


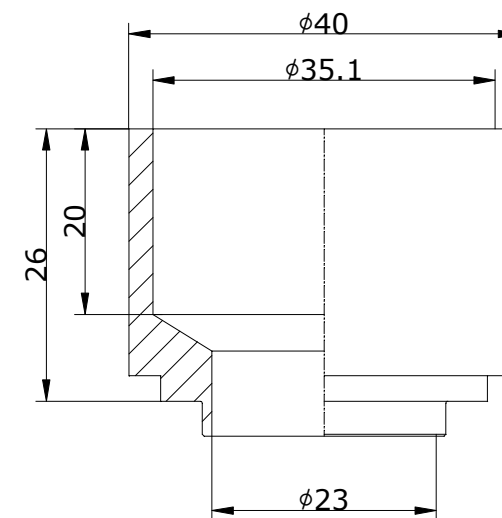
CONTROLLED



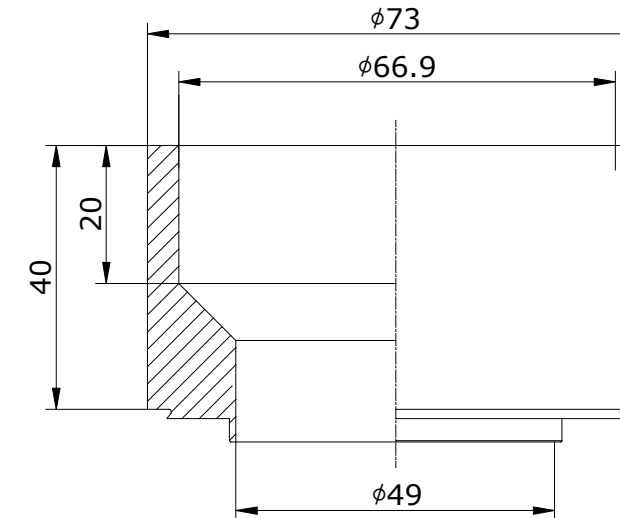
Q1-Q2
L2"(W520)
Threat connection



Q3
H1"3/8(M2135)
Solder connection



Q4
H2"5/8(H525)
Solder connectoin



ID	RIDAN Code	Drawing No.	Model	Plates(n)	A	Weight	Volume
1	111B0466R	23021940	095	80	200	36.103Kg	Q3Q4:7.8L/Q1Q2:8.0L

DESIGN DATA	
DESIGN PRESSURE	3.0MPa
TEST PRESSURE	4.5MPa
DESIGN TEMPERATURE	-196/+225
LEAKAGE TEST	Helium Test
PLATE MATERIAL	316L
PIPE MATERIAL	304
FRAME MATERIAL	304

Assembly drawing	DEPARTMENT	Sales Department	DATE	SCALE		
	DESIGNER		2025/02/03			
	INSPECTOR				DESIGNATION: RD-095-80-3,0-HQ-Q1Q2(L2") /Q3(H1"3/8)/Q4(H2"5/8)	
	APPROVAL			DRAWING NO.	23021940	REV. 0