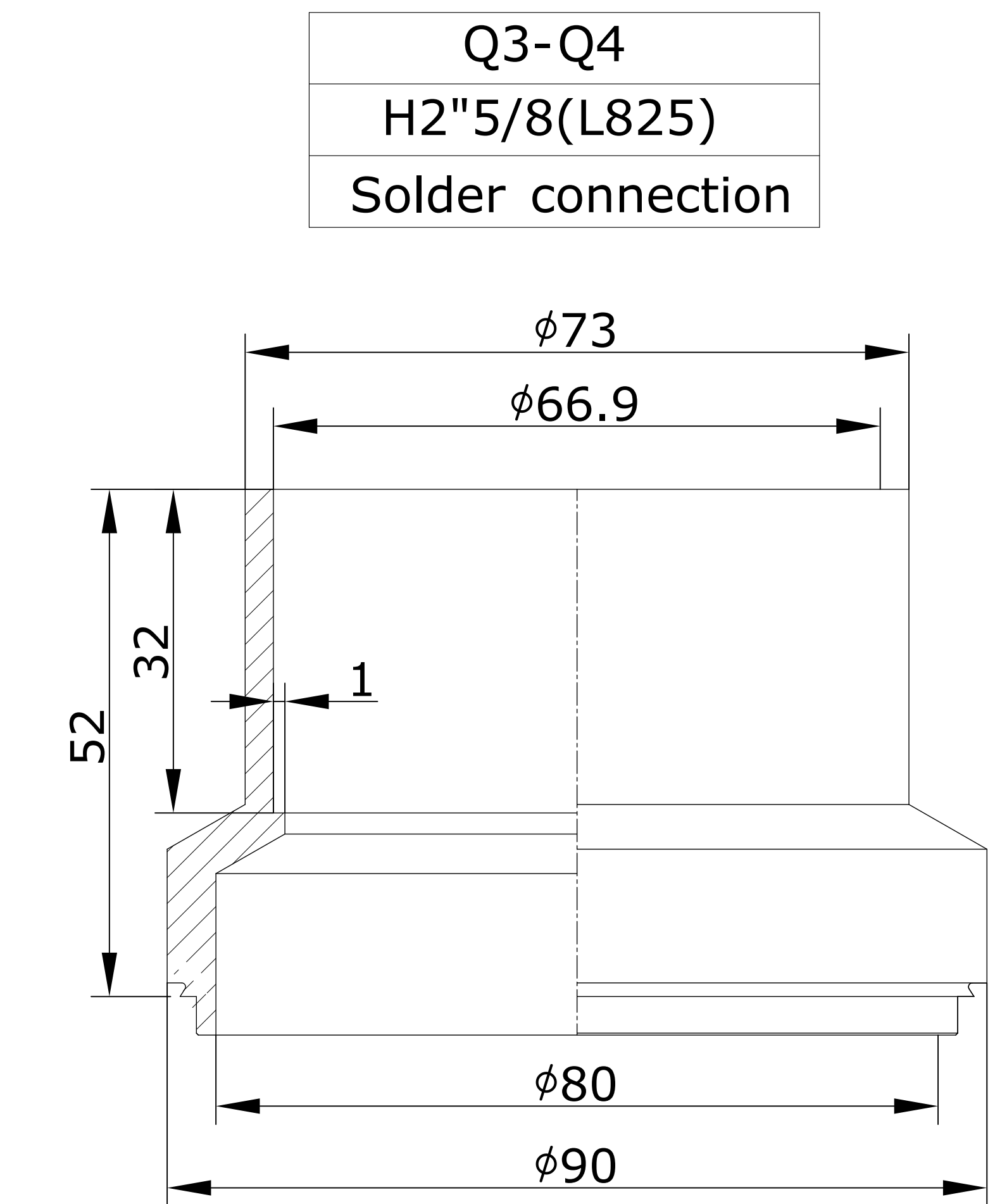
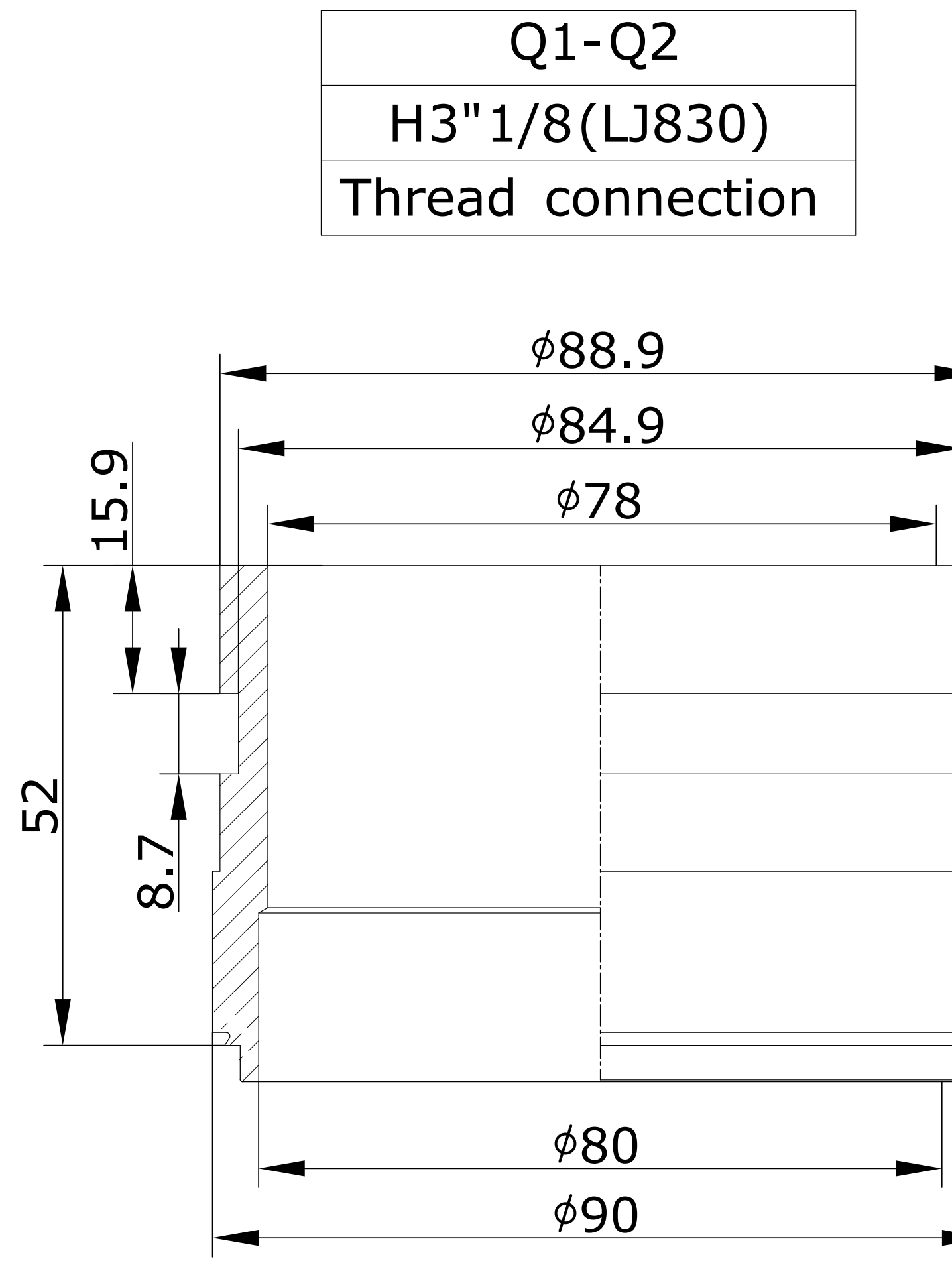
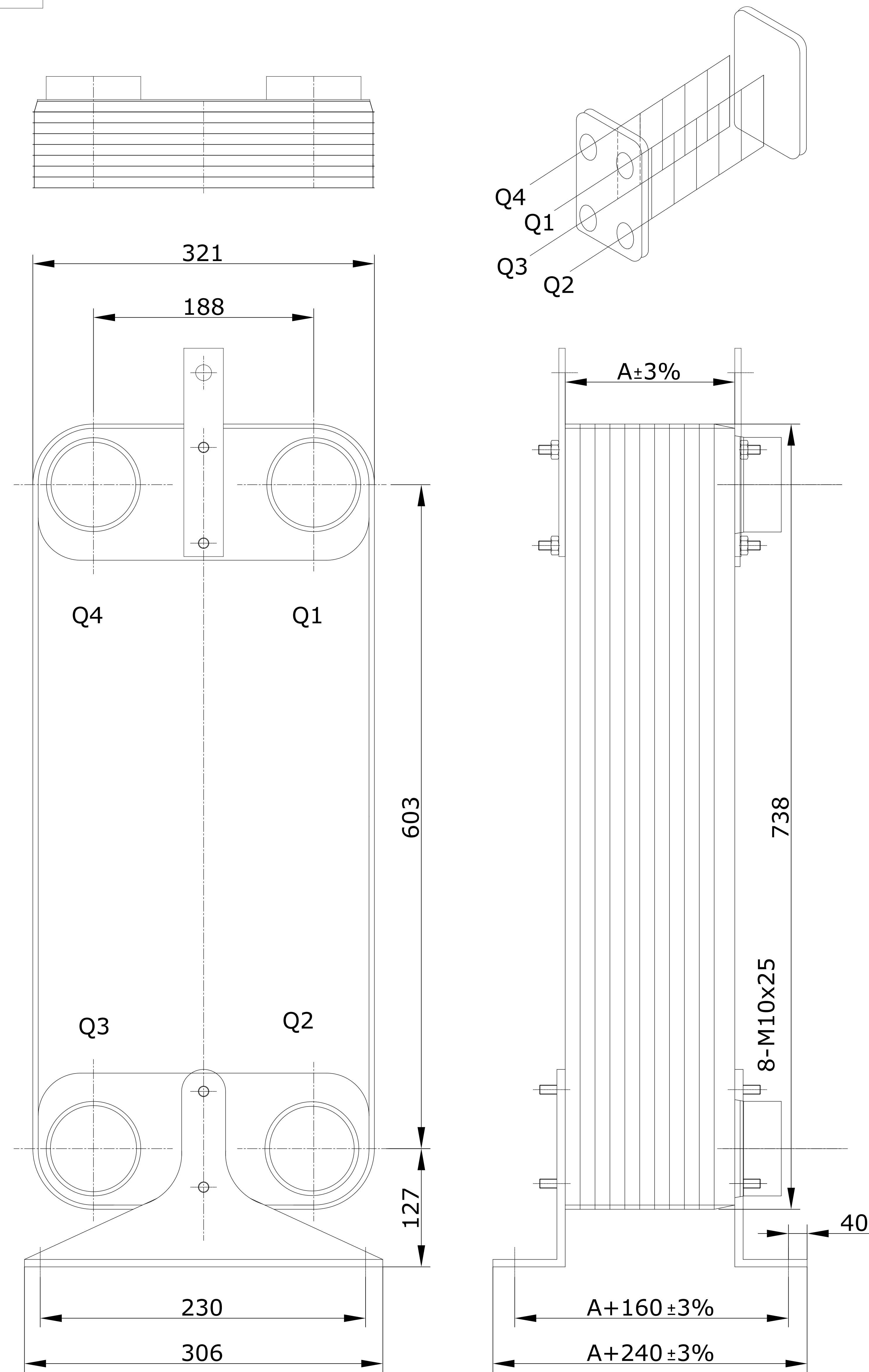

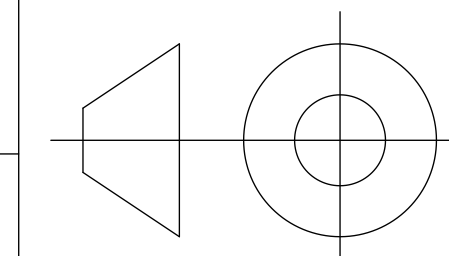


CONTROLLED



ID	RIDAN Code	Drawing No.	Model	Plates(n)	A	Weight	Volumn
1	111B0397R	23020358-01	200	50	150	52Kg	Q1Q2:13.50L/Q3Q4:12.96L
2	111B0398R	23020358-02	200	60	177	59Kg	Q1Q2:16.20L/Q3Q4:15.66L
3	111B0399R	23020358-03	200	70	205	66Kg	Q1Q2:18.90L/Q3Q4:18.36L
4	111B0400R	23020358-04	200	80	232	73Kg	Q1Q2:21.60L/Q3Q4:21.06L
5	111B0401R	23020358-05	200	90	260	80Kg	Q1Q2:24.30L/Q3Q4:23.76L
6	111B0402R	23020358-06	200	100	287	87Kg	Q1Q2:27.00L/Q3Q4:26.46L
7	111B0403R	23020358-07	200	110	315	94Kg	Q1Q2:29.70L/Q3Q4:29.16L
8	111B0404R	23020358-08	200	120	342	101Kg	Q1Q2:32.40L/Q3Q4:31.86L
9	111B0405R	23020358-09	200	130	370	108Kg	Q1Q2:35.10L/Q3Q4:34.56L
10	111B0406R	23020358-10	200	140	397	115Kg	Q1Q2:37.80L/Q3Q4:37.26L

DESIGN DATA	
DESIGN PRESSURE	3.0MPa
TEST PRESSURE	4.5MPa
DESIGN TEMPERATURE	-196/+225
LEAKAGE TEST	Helium Test
PLATE MATERIAL	316L
PIPE MATERIAL	304
FRAME MATERIAL	304

Assembly drawing	DEPARTMENT	Sales Department	DATE	SCALE	 DESIGNATION: RD-200-n-3,0-H-Q1Q2(H3"1/8)/Q3Q4(H2"5/8)/8- M10*25	
	DESIGNER	JLN	2024/10/17			
	INSPECTOR	ZJF				
	APPROVAL			DRAWING NO.		23020358