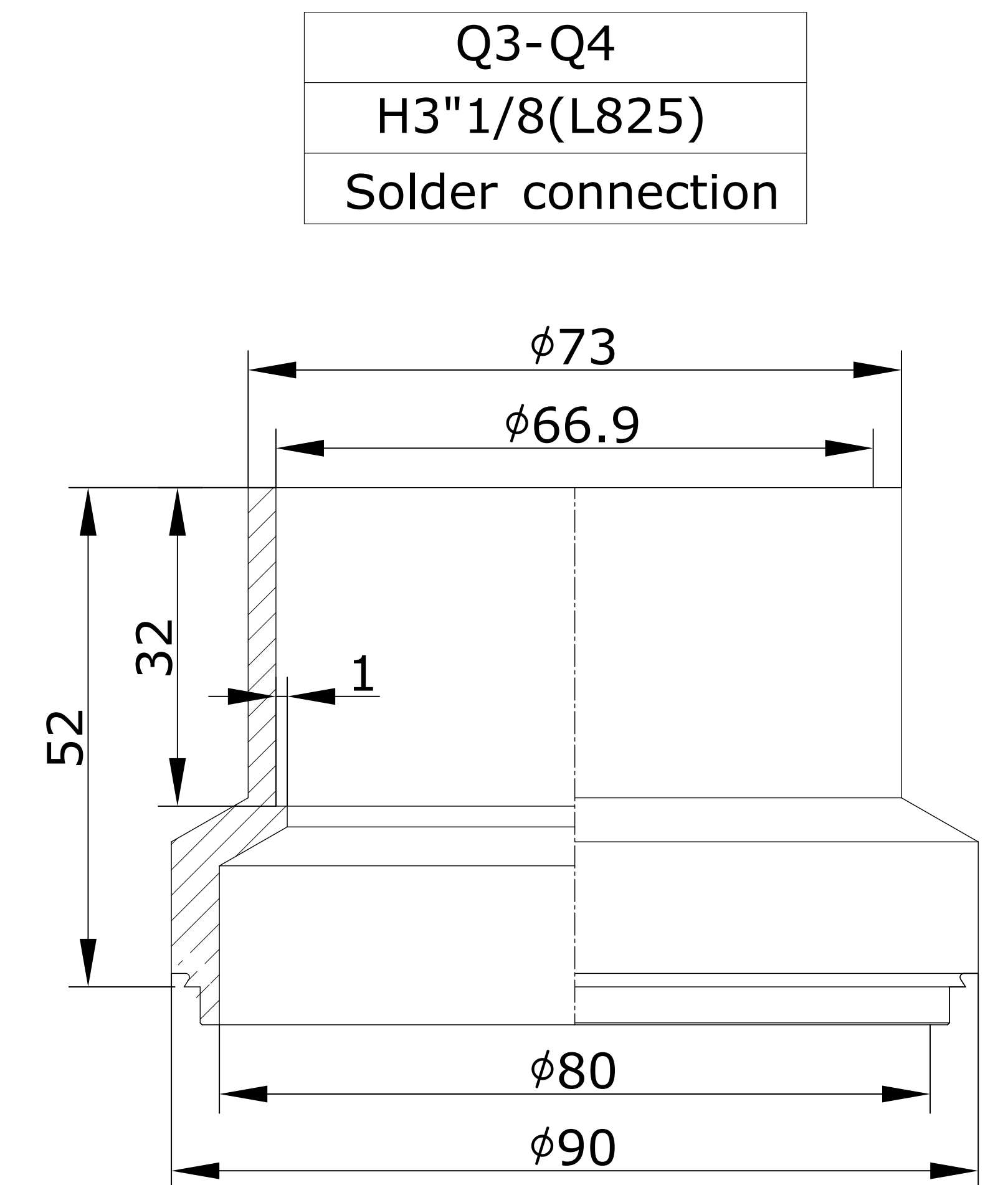
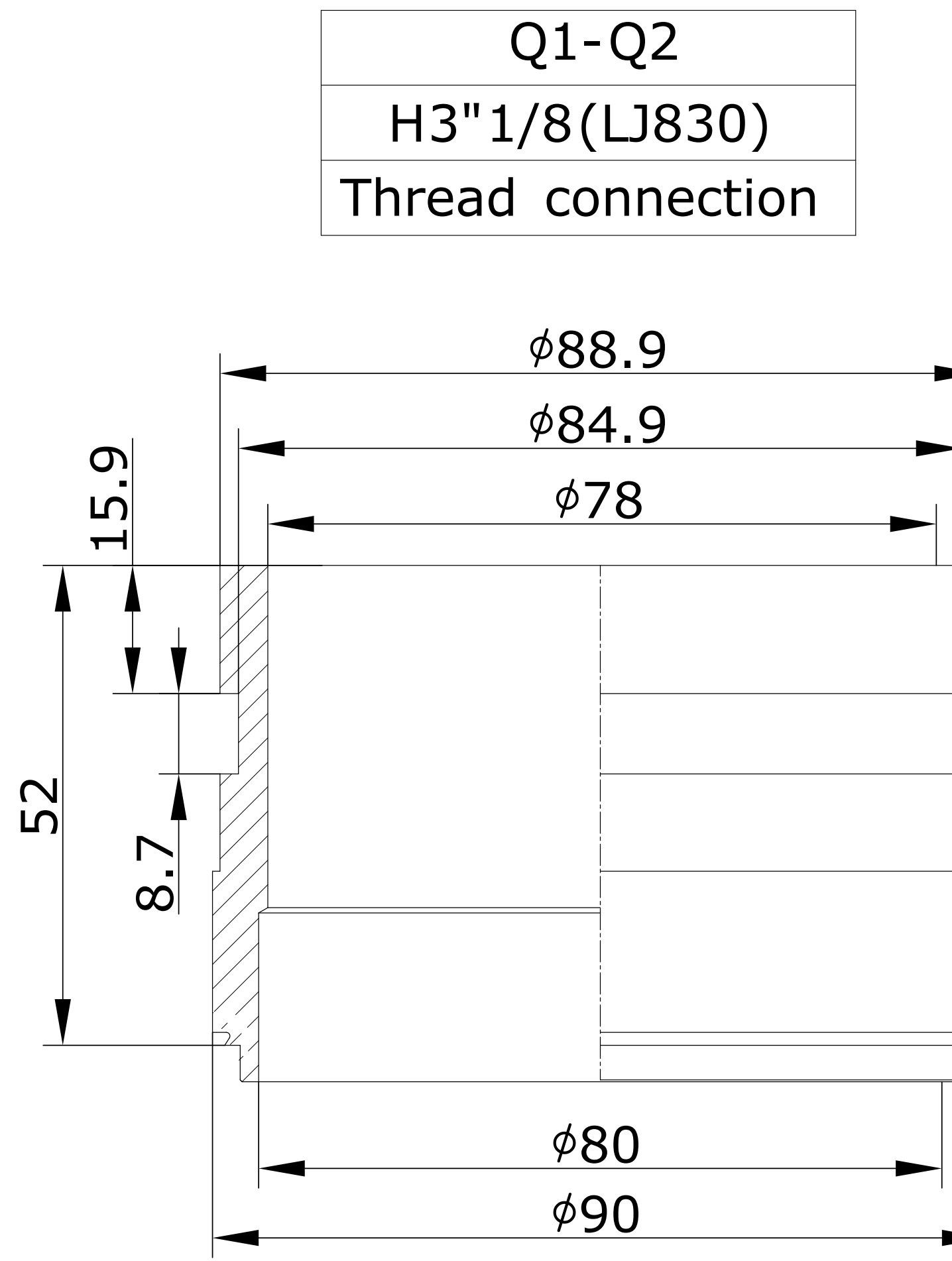
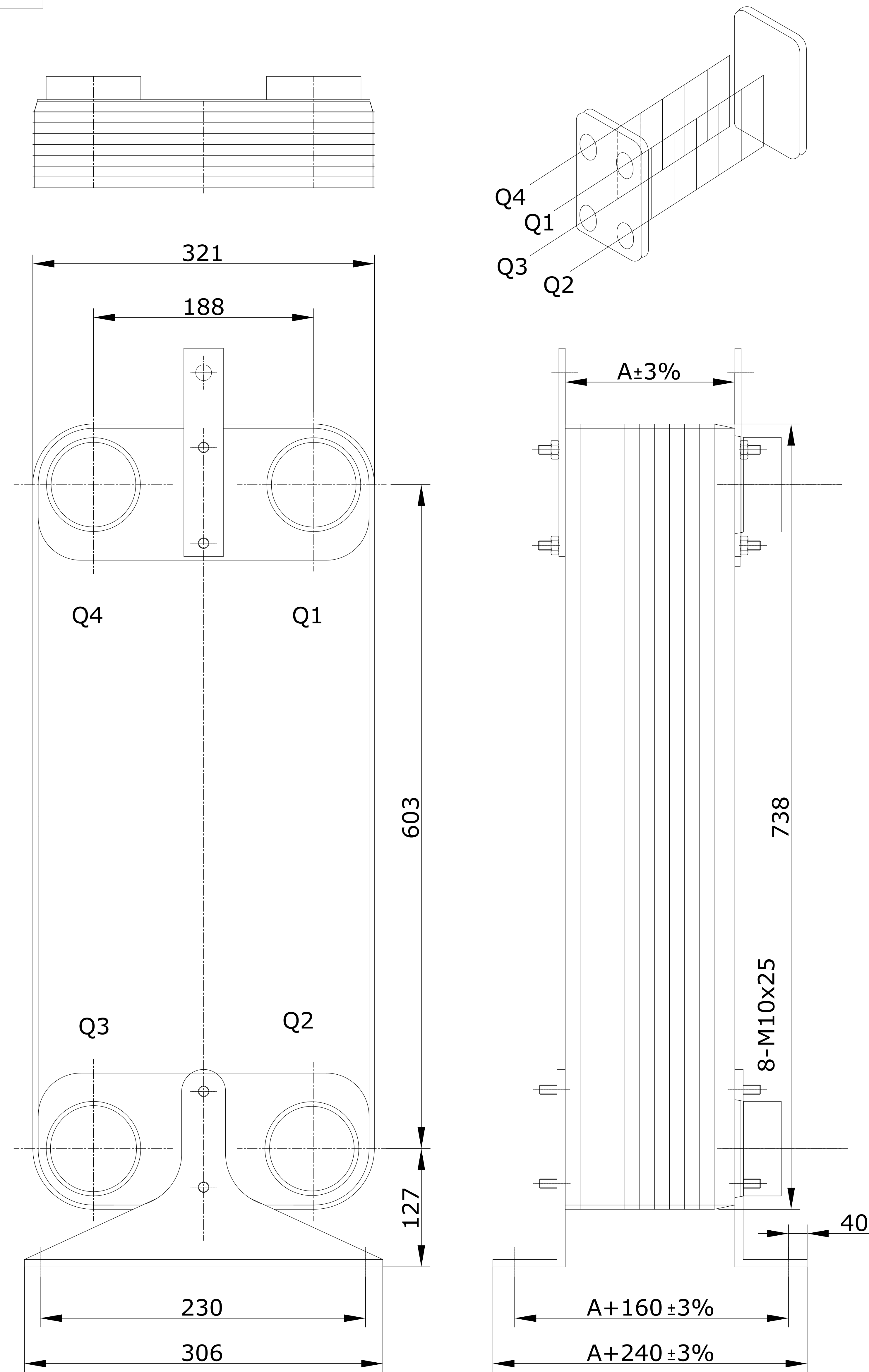

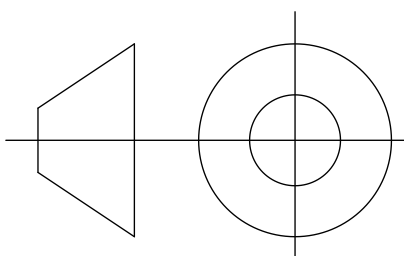


CONTROLLED



ID	RIDAN Code	Drawing No.	Model	Plates(n)	A	Weight	Volumn
1	111B0407R	23020361-01	200	150	425	122Kg	Q1Q2:40.50L/Q3Q4:39.96L
2	111B0408R	23020361-02	200	160	452	129Kg	Q1Q2:43.20L/Q3Q4:42.66L
3	111B0409R	23020361-03	200	170	480	136Kg	Q1Q2:45.90L/Q3Q4:45.36L
4	111B0410R	23020361-04	200	180	507	143Kg	Q1Q2:48.60L/Q3Q4:48.06L
5	111B0411R	23020361-05	200	190	535	150Kg	Q1Q2:51.30L/Q3Q4:50.76L
6	111B0412R	23020361-06	200	200	562	157Kg	Q1Q2:54.00L/Q3Q4:53.46L
7	111B0413R	23020361-07	200	210	590	164Kg	Q1Q2:56.70L/Q3Q4:56.16L
8	111B0414R	23020361-08	200	220	617	171Kg	Q1Q2:59.00L/Q3Q4:58.86L

		DESIGN DATA			
DESIGN PRESSURE		3.0MPa			
TEST PRESSURE		4.5MPa			
DESIGN TEMPERATURE		-196/+225			
LEAKAGE TEST		Helium Test			
PLATE MATERIAL		316L			
PIPE MATERIAL		304			
FRAME MATERIAL		304			
Assembly drawing	DEPARTMENT	Sales Department	DATE	SCALE	 DESIGNATION: RD-200-n-3,0-H-Q1Q2(H3"1/8)/Q3Q4(H3"1/8)/8- M10*25
	DESIGNER	JLN	2024/10/17		
	INSPECTOR	ZJF			
	APPROVAL				
		DRAWING NO.	23020361	REV	1