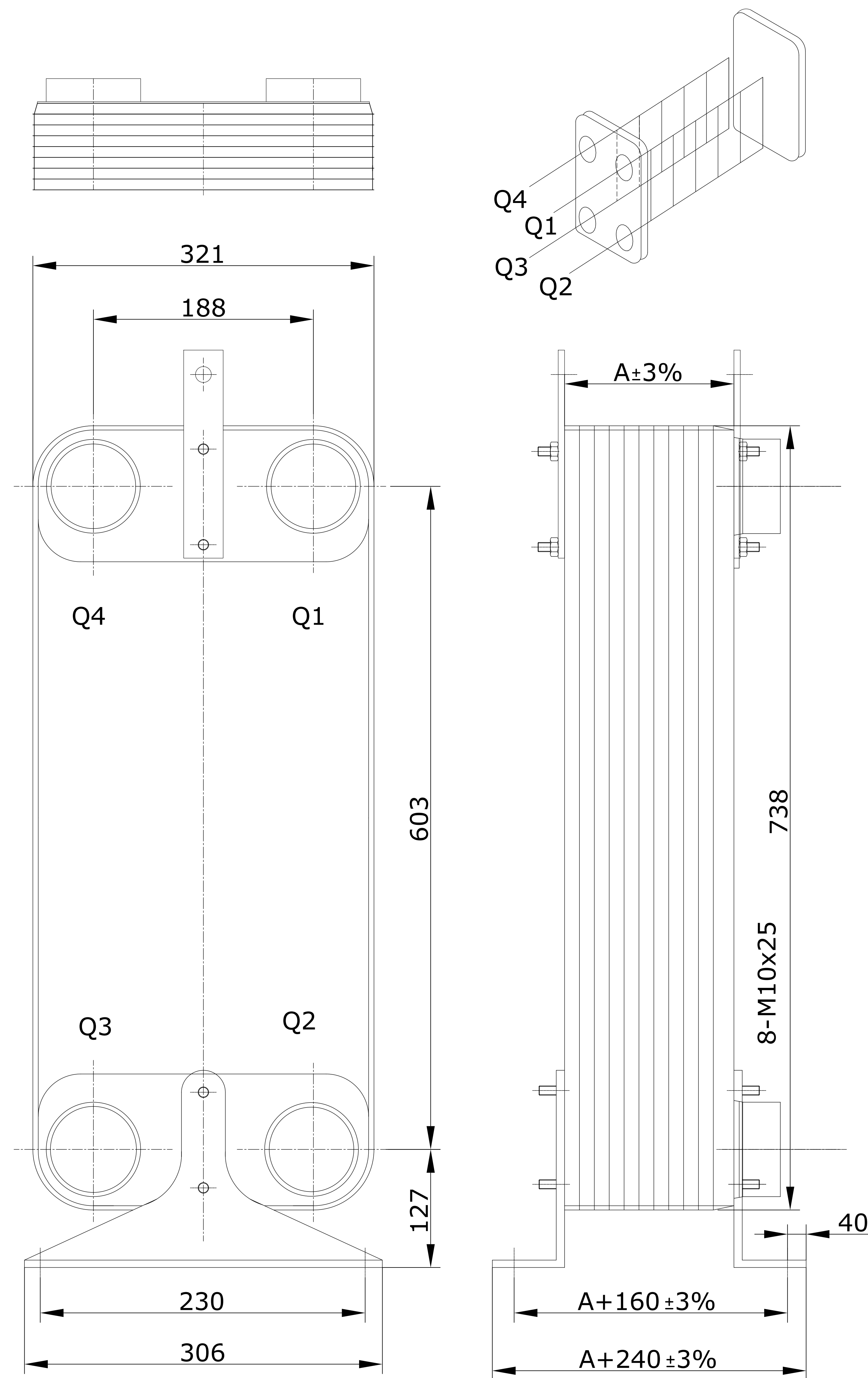
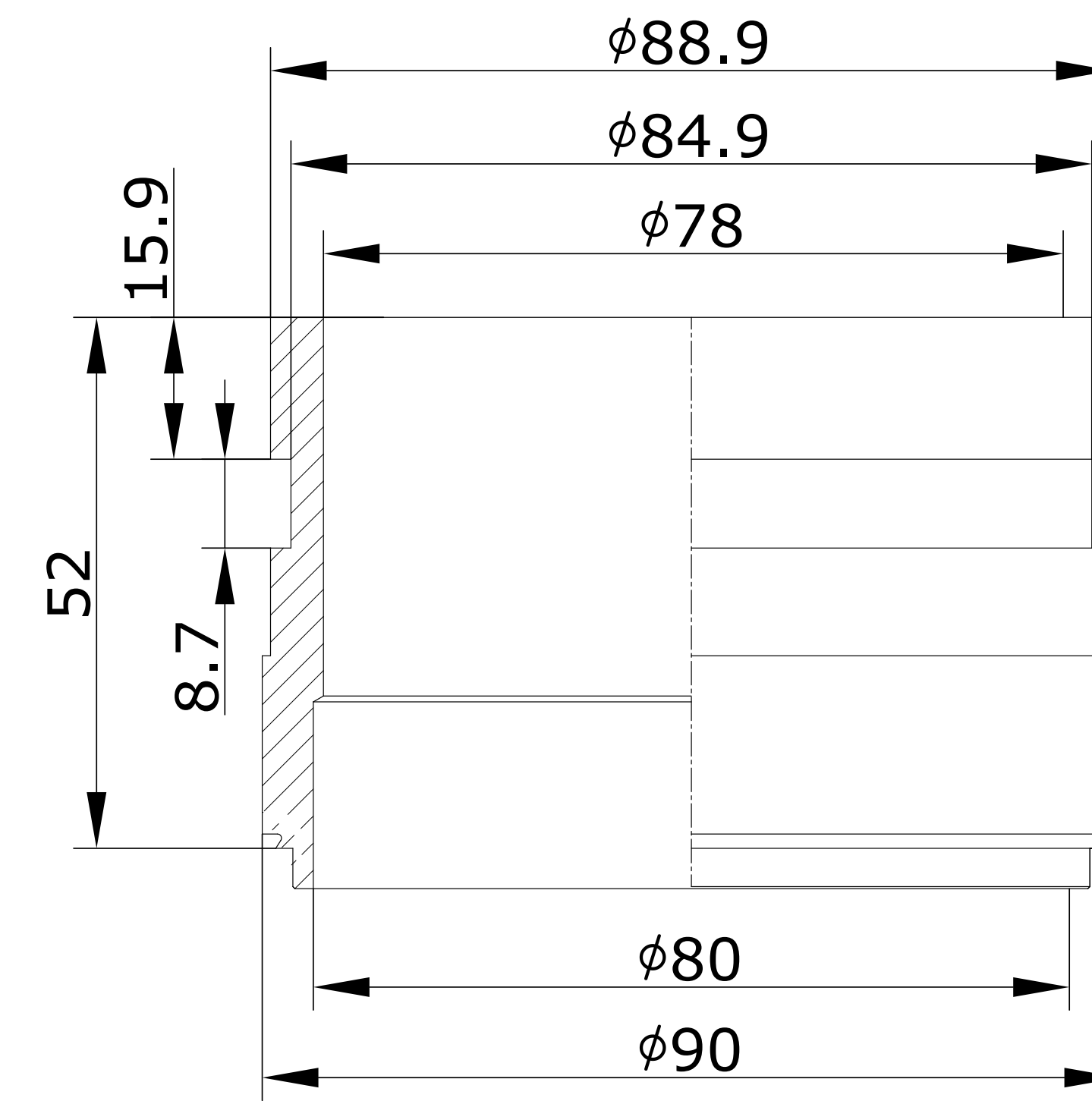


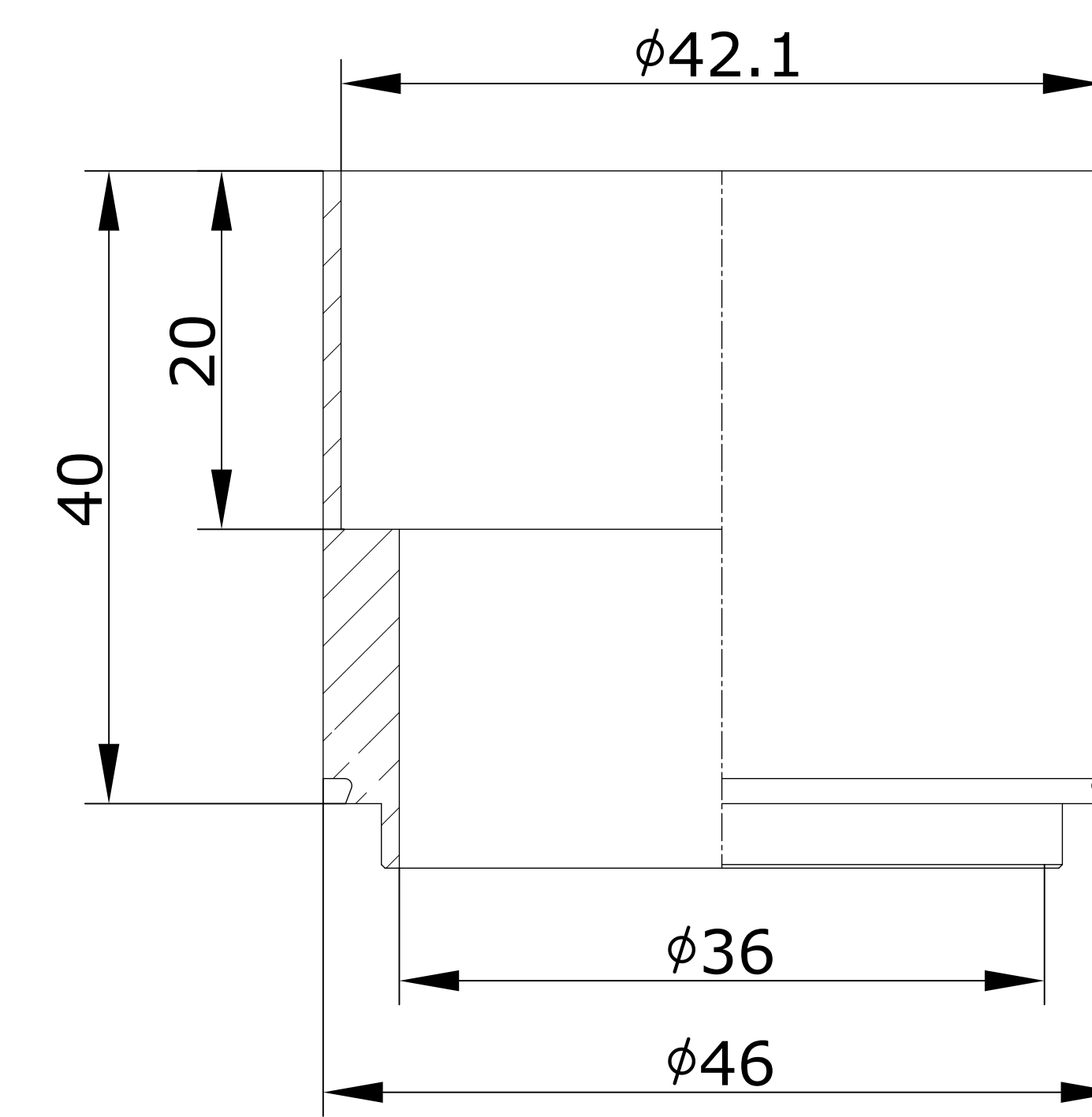
CONTROLLED



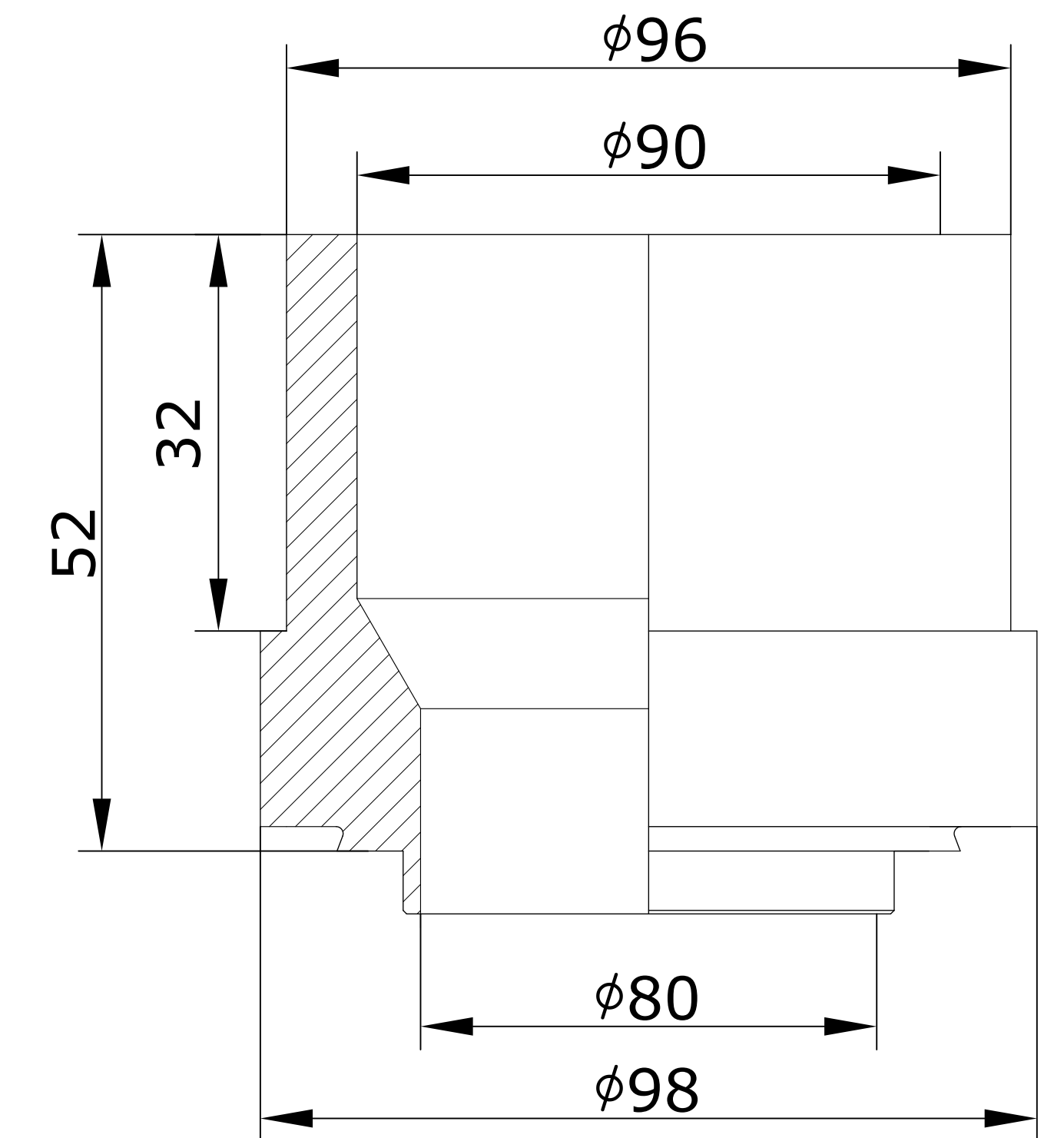
Q1-Q2
H3"1/8(LJ830)
Victaulic connection



Q3
H1"5/8(H4152)
Solder connection



Q4
H3"1/8(L834)
Solder connection



ID	RIDAN Code	Drawing No.	Model	Plates(n)	A
1	111B0458R	23020364	200	300	854

DESIGN DATA	
DESIGN PRESSURE	3.0MPa
TEST PRESSURE	4.5MPa
DESIGN TEMPERATURE	-196/+225
LEAKAGE TEST	Helium Test
WEIGHT	226.5Kg
VOLUMN	Q1Q2: 81.00L
	Q3Q6: 80.46L
PLATE MATERIAL	316L
PIPE MATERIAL	304
FRAME MATERIAL	304

Assembly drawing	DEPARTMENT	Sales Department	DATE	2024/10/17	SCALE			
	DESIGNER	JLN					RD-200-300-3,0-H-Q3(H1"5/8)/ DESIGNATION: Q4(H3"1/8)/Q1Q2(H3"1/8)/ 8-M10*25	
	INSPECTOR	ZJF						
	APPROVAL					DRAWING NO.	23020364	REV 1